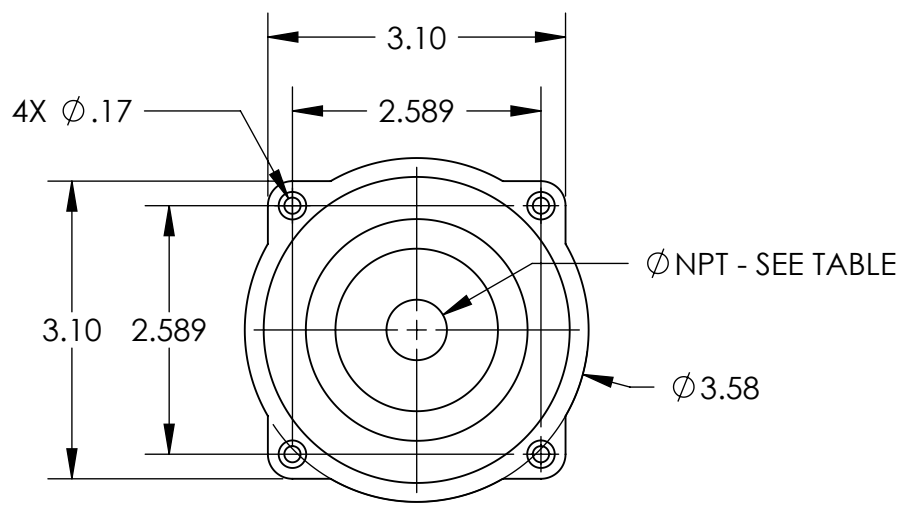
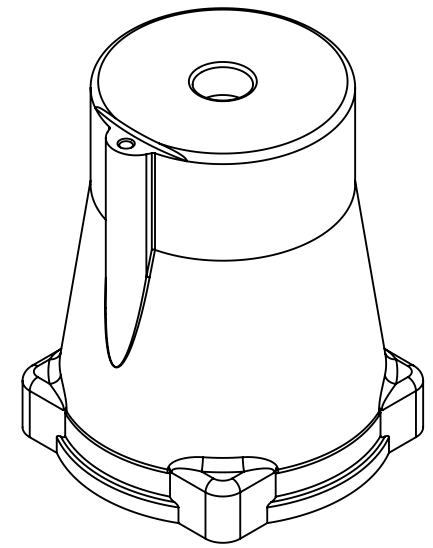
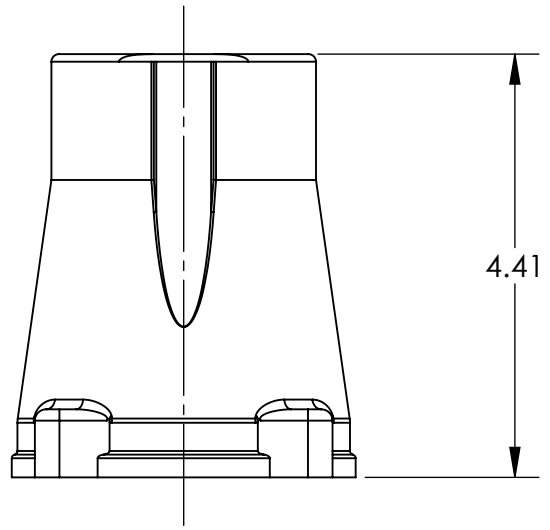


This drawing is the property of MELTRIC Corporation, Franklin (Milwaukee) Wisconsin, USA. Any unauthorized copying of this drawing by any means, ENG/RD/06 REV: 20 ISSUED DATE: 1/15/11 or disclosure of its contents to any person not authorized by MELTRIC Corporation or its agents to receive it, is strictly prohibited.



PART NUMBER	THREAD SIZE
6PH12	1/2" NPT
6PH34	3/4" NPT
6PH1	1" NPT
6PH114	1-1/4" NPT
6PH112	1-1/2" NPT

TOLERANCES UNLESS OTHERWISE SPECIFIED				<b>ENGLISH</b> 0.X ±0.05 0.XX ±0.01 0.XXX ±0.005	
MACHINED SURFACES $\sqrt{125}$ MAX					
GROUND SURFACES $\sqrt{32}$ MAX		DATE:		SCALE	MATERIAL:
ANGLE TOLERANCE ±1°				NTS	BLUE POLY
REMOVE BURRS & SHARP EDGES TO .015 MAX.					
DIMENSIONS SHOWN IN OVALS ARE INSPECTION DIMENSIONS.		SHEET: 1 OF 1		PART NUMBER 6PHXX	REVISION