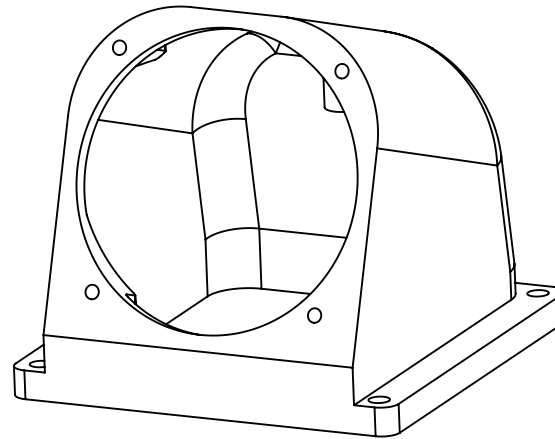
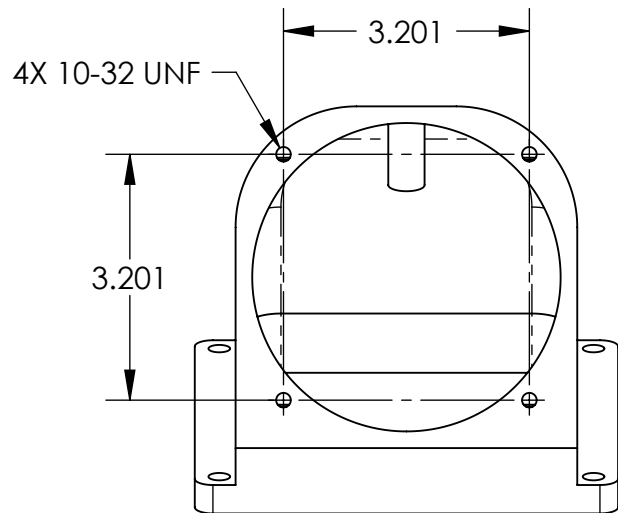
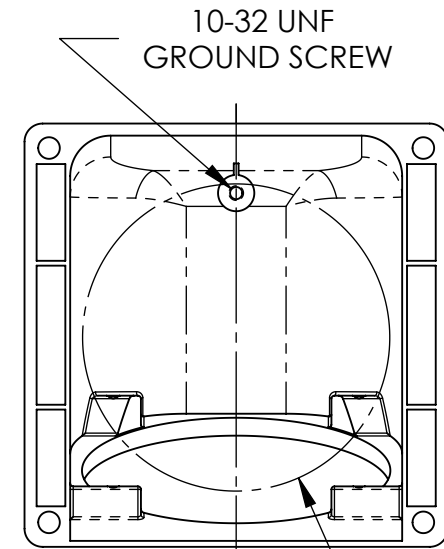
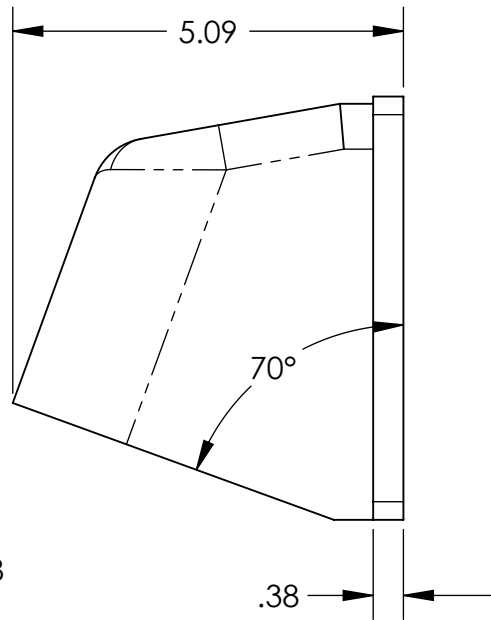
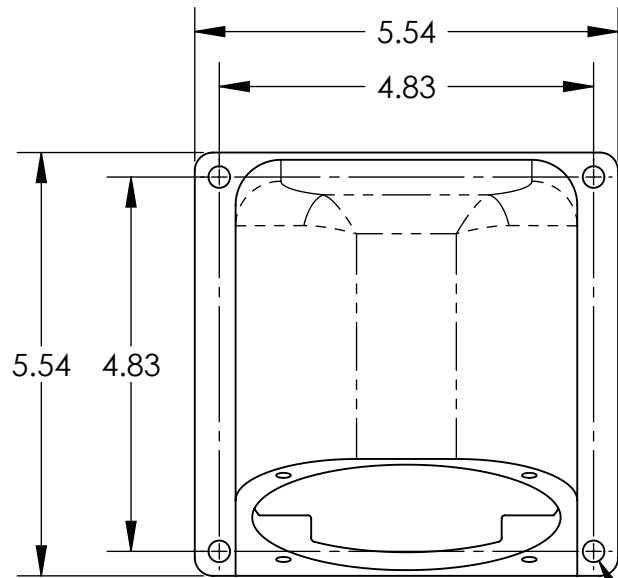
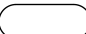


This drawing is the property of MELTRIC Corporation, Franklin (Milwaukee) Wisconsin, USA. Any unauthorized copying of this drawing by any means, ENG/RD/06 REV: 20 ISSUED DATE: 1/15/11 or disclosure of its contents to any person not authorized by MELTRIC Corporation or its agents to receive it, is strictly prohibited.



| TOLERANCES UNLESS OTHERWISE SPECIFIED  |  | DRAWN            |          | APPROVED |  | DRAWING TITLE: |  |
|--|--|------------------|----------|----------|--|----------------|--|
| MACHINED SURFACES $\sqrt[125]{\text{MAX}}$   | ENGLISH  | DATE:            |          | SCALE    |  | MATERIAL:      |  |
| GROUND SURFACES $\sqrt[32]{\text{MAX}}$  |  |                  |          |          |  |                |  |
| ANGLE TOLERANCE $\pm 1^\circ$  | 0.X $\pm 0.05$<br>0.XX $\pm 0.01$<br>0.XXX $\pm 0.005$ | SHEET:<br>1 OF 1 |          | NTS      |  | PAINTED METAL  |  |
| REMOVE BURRS & SHARP EDGES TO .015 MAX.  |  |                  |          |          |  |                |  |
|  DIMENSIONS SHOWN IN OVALS ARE INSPECTION DIMENSIONS. | PART NUMBER  |                  | REVISION |          |  |                |  |
|  | 89-9A027   |                  |          |          |  |                |  |