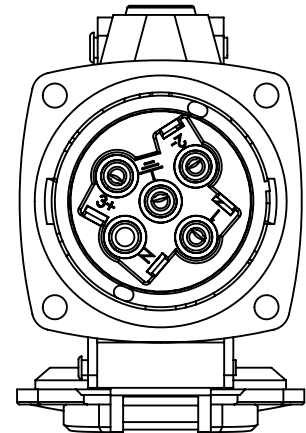
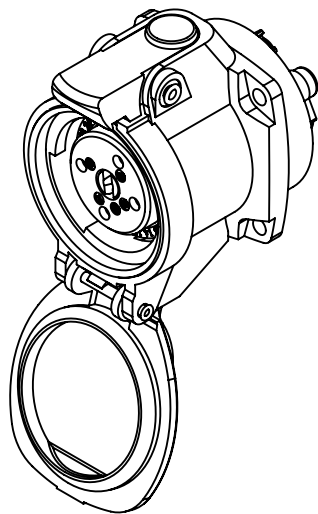
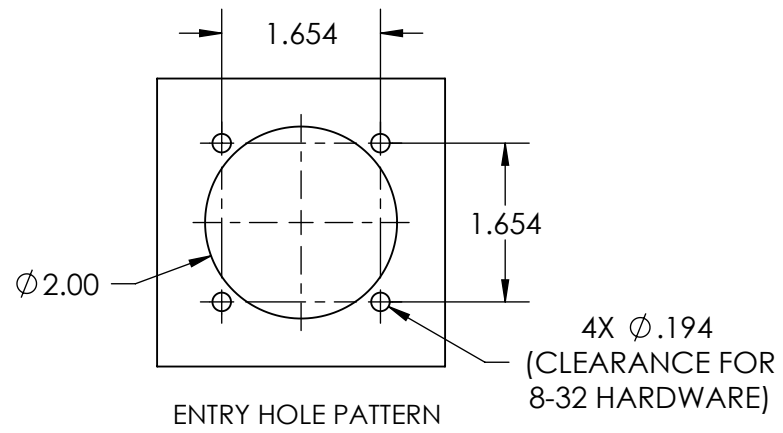
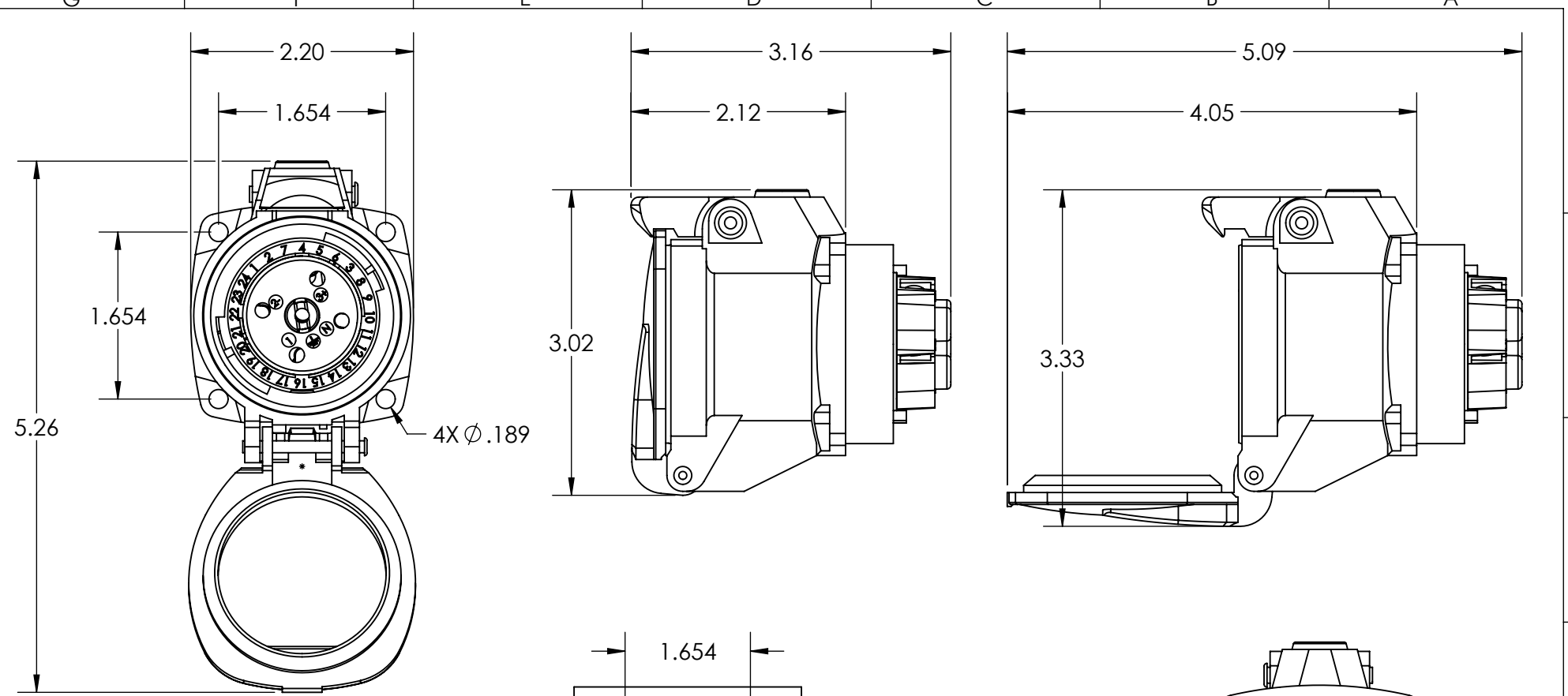


This drawing is the property of MELTRIC Corporation, Franklin (Milwaukee), Wisconsin, USA. Any unauthorized copying of this drawing by any means, ENG/RD/06 REV: 20 ISSUED DATE: 1/15/11 or disclosure of its contents to any person not authorized by MELTRIC Corporation or its agents to receive it, is strictly prohibited.



TOLERANCES UNLESS OTHERWISE SPECIFIED				<b>ENGLISH</b> 0.X ±0.05 0.XX ±0.01 0.XXX ±0.005	
MACHINED SURFACES $\sqrt{125}$ MAX					
GROUND SURFACES $\sqrt{32}$ MAX		DATE:		DSN20 RECEPTACLE	
ANGLE TOLERANCE ±1°		SHEET:		SCALE	MATERIAL:
REMOVE BURRS & SHARP EDGES TO .015 MAX.		1 OF 1		NTS	BLUE POLY CASING
DIMENSIONS SHOWN IN OVALS ARE INSPECTION DIMENSIONS.		PART NUMBER		REVISION	
		63-14xxx			