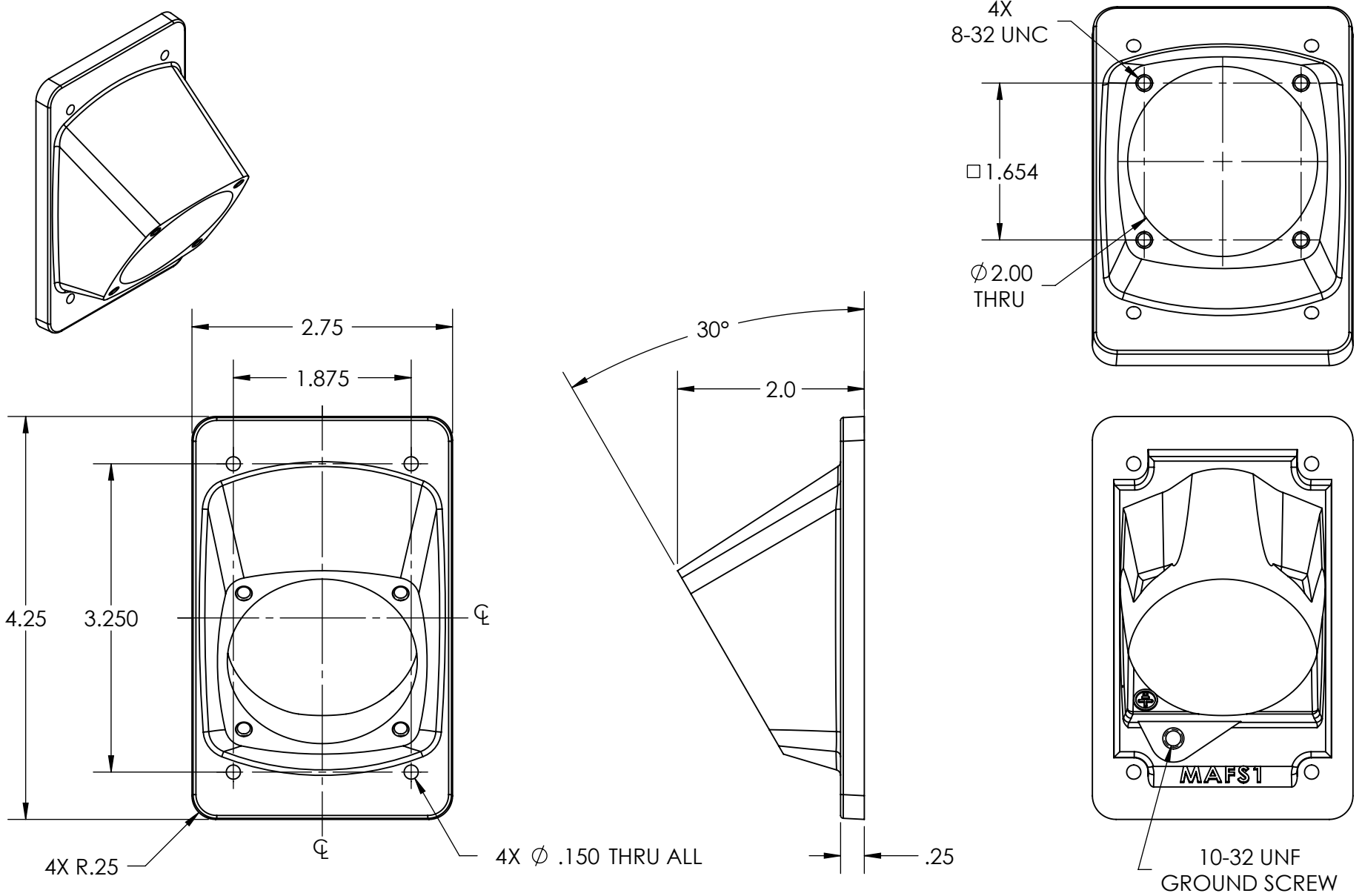
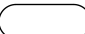



This drawing is the property of MELTRIC Corporation, Franklin (Milwaukee) Wisconsin, USA. Any unauthorized copying of this drawing by any means, ENG/RD/06 REV: 20 ISSUED DATE: 11/15/11 or disclosure of its contents to any person not authorized by MELTRIC Corporation or its agents to receive it, is strictly prohibited.



- NOTES:
 1. MELTRIC TO SUPPLY HARDWARE:
 4M8-32X1/2-SW.
 4MF6-32X3/4.

TOLERANCES UNLESS OTHERWISE SPECIFIED	
MACHINED SURFACES	ENGLISH 0.X ±0.05 0.XX ±0.01 0.XXX ±0.005
GROUND SURFACES	
ANGLE TOLERANCE ±1°	
REMOVE BURRS & SHARP EDGES TO .015 MAX.	
 DIMENSIONS SHOWN IN OVALS ARE INSPECTION DIMENSIONS.	

		MELTRIC CORPORATION	
DRAWN	APPROVED	DRAWING TITLE: 30° METAL ANGLE FOR SINGLE FS/FD BOX	
DATE:	SCALE NTS	MATERIAL: PAINTED METAL	
SHEET: 1 OF 1	MAFS1	PART NUMBER	REVISION