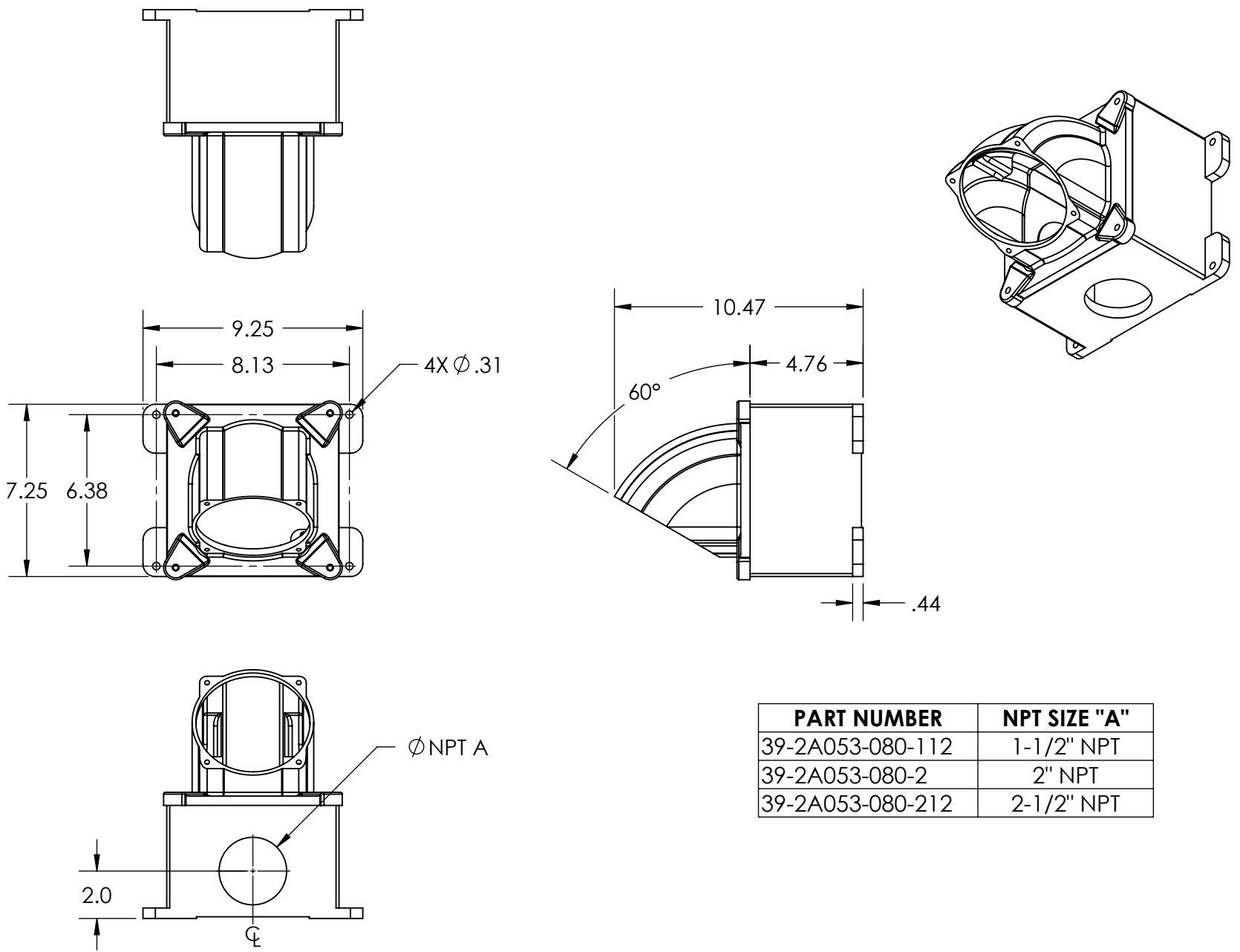


This drawing is the property of MELTRIC Corporation, Franklin (Milwaukee) Wisconsin, USA. Any unauthorized copying of this drawing by any means, ENG/RD/06 REV: 20 ISSUED DATE: 1/15/11 or disclosure of its contents to any person not authorized by MELTRIC Corporation or its agents to receive it, is strictly prohibited.



PART NUMBER	NPT SIZE "A"
39-2A053-080-112	1-1/2" NPT
39-2A053-080-2	2" NPT
39-2A053-080-212	2-1/2" NPT

TOLERANCES UNLESS OTHERWISE SPECIFIED				
MACHINED SURFACES $\sqrt[125]{\text{MAX}}$ GROUND SURFACES $\sqrt[32]{\text{MAX}}$ ANGLE TOLERANCE $\pm 1^\circ$ REMOVE BURRS & SHARP EDGES TO .015 MAX.	<b>ENGLISH</b> 0.X $\pm 0.05$ 0.XX $\pm 0.01$ 0.XXX $\pm 0.005$			DRAWING TITLE: <b>METAL BOX/METAL ANGLE COMBO</b>
DIMENSIONS SHOWN IN OVALS ARE INSPECTION DIMENSIONS.		DRAWN: _____ APPROVED: _____ DATE: _____	SCALE: NTS MATERIAL: PAINTED METAL	PART NUMBER: 39-2A053-080-xxx REVISION: _____