



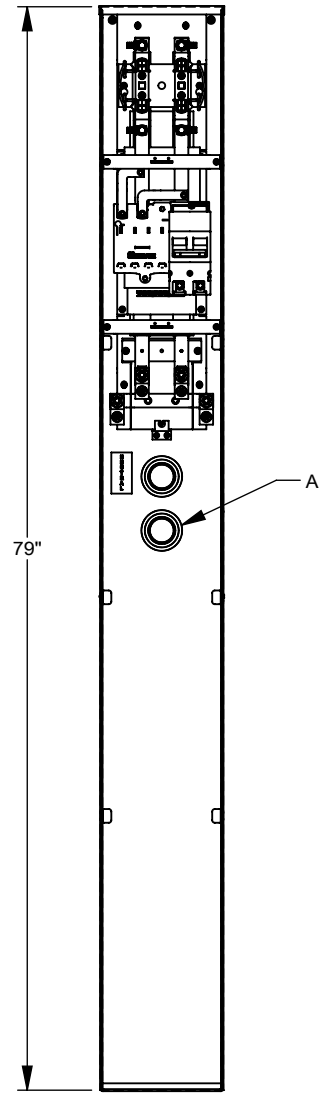
Catalog Number: NU8980-O-KK
Item Description: 200A 4T RL MTR DB PED
UPC Code: 784572181823

Brand Name: Milbank
Type: Ringless Meter Socket
Application: Meter Socket With Load Center
Standard: UL Listed
Voltage Rating: Up to 240 Volts Alternating Current
Amperage Rating: 200 Continuous Ampere
Phase: 1 Phase
Frequency Rating: 60 Hertz
Number Of Cutouts: 0
Cutout Size: Breaker Provision
Cable Entry: Underground
Terminal: Single Mechanical Line Side and Single Mechanical Load Side
Mounting: Pedestal
Enclosure: Type 3R, G90 Galvanized Steel with Powder Coat Finish

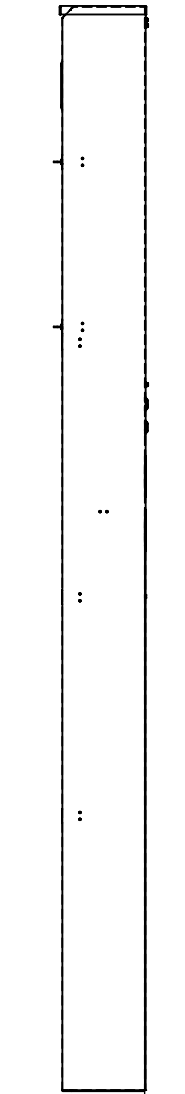


Utility requirements may vary. Always consult the serving utility for their requirements prior to ordering or installing this equipment. This product must always be installed by a licensed electrician. Installation of this equipment may require local electrical inspector approval.

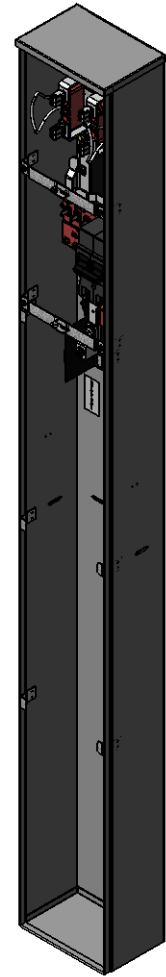
FEATURE TABLE		
ITEM	QTY	DESCRIPTION
A	2	1¼, 1½, 2, 2½ CONC. K.O.



9" O.D.



6" I.D.



MILBANK
ENERGY AT WORK

Version:

1

All dimensions are +/- 1/16".
Drawing views are not to scale.
Utility requirements for this equipment may vary. Always consult the serving utility for their requirements prior to ordering or installing this equipment. This product must be installed by a licensed electrician. Installation of this equipment may require local electrical inspector approval.