



Catalog Number: U4724-O-5T9
Item Description: 200A 5T RL HD LVR PED
UPC Code: 784572288195

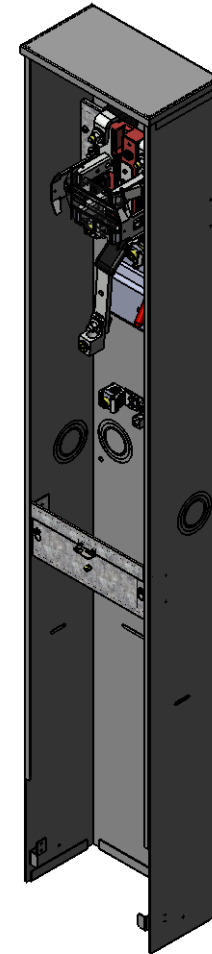
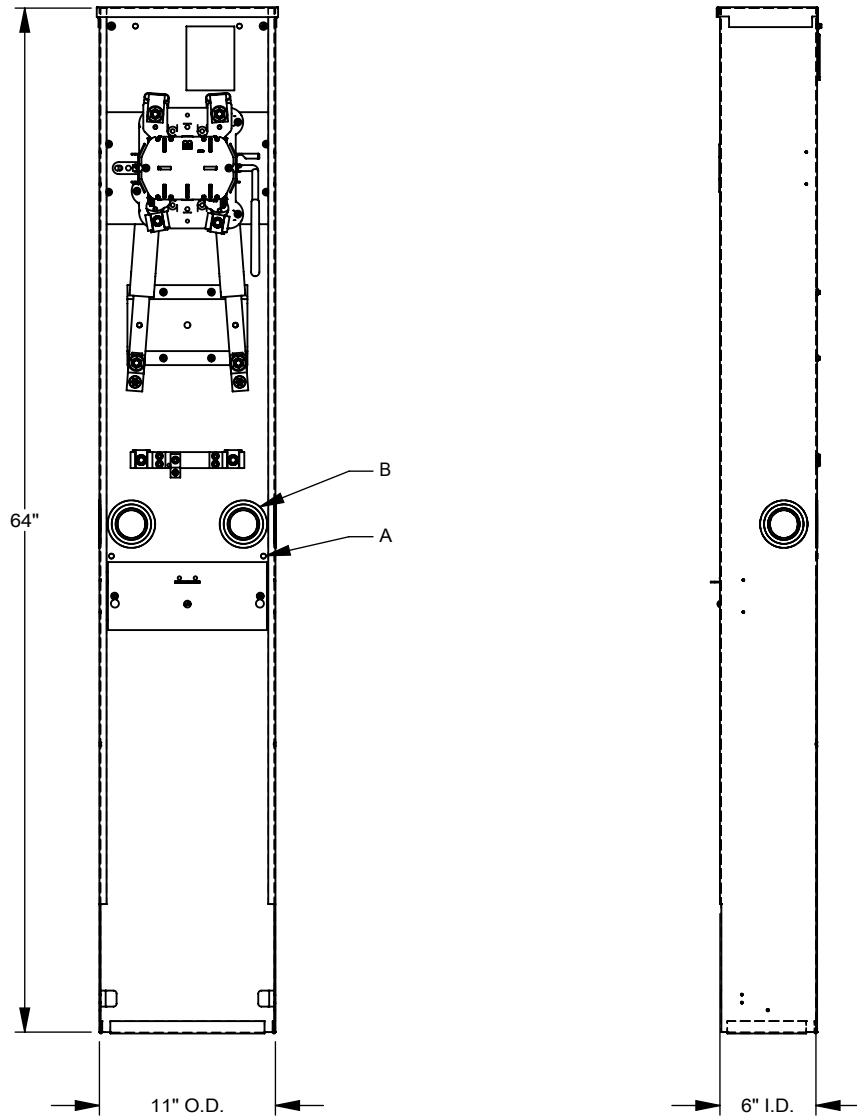
Brand Name: Milbank
Type: Ringless Meter Socket
Application: Meter Socket
Standard: UL Listed
Voltage Rating: 600 Volts Alternating Current
Amperage Rating: 200 Ampere Continuous
Phase: 1 Phase
Frequency Rating: 60 Hertz
Cable Entry: Underground
Terminal: Single Mechanical Line Side and Lay in Load Side
Mounting: Pedestal
Enclosure: Type 3R, G90 Galvanized Steel with Powder Coat Finish



Additional Specifications: Number of Jaws:5 Terminal
Hub Opening and Closing Plates:Plain Top
Equipment Ground:Triplex Ground
Bypass Provision:Lever Bypass
Number Positions:1 Position

Utility requirements may vary. Always consult the serving utility for their requirements prior to ordering or installing this equipment. This product must always be installed by a licensed electrician. Installation of this equipment may require local electrical inspector approval.

FEATURE TABLE		
ITEM	QTY	DESCRIPTION
A	4	5/16 SOLID K.O.
B	4	1/4, 1/2, 2, 2 1/2 CONC. K.O.



Version:

1

All dimensions are +/- 1/16".
Drawing views are not to scale.

Utility requirements for this equipment may vary. Always consult the serving utility for their requirements prior to ordering or installing this equipment. This product must be installed by a licensed electrician. Installation of this equipment may require local electrical inspector approval.