



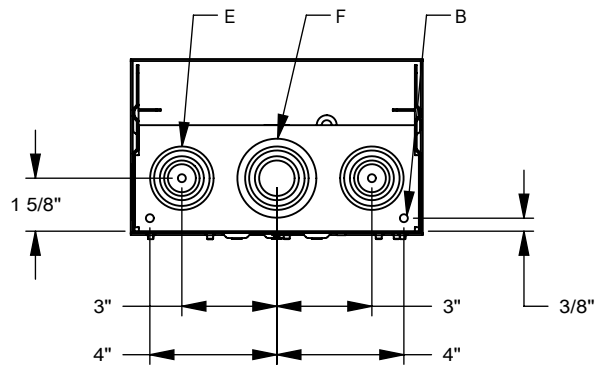
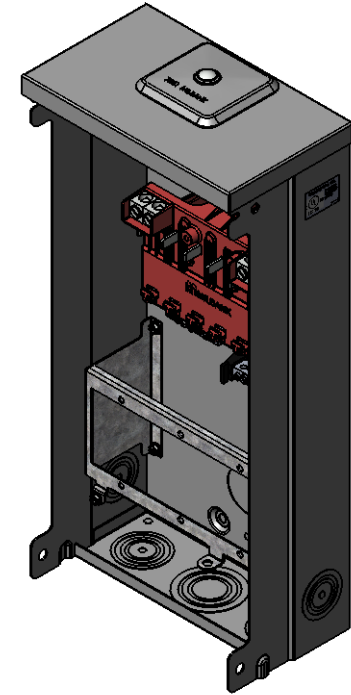
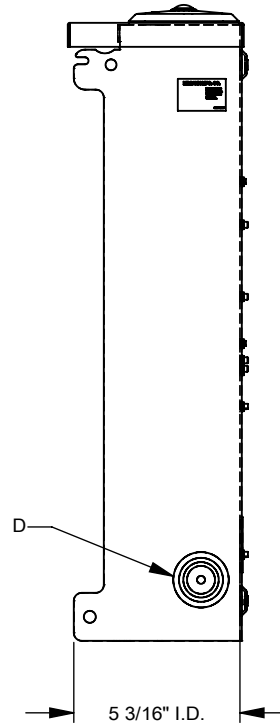
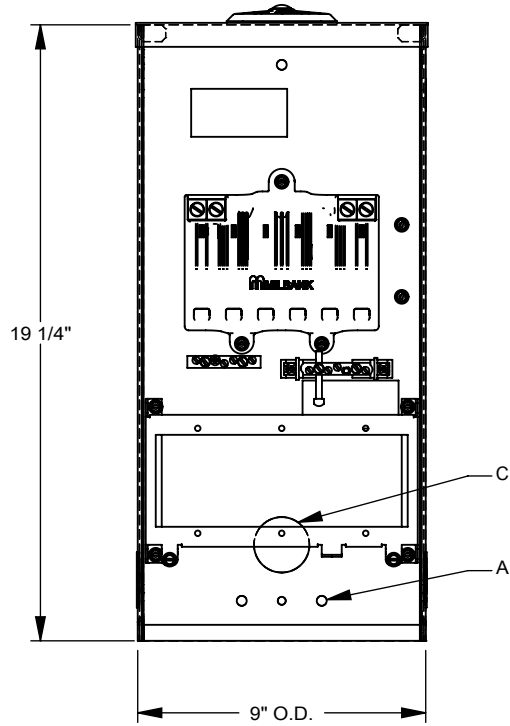
Catalog Number: U5000-XL-41  
Item Description: 125A UNMET P/O  
UPC Code: 784572258754

Brand Name: Milbank  
Type: Unmetered Power Supply  
Application: RV Power  
Standard: UL Listed  
Voltage Rating: Up to 240 Volts Alternating Current  
Amperage Rating: 125 Continuous Ampere  
Phase: 1 Phase  
Frequency Rating: 60 Hertz  
Mounting: Surface Mount  
Enclosure: G90 Galvanized Steel with Power Coat Finish



*Utility requirements may vary. Always consult the serving utility for their requirements prior to ordering or installing this equipment. This product must always be installed by a licensed electrician. Installation of this equipment may require local electrical inspector approval.*

FEATURE TABLE		
ITEM	QTY	DESCRIPTION
A	4	U/L MNTG.EMBOSS
B	2	¼ SOLID K.O.
C	1	1 1/4 SOLID K.O.
D	2	½, ¾, 1, 1¼ CONC. K.O.
E	2	½, ¾, 1, 1¼, 1½ CONC. K.O.
F	1	¾, 1, 1¼, 1½, 2 CONC. K.O.



Version:

1

All dimensions are +/- 1/16".  
Drawing views are not to scale.

Utility requirements for this equipment may vary. Always consult the serving utility for their requirements prior to ordering or installing this equipment. This product must be installed by a licensed electrician. Installation of this equipment may require local electrical inspector approval.