

EASY-TAP™

IPCS Series – Insulation Piercing Connectors

IPCS SERIES



FEATURES

- Safe to use.
- No need to strip wire and totally insulated.
- No tape or cover needed.
- No contact at any point with a live part.
- Can be installed on energized conductors.
- Versatile and reliable.
- No spacer required between connections.
- Exclusive "turbo spacer" keeps tap side open while main conductor is being tightened.
- No need for a third hand to install.
- Watertight and corrosion-free.
- Connection sealed by a rubber grommet.
- No migration of water.
- No contamination between main and tap.
- Connectors handle a large wire range of #14 AWG to 750MCM.
- Double shear-head bolts ensure perfect connection every time Hot spots eliminated.
- Can be used as a splice or a tap.
- Easy to install and no special tools required.
- For copper-to-copper, copper-to-aluminum and aluminum-to-aluminum applications.
- Suitable for solid and/or stranded wires.
- 4 sizes are approved for use with bare wire (from 4/0 to #10) - these connectors come with a blue insert which re-creates the insulation and avoids any damage to the conductor.

RATINGS



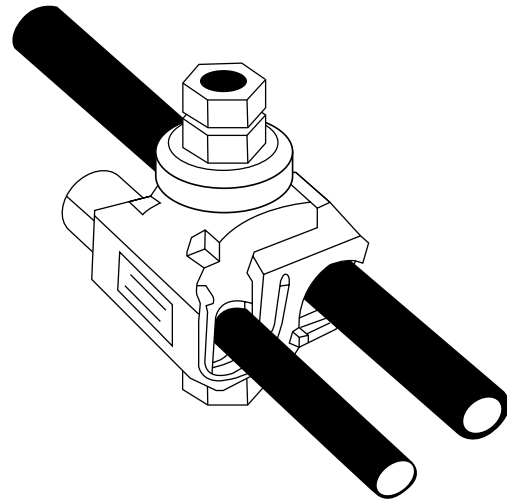
UL486B listed.
Meets ANSI C119.4 requirements.

TEMPERATURE RATING:

90 °C.

VOLTAGE:

600V.





CAT. NO.	CONDUCTOR RANGE		CURRENT RATING		DIMENSIONS (IN)			NO. OF BOLTS	STD. PACK QTY.	STD. CTN. QTY.
	MAIN AWG	TAP AWG	CU AMP	AL AMP	HEIGHT	WIDTH	LENGTH			
IPCS2001*	2/0 – 4	10 – 14	55	40	3.000	1.800	2.200	1	1	6
IPCS7501*	750 – 3/0	10 – 14	55	40	3.700	2.400	2.600	1	1	6
IPCS1002	1/0 – 8	2 – 10	190	150	3.100	1.800	2.200	1	1	6
IPCS1010	1/0 – 8	1/0 – 8	190	150	3.100	1.800	2.200	1	1	6
IPCS4002*	4/0 – 3	2 – 10	190	150	3.100	1.800	2.200	1	1	6
IPCS4020	4/0 – 2	2/0 – 6	300	235	3.300	2.200	2.600	1	1	4
IPCS4040	4/0 – 2	4/0 – 4	405	315	3.300	2.400	3.500	1	1	4
IPCS2540**	250 – 1	4/0 – 4	405	315	3.500	2.200	2.600	1	1	4
IPCS3535**	350 – 1/0	350 – 1/0	570	445	4.500	3.000	3.900	2	1	2
IPCS5040**	500 – 2/0	4/0 – 4	405	315	4.500	3.000	3.900	2	1	2
IPCS5035**	500 – 4/0	350 – 1/0	570	445	4.500	3.000	3.900	2	1	2
IPCS7550**	750 – 250	500 – 250	700	545	4.700	3.300	4.300	2	1	2

*Cannot be used with bare wire or as a splice

**Cannot be used with bare wire

All sizes can be installed on energized main conductor, however, the tap must not be under load.

Not recommended for use with extra-flexible cables.

Not approved for submersible applications.