

W SERIES

DIFFERENT SCHEDULES EACH DAY

7 DAY TIME SWITCH



APPLICATIONS



- Heating
- Air conditioning
- Display lighting
- Ventilating systems
- Lighted signage
- Storefront lighting

FEATURES

SCHEDULING: Minimum ON setting is 1 hour with a minimum OFF setting of 2 hours. Minimum 8 hours between 2 OFF settings. Models W400A and W402A offer minimum ON/OFF settings of 3½ hours. 7 day calendar dial accommodates up to 2 pairs of ON/OFF trippers per day – 7 pairs are supplied.

SKIP-A-DAY: Omit operations on any day.

MANUAL OVERRIDE: Until the next regularly scheduled ON or OFF automatic operation then resumes.

OPTIONAL RESERVE POWER: "L" models keep dial on time up to 24 hours during power outage.

STANDARDS: Listed UL917.

CAT. NO.	UPC CODE	INPUT SUPPLY (VAC) 60Hz	OUTPUT CONTACTS	ENCLOSURE TYPE
W100	30001	120	SPST	Metal Indoor NEMA 1
W120	33001	120	SPDT	
W200	31001	120	DPST	
W202	31011	208-277	DPST	
W220	34001	120	DPDT	
W222	34011	208-277	DPDT	
W300	32001	120	3PST	
W400B*	35003	120	4PST	
W402B*	35004	208-277	4PST	
WITH RESERVE POWER		(Contact factory for lead time)		
W220L	39009	120	DPDT	Metal Indoor NEMA 1
W222L	39010	208-277	DPDT	
W300L	39005	120	3PST	
W302L	39006	208-277	3PST	
W400BL*	39008	120	4PST	
Replacement Trippers	Order #P69 for 7 pairs of ON/OFF trippers			
Replacement Motor	#101 (120V) & #201 (208-277V). For "L" models order #36 (120V) and #46 (208-277V).			

*UL Listed only.

SPECIFICATIONS

INPUT VOLTAGE: 120 or 208-277VAC, 60Hz, varies by model.

TIMING ACCURACY: Line frequency.

TERMINAL RANGE: #8 - #14AWG.

OPERATING TEMPERATURE: -40° to 165°F (-40° to +74°C).

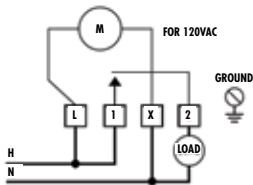
POWER CONSUMPTION: 3 watts, 5 watts for "L" models maximum.

ENCLOSURE: Indoor NEMA 1 Metal with lockable hasp. (See pages 589-593 for dimensions).

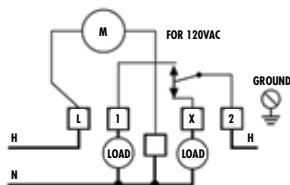
TYPE	VOLTAGE (VAC)	CONTACT RATING
General Purpose	120 -277	40A
Resistive	120 -277	40A
Tungsten	120	40A
Ballast	120-277	20A
Pilot Duty	120 -277	1000VA
Motor	120 240	2HP 5HP

277VAC Single Phase

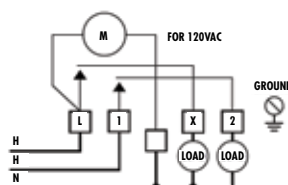
W100



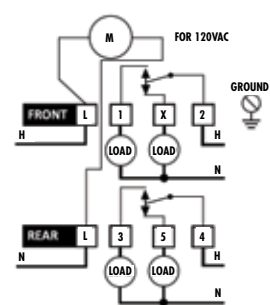
W120



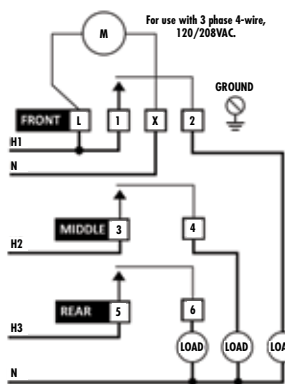
W200



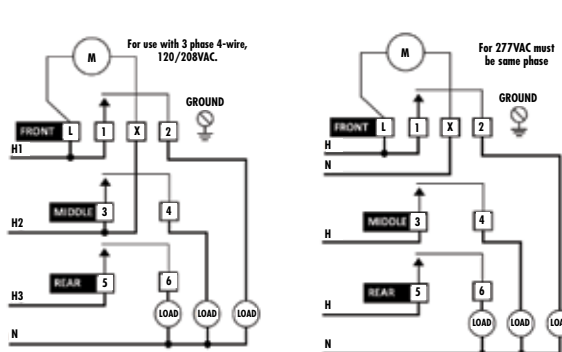
W220



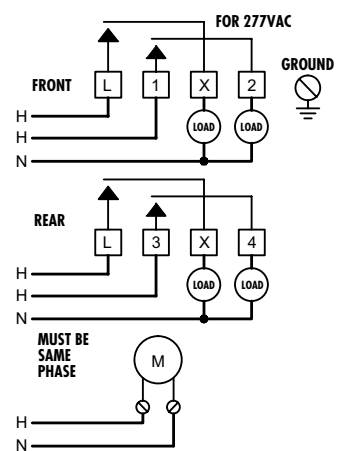
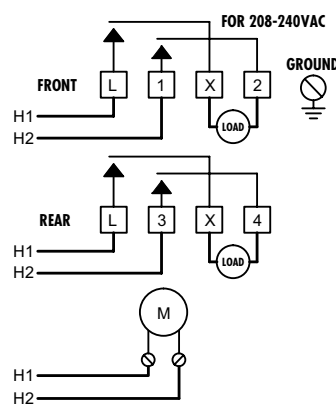
W300



W302



W402



W400

