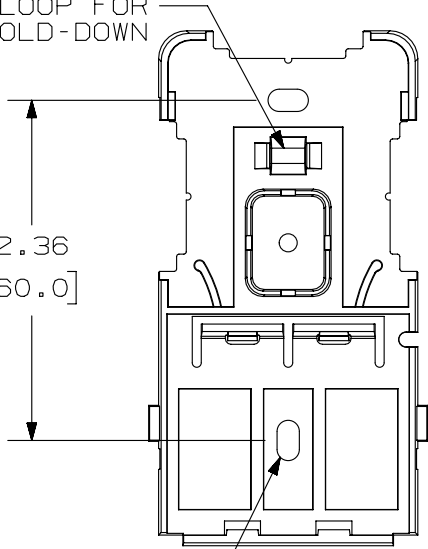


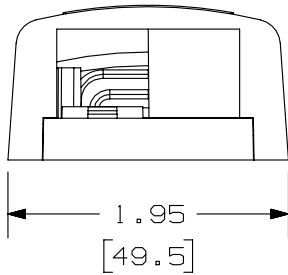
THIS COPY IS PROVIDED ON A RESTRICTED BASIS AND IS NOT TO BE USED IN ANY WAY DETRIMENTAL TO THE INTERESTS OF PANDUIT CORP.

PAN-TY LOOP FOR
CABLE HOLD-DOWN

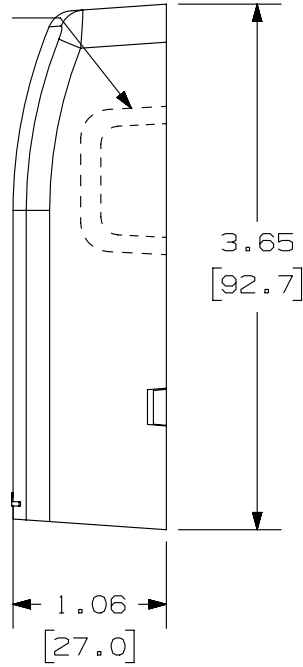
2.36
[60.0]



MOUNTING HOLES
FOR #6 PAN HEAD
SCREW (2 PLACES)



BREAKOUT AREA
(3 PLACES)



PANDUIT P/N

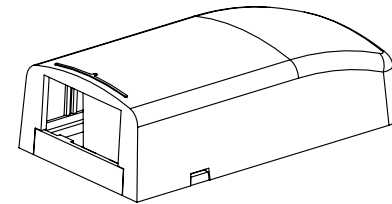
WEIGHT

CBX2**-AY

.62 LB/10 PCS
(286.1 g/10 PCS)

NOTES:

1. SEE CURRENT CATALOG FOR ADDITIONAL PART NUMBER SUFFIXES TO INDICATE COLOR AND OR PACKAGE QUANTITY.
2. SEE CATALOG FOR A COMPLETE LIST OF PARTS APPLICABLE FOR USE WITH THIS PART.
3. DIMENSIONS IN [] ARE IN METRIC.
4. ALSO INCLUDED WITH BOX:
 - 1- BOX BASE
 - 1- BOX COVER
 - 1- PLT1.51-C PAN-TY
 - 2- MOUNTING SCREW
 - 1- STRIP OF 3.00" X .75" FOAM TAPE FOR MOUNTING
 - 1- ID LABEL KIT
5. BREAKOUTS DESIGNED TO ACCEPT LD3/LDP3 OR LD5/LDP5 RACEWAY.
6. BASE MATERIAL THICKNESS= .090 [2.29].



NO WARRANTY, EXPRESSED OR IMPLIED, IS MADE BY PANDUIT WITH RESPECT TO ADHESIVE BOND PERFORMANCE. AMONG OTHER THINGS, THE CONDITIONS UNDER WHICH THESE MOUNTS MAY BE APPLIED AND/OR THE SURFACE TO WHICH THEY MAY BE APPLIED ARE BEYOND PANDUIT'S CONTROL.

PART NUMBER		CBX2**-AY	
TITLE			
MINI-COM 2 POSITION SURFACE MOUNT BOX			
CUSTOMER DRAWING			
ITEM REVISION NAME		M02479EN/00	
DATASET FILE NAME		M02479EN_DC120/00B	
UNLESS OTHERWISE SPECIFIED, DIMENSIONAL TOLERANCES ARE: IN [mm]		MATERIAL:	
.x ± .1 [2.54]		.xxx ± .005 [.127]	
.xx ± .01 [.25]		ANGLES ± 5 °	
THIRD ANGLE PROJECTION		DRAWING NUMBER:	
02479-120		02479-120	
DRAWN BY	DATE	CHK	SCALE
JSP	1-26-07	MJD	NONE
SHT 1 OF 1			SIZE
			A

REV	DATE	BY	CHK	APR	DESCRIPTION	ECN
1	3/11/14	JSP	REFR	MMR	A. REVISED DRAWING TITLE BLOCK.	02479-120
R	1-26-07	JSP	MJD	MJD	RELEASED TO PRODUCTION	02479-120

D10100DX/14