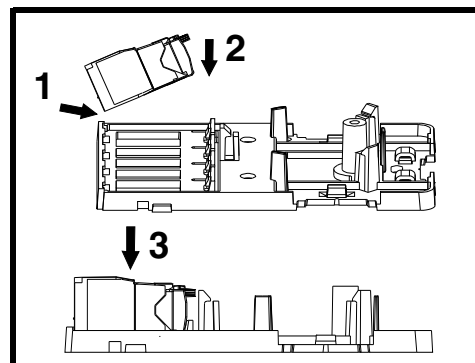




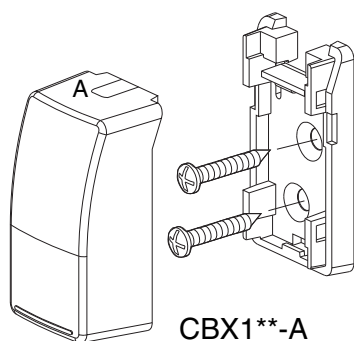
PART NO.	RACEWAY	BREAK OUT
CBX1**-A	LDP3/LD3	A
CBX2**-AY	LDP3/LD3	A
CBX4**-AY	LDP5/LD5	B
CBXF6**-AY	LDP5/LD5	A
CBXF12**-AY	LDP10/LD10	B



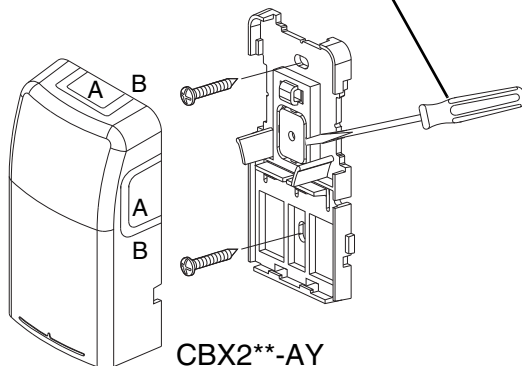
### HOW TO MOUNT THE Mini-Com MODULES



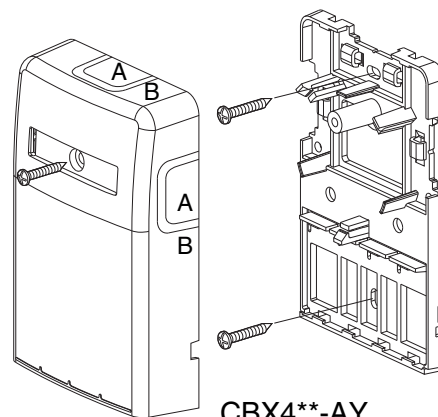
IF RUNNING CABLE THROUGH WALL, REMOVE BREAKOUT BEFORE MOUNTING TO WALL



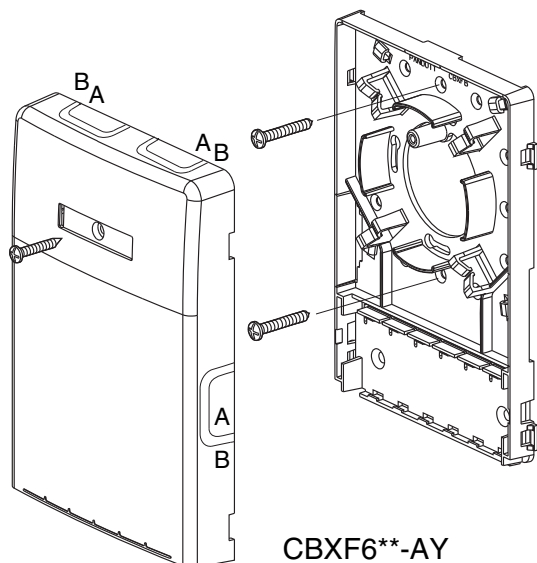
CBX1\*\*-A



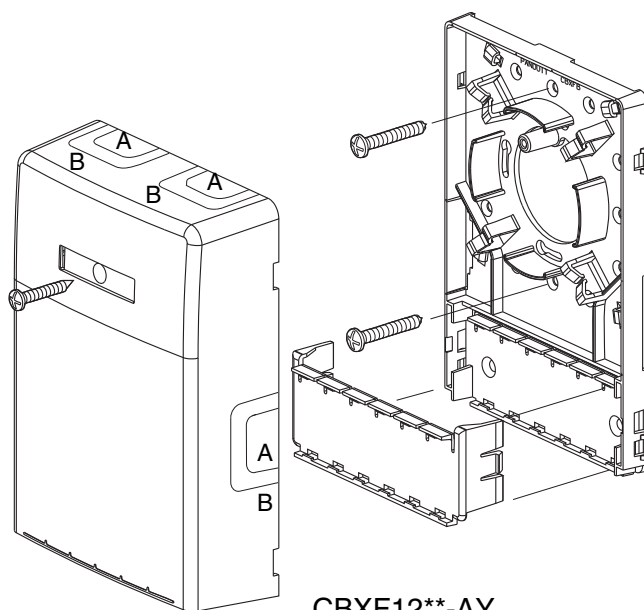
CBX2\*\*-AY



CBX4\*\*-AY



CBXF6\*\*-AY



CBXF12\*\*-AY

#### Fiber Installation Tips:

Maintain 30mm minimum bend radius.

Spool 1 meter minimum buffered fiber.

\*\* Denotes color.

For Instructions in Local Languages  
and Technical Support:

[www.panduit.com/resources/install\\_maintain.asp](http://www.panduit.com/resources/install_maintain.asp)



[www.panduit.com](http://www.panduit.com)

E-mail:  
[techsupport@panduit.com](mailto:techsupport@panduit.com)

Phone:  
866-405-6654