

# IndustrialNet™ 8-Port DIN Rail Mount Copper Patching Solution

## specifications

8-port DIN rail mount copper patch panel shall be made of high impact polycarbonate material and shall mount to a standard 35mm DIN rail. Product shall have a removable faceplate that includes four label pockets, labels and covers for port identification. The product shall include adjustable latches to lock it in place when mounted on the DIN rail. Latch design shall also allow product to mount on a flat surface for vertical bulkhead mounting. 8-port DIN rail mount patch panel shall accept any Mini-Com® Module that occupies a single space. The panel shall be suitable for use in shielded or unshielded applications.



## technical information

<b>Standards:</b>	Norme International Standard CEI IEC 60715; DIN EN 60715; DIN EN 50022; DIN 46277-3; BS 5584:1978; IEC 60068 Environmental Testing; cULus Listed to UL1863
<b>Material:</b>	UL94V-0, Impact-resistant polycarbonate
<b>RoHS compliance:</b>	Compliant
<b>Mounting options:</b>	Mounts to a standard 35mm DIN rail; can also mount to other surfaces using mounting holes in latches
<b>Packaging:</b>	Copper patch panel includes 6-32 x 3/8" phillips head screws to mount faceplate to patch panel and 4 labels and label covers.
<b>Temperature:</b>	Temperature range of -10°C to 60°C (14°F – 140°F) complies to UL 508 A Control Panel standard and operating range of the ethernet switches
<b>Shielded applications:</b>	For use in unshielded applications, use DIN panel CDPP8RG. For use in shielded applications, use DIN panel CDPP8RG-S.

## key features and benefits

<b>DIN rail mount</b>	Employs dual purpose, snap-in mounting latches which have an audible click to indicate the latch is in the correct position. The latches serve to hold the unit on the DIN rail while allowing it to slide side to side. Latches also serve as wall mounting brackets via an external mounting hole in the latch.
<b>Modular</b>	Accepts up to eight single Mini-Com® Copper and A/V Modules.
<b>Patching</b>	Easy and logical port mapping to common Ethernet mini-switch ports enables convenient MACs (Moves, Adds and Changes) in industrial telecommunications zone enclosure or control panel applications. IndustrialNet™ 8-port DIN Rail Mount Patching Solutions provides a testable permanent link for link commissioning and troubleshooting, and provides flexibility and scalability for future growth.
<b>Identification</b>	DIN rail mount patching solutions include label pockets, labels, and transparent label covers for clear identification; complies with ANSI/EIA/TIA-606-B labeling requirements.

## applications

IndustrialNet™ 8-port DIN Rail Mount Patching Solutions conserve precious real estate by consolidating all patching onto the DIN rails of a zone enclosure or control panel, and are designed to “port map” to Industrial Ethernet modular mini-switches. These products can be deployed as flexible, reconfigurable and high performance structured cabling elements in traditional hierarchical star, fiber to the enclosure (zone) or device level ring Industrial Ethernet architectures.

These structured cabling solutions are important as Ethernet reaches further into the industrial automation network, enabling traditional IT departments to manage change in the industrial network through the use of familiar patching facilities and structured cabling models. The use of Panduit IndustrialNet™ Modular Patching allows customers to easily deploy copper connectivity in the same modular DIN footprint in such applications.

### 8-Port DIN Rail Mount Copper Patch Panel

**8-port DIN panel:** CDPP8RG

**8-port Shielded DIN panel:** CDPP8RG-S

### Mini-Com® Copper Jack Modules

**Category 6, unshielded:** CJ688TG\*\*

**Category 6 unshielded, keyed:** CJK688TG\*\*

**Category 6, shielded:** CJS688TGY

**Category 6, shielded, keyed:** CJSK688TG\*\*

**Category 5e, unshielded:** CJ5E88TG\*\*

**Category 5e, unshielded, keyed:** CJK5E88TG\*\*

**Category 5e, shielded:** CJS5E88TGY

**Category 5e, shielded, keyed:** CJSK5E88TG\*\*

### Mini-Com® Blank Modules

**Blank modules:** CMBIG-X‡

### IndustrialNet™ Network Zone System

**Pre-configured large (3-DIN rail) zone enclosure:** Z23C-S

**Pre-configured medium (2-DIN rail) zone enclosure:** Z22C-S

**Pre-configured small (1-DIN rail) zone enclosure:** Z11C-S

### Ultimate ID® Replacement Covers

**2-port clear cover:** UILC2CL-X

### Ultimate ID® Labels

**2-port white, non adhesive:** UILWOL2-L  
**LS8E and LS9:** UILS8BW  
**Laser/Ink Jet:** UILJ2

\*\* = IW (Off White), WH (White), IG (International Gray), AW (Arctic White), EI (Electric Ivory), BL (Black), BU (Blue), RD (Red), YL (Yellow), GR (Green), OR (Orange), VL (Violet). Keyed jacks are not available in all colors. See [www.panduit.com](http://www.panduit.com) for the complete selection.

‡For other colors, replace IG (International Gray) with IW (Off White), EI (Electric Ivory), WH (White), RG (Rock Gray), or BL (Black).

For complete copper patch cord offering, visit [www.panduit.com](http://www.panduit.com)

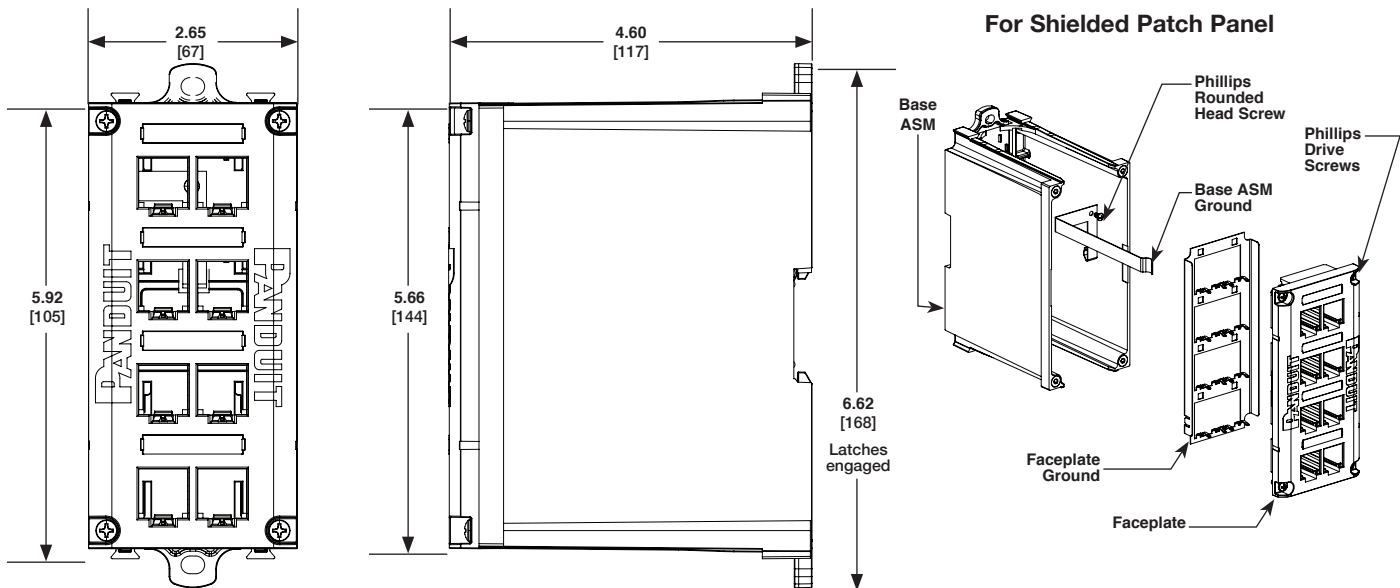
# IndustrialNet™ 8-Port DIN Rail Mount Copper Patching Solution

## Typical Configurations for 8-Port DIN Rail Copper Patch Panel

CDPP8RG (8-port DIN Rail Copper Patch Panel)	CMBIG-X (Blank Adapter Module)	Copper Jack Modules P/Ns	Qty.
1	4	CJ688TG**, CJK688TG**, CJS688TGY, CJSK688TG** – Category 6 copper jack module.	4
1	4	CJ5E88TG**, CJK5E88TG**, CJS5E88TGY, CJSK5E88TG** – Category 5e copper jack module.	4
1	0	CJ688TG**, CJK688TG**, CJS688TGY, CJSK688TG** – Category 6 copper jack module.	8
1	0	CJ5E88TG**, CJK5E88TG**, CJS5E88TGY, CJSK5E88TG** – Category 5e copper jack module.	8

Available colors listed on the previous page.

## 8-Port DIN Rail Copper Patch Panel



Dimensions are in inches [Dimensions in brackets are metric]

### WORLDWIDE SUBSIDIARIES AND SALES OFFICES

PANDUIT CANADA  
Markham, Ontario  
cs-cdn@panduit.com  
Phone: 800.777.3300

PANDUIT EUROPE LTD.  
London, UK  
cs-emea@panduit.com  
Phone: 44.20.8601.7200

PANDUIT SINGAPORE PTE. LTD.  
Republic of Singapore  
cs-ap@panduit.com  
Phone: 65.6305.7575

PANDUIT JAPAN  
Tokyo, Japan  
cs-japan@panduit.com  
Phone: 81.3.6863.6000

PANDUIT LATIN AMERICA  
Guadalajara, Mexico  
cs-la@panduit.com  
Phone: 52.33.3777.6000

PANDUIT AUSTRALIA PTY. LTD.  
Victoria, Australia  
cs-aus@panduit.com  
Phone: 61.3.9794.9020

For a copy of Panduit product warranties, log on to [www.panduit.com/warranty](http://www.panduit.com/warranty)

For more information

Visit us at [www.panduit.com](http://www.panduit.com)

Contact Customer Service by email: [cs@panduit.com](mailto:cs@panduit.com)  
or by phone: 800.777.3300

**PANDUIT**®

© 2018 Panduit Corp.  
ALL RIGHTS RESERVED.  
COSP461--WW-ENG  
12/2018