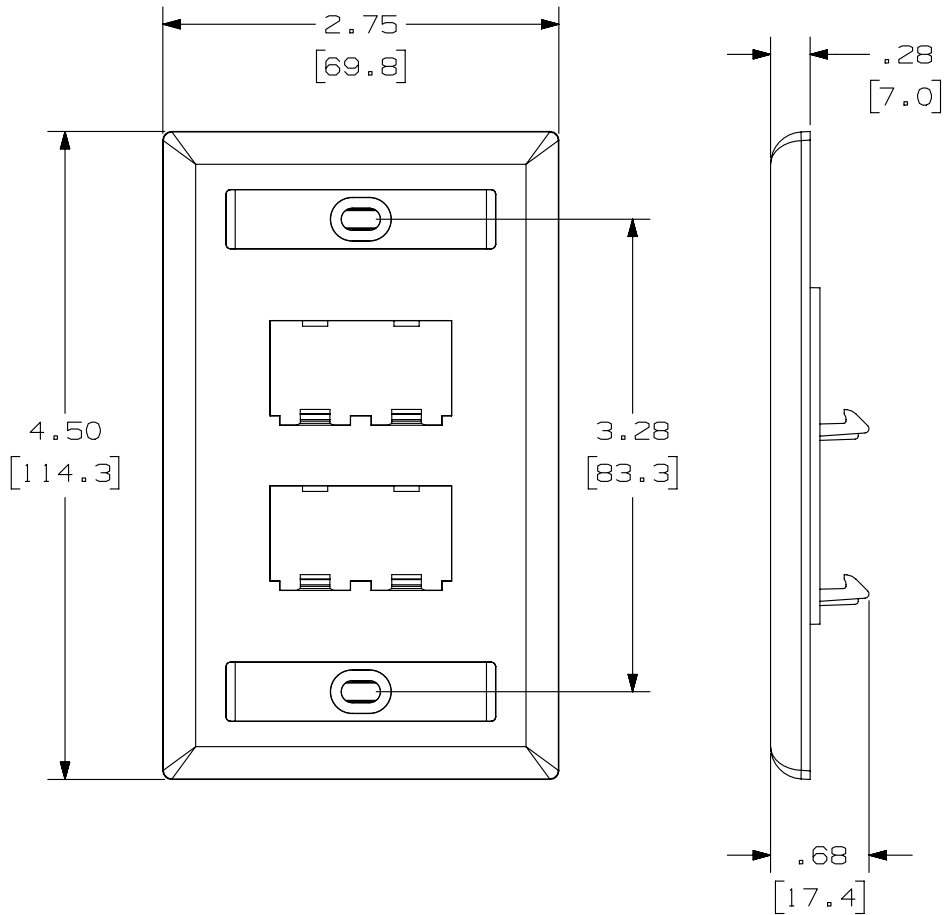


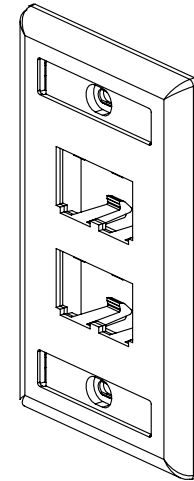
THIS COPY IS PROVIDED ON A RESTRICTED BASIS AND IS NOT TO BE USED IN ANY WAY DETRIMENTAL TO THE INTERESTS OF PANDUIT CORP.



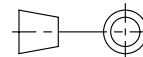
PANDUIT P/N	WEIGHT
CFPL4**Y	.60 LB/10 PCS. (271.1 G/10 PCS.)

NOTES:

- SEE CURRENT CATALOG FOR ADDITIONAL PART NUMBER SUFFIXES TO INDICATE COLOR AND OR PACKAGE QUANTITY.
- SEE CATALOG FOR COMPLETE LIST OF PARTS APPLICABLE FOR USE WITH THIS PART.
- PART INCLUDES:
  - FACEPLATE
  - MOUNTING SCREW
  - LABEL
  - LABEL COVER
- DIMENSIONS IN [ ] ARE IN METRIC.



PART NUMBER		CFPL4**Y	
TITLE			
MINI-COM 4 POSITION VERTICAL CLASSIC SERIES FACEPLATE WITH LABEL/COVER			
CUSTOMER DRAWING			
ITEM REVISION NAME		M02479EF/01	
DATASET FILE NAME		M02479EF_DC111/01A	
UNLESS OTHERWISE SPECIFIED, DIMENSIONAL TOLERANCES ARE: IN [ mm ]		MATERIAL:	
.x ± .xxx ± .010 [ .3 ]		ABS	
.xx ± .03 [ .8 ]		DRAWING NUMBER:	
ANGLES ±		02479-111	
THIRD ANGLE PROJECTION		SHT 1 OF 1	
DRAWN BY	DATE	CHK	SCALE
JSP	7-28-06	MJD	NONE
REV	DATE	BY	CHK
1	4/15/14	JSP	REFR
R	7-28-06	JSP	MJD
APR	DESCRIPTION		ECN
	A. REVISED DRAWING TITLE BLOCK.		02479-111
	RELEASED TO PRODUCTION		02479-111



D10100DA/14