

THIS COPY IS PROVIDED ON A RESTRICTED BASIS AND IS NOT TO BE USED IN ANY WAY DETRIMENTAL TO THE INTERESTS OF PANDUIT CORP.

NOTES:

1. VISIT OUR ON-LINE CATALOG AT WWW.PANDUIT.COM FOR A LIST OF CURRENT PARTS APPLICABLE FOR USE WITH THIS PRODUCT.
2. BLUE COLOR WIRE CAP ASSEMBLY DESIGNATES TIA CATEGORY 6A (ISO 11801 CLASS EA) PERFORMANCE.
3. COLOR OF JACK MODULE IS INDICATED BY ** IN THE PART NUMBER (EXAMPLE: CJ6X88TGBU FOR BLUE JACK). SEE WWW.PANDUIT.COM FOR AVAILABLE COLOR CODES.
4. PART NUMBERS OF AVAILABLE PACKAGE TYPES ARE SHOWN IN TABLE 1.
5. TERMINATION TOOL TO BE USED IS EGJT-1. SOME PACKAGE TYPES INCLUDE A TERMINATION TOOL, SEE TABLE 1 FOR DETAILS.
6. ALL TX6A™ 10GIG™ CATEGORY 6A, 8 POSITION, 8 WIRE CONNECTOR MODULES ARE UNIVERSAL IN DESIGN. THEY ACCEPT ACCEPT SIX AND EIGHT POSITION MODULAR PLUGS WITHOUT DAMAGE.
7. TERMINATES 22-26AWG SOLID OR STRANDED UTP CABLE HORIZONTALLY.
8. SEE INSTALLATION INSTRUCTION FOR PROPER TERMINATION METHOD.
9. WIRE CAP LABEL WHICH IS PART OF THE WIRE CAP ASSEMBLY IS CODED FOR T568A AND T568B WIRING SCHEMES.
10. PART INCLUDES:
MODULE HOUSING: ABS W/ UL94V-0 FLAME RATING.
WIRE CAP ASSEMBLY: POLYCARBONATE W/ UL94V-0 FLAME RATING.
11. WEIGHT: 1.53 LBS/100 PCS (695 g/100 PCS).
12. DIMENSIONS IN [] ARE METRIC.
13. ALL MATERIALS AND COMPONENTS USED MEET THE LATEST RoHS REQUIREMENTS.

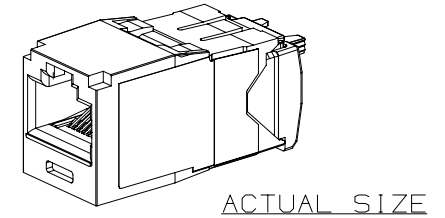
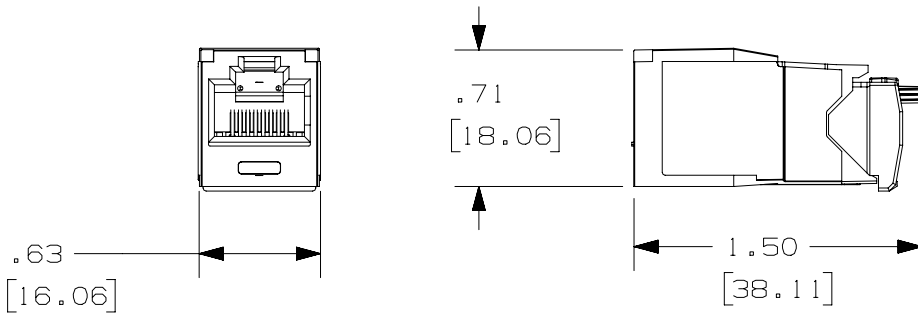
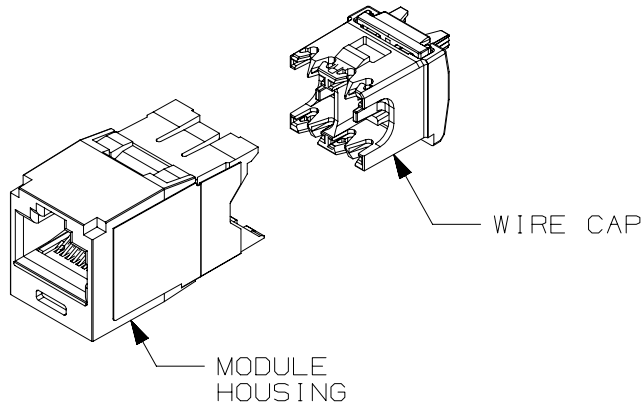


TABLE 1: PACKAGE TYPE AND TERMINATION TOOL

PART NUMBER	PACKAGED QUANTITY	TERMINATION TOOL: EGJT-1
CJ6X88TG**	INDIVIDUAL PACKAGED, 50 PER CARTON	NOT INCLUDED
CJ6X88TG**-24	BULK PACKAGED, 24 PER BAG	INCLUDED (1 PER BAG)
CJ6X88TG**-C	BULK PACKAGED, 100 PER CARTON	INCLUDED (1 PER CARTON)

PART NUMBER		SEE TABLE 1	
TITLE			
TX6A™ 10GIG™ CATEGORY 6A JACK MODULE WITH		STRAIGHT WIRE CAP ASSEMBLY	
CUSTOMER DRAWING			
ITEM REVISION NAME		M01874BB/17	
DATASET FILE NAME		M01874BB_DC40/17B	
		THIRD ANGLE PROJECTION	
MATERIAL		SEE NOTE 10	
DRAWING NUMBER		01874-40	
DRAWN BY	DATE	CHK	SCALE
MDJR	9-29-04	PBD	FULL
REV	DATE	BY	CHK
9	10-25-18	BJN	DCS
10	10-25-18	BJN	DCS
11	10-25-18	BJN	DCS
12	10-25-18	BJN	DCS
13	10-25-18	BJN	DCS
14	10-25-18	BJN	DCS
15	10-25-18	BJN	DCS
16	10-25-18	BJN	DCS
17	10-25-18	BJN	DCS
18	10-25-18	BJN	DCS
19	10-25-18	BJN	DCS
20	10-25-18	BJN	DCS
21	10-25-18	BJN	DCS
22	10-25-18	BJN	DCS
23	10-25-18	BJN	DCS
24	10-25-18	BJN	DCS
25	10-25-18	BJN	DCS
26	10-25-18	BJN	DCS
27	10-25-18	BJN	DCS
28	10-25-18	BJN	DCS
29	10-25-18	BJN	DCS
30	10-25-18	BJN	DCS
31	10-25-18	BJN	DCS
32	10-25-18	BJN	DCS
33	10-25-18	BJN	DCS
34	10-25-18	BJN	DCS
35	10-25-18	BJN	DCS
36	10-25-18	BJN	DCS
37	10-25-18	BJN	DCS
38	10-25-18	BJN	DCS
39	10-25-18	BJN	DCS
40	10-25-18	BJN	DCS
41	10-25-18	BJN	DCS
42	10-25-18	BJN	DCS
43	10-25-18	BJN	DCS
44	10-25-18	BJN	DCS
45	10-25-18	BJN	DCS
46	10-25-18	BJN	DCS
47	10-25-18	BJN	DCS
48	10-25-18	BJN	DCS
49	10-25-18	BJN	DCS
50	10-25-18	BJN	DCS
51	10-25-18	BJN	DCS
52	10-25-18	BJN	DCS
53	10-25-18	BJN	DCS
54	10-25-18	BJN	DCS
55	10-25-18	BJN	DCS
56	10-25-18	BJN	DCS
57	10-25-18	BJN	DCS
58	10-25-18	BJN	DCS
59	10-25-18	BJN	DCS
60	10-25-18	BJN	DCS
61	10-25-18	BJN	DCS
62	10-25-18	BJN	DCS
63	10-25-18	BJN	DCS
64	10-25-18	BJN	DCS
65	10-25-18	BJN	DCS
66	10-25-18	BJN	DCS
67	10-25-18	BJN	DCS
68	10-25-18	BJN	DCS
69	10-25-18	BJN	DCS
70	10-25-18	BJN	DCS
71	10-25-18	BJN	DCS
72	10-25-18	BJN	DCS
73	10-25-18	BJN	DCS
74	10-25-18	BJN	DCS
75	10-25-18	BJN	DCS
76	10-25-18	BJN	DCS
77	10-25-18	BJN	DCS
78	10-25-18	BJN	DCS
79	10-25-18	BJN	DCS
80	10-25-18	BJN	DCS
81	10-25-18	BJN	DCS
82	10-25-18	BJN	DCS
83	10-25-18	BJN	DCS
84	10-25-18	BJN	DCS
85	10-25-18	BJN	DCS
86	10-25-18	BJN	DCS
87	10-25-18	BJN	DCS
88	10-25-18	BJN	DCS
89	10-25-18	BJN	DCS
90	10-25-18	BJN	DCS
91	10-25-18	BJN	DCS
92	10-25-18	BJN	DCS
93	10-25-18	BJN	DCS
94	10-25-18	BJN	DCS
95	10-25-18	BJN	DCS
96	10-25-18	BJN	DCS
97	10-25-18	BJN	DCS
98	10-25-18	BJN	DCS
99	10-25-18	BJN	DCS
100	10-25-18	BJN	DCS
101	10-25-18	BJN	DCS
102	10-25-18	BJN	DCS
103	10-25-18	BJN	DCS
104	10-25-18	BJN	DCS
105	10-25-18	BJN	DCS
106	10-25-18	BJN	DCS
107	10-25-18	BJN	DCS
108	10-25-18	BJN	DCS
109	10-25-18	BJN	DCS
110	10-25-18	BJN	DCS
111	10-25-18	BJN	DCS
112	10-25-18	BJN	DCS
113	10-25-18	BJN	DCS
114	10-25-18	BJN	DCS
115	10-25-18	BJN	DCS
116	10-25-18	BJN	DCS
117	10-25-18	BJN	DCS
118	10-25-18	BJN	DCS
119	10-25-18	BJN	DCS
120	10-25-18	BJN	DCS
121	10-25-18	BJN	DCS
122	10-25-18	BJN	DCS
123	10-25-18	BJN	DCS
124	10-25-18	BJN	DCS
125	10-25-18	BJN	DCS
126	10-25-18	BJN	DCS
127	10-25-18	BJN	DCS
128	10-25-18	BJN	DCS
129	10-25-18	BJN	DCS
130	10-25-18	BJN	DCS
131	10-25-18	BJN	DCS
132	10-25-18	BJN	DCS
133	10-25-18	BJN	DCS
134	10-25-18	BJN	DCS
135	10-25-18	BJN	DCS
136	10-25-18	BJN	DCS
137	10-25-18	BJN	DCS
138	10-25-18	BJN	DCS
139	10-25-18	BJN	DCS
140	10-25-18	BJN	DCS
141	10-25-18	BJN	DCS
142	10-25-18	BJN	DCS
143	10-25-18	BJN	DCS
144	10-25-18	BJN	DCS
145	10-25-18	BJN	DCS
146	10-25-18	BJN	DCS
147	10-25-18	BJN	DCS
148	10-25-18	BJN	DCS
149	10-25-18	BJN	DCS
150	10-25-18	BJN	DCS
151	10-25-18	BJN	DCS
152	10-25-18	BJN	DCS
153	10-25-18	BJN	DCS
154	10-25-18	BJN	DCS
155	10-25-18	BJN	DCS
156	10-25-18	BJN	DCS
157	10-25-18	BJN	DCS
158	10-25-18	BJN	DCS
159	10-25-18	BJN	DCS
160	10-25-18	BJN	DCS
161	10-25-18	BJN	DCS
162	10-25-18	BJN	DCS
163	10-25-18	BJN	DCS
164	10-25-18	BJN	DCS
165	10-25-18	BJN	DCS
166	10-25-18	BJN	DCS
167	10-25-18	BJN	DCS
168	10-25-18	BJN	DCS
169	10-25-18	BJN	DCS
170	10-25-18	BJN	DCS
171	10-25-18	BJN	DCS
172	10-25-18	BJN	DCS
173	10-25-18	BJN	DCS
174	10-25-18	BJN	DCS
175	10-25-18	BJN	DCS
176	10-25-18	BJN	DCS
177	10-25-18	BJN	DCS
178	10-25-18	BJN	DCS
179	10-25-18	BJN	DCS
180	10-25-18	BJN	DCS
181	10-25-18	BJN	DCS
182	10-25-18	BJN	DCS
183	10-25-18	BJN	DCS
184	10-25-18	BJN	DCS
185	10-25-18	BJN	DCS
186	10-25-18	BJN	DCS
187	10-25-18	BJN	DCS
188	10-25-18	BJN	DCS
189	10-25-18	BJN	DCS
190	10-25-18	BJN	DCS
191	10-25-18	BJN	DCS
192	10-25-18	BJN	DCS
193	10-25-18	BJN	DCS
194	10-25-18	BJN	DCS
195	10-25-18	BJN	DCS
196	10-25-18	BJN	DCS
197	10-25-18	BJN	DCS
198	10-25-18	BJN	DCS
199	10-25-18	BJN	DCS
200	10-25-18	BJN	DCS
201	10-25-18	BJN	DCS
202	10-25-18	BJN	DCS
203	10-25-18	BJN	DCS
204	10-25-18	BJN	DCS
205	10-25-18	BJN	DCS
206	10-25-18	BJN	DCS
207	10-25-18	BJN	DCS
208	10-25-18	BJN	DCS
209	10-25-18	BJN	DCS
210	10-25-18	BJN	DCS
211	10-25-18	BJN	DCS
212	10-25-18	BJN	DCS
213	10-25-18	BJN	DCS
214	10-25-18	BJN	DCS
215	10-25-18	BJN	DCS
216	10-25-18	BJN	DCS
217	10-25-18	BJN	DCS
218	10-25-18	BJN	DCS
219	10-25-18	BJN	DCS
220	10-25-18	BJN	DCS
221	10-25-18	BJN	DCS
222	10-25-18	BJN	DCS
223	10-25-18	BJN	DCS
224	10-25-18	BJN	DCS
225	10-25-18	BJN	DCS
226	10-25-18	BJN	DCS
227	10-25-18	BJN	DCS
228	10-25-18	BJN	DCS
229	10-25-18	BJN	DCS
230	10-25-18	BJN	DCS
231	10-25-18	BJN	DCS
232	10-25-18	BJN	DCS
233	10-25-18	BJN	DCS
234	10-25-18	BJN	DCS
235	10-25-18	BJN	DCS
236	10-25-18	BJN	DCS
237	10-25-18	BJN	DCS
238	10-25-18	BJN	DCS
239	10-25-18	BJN	DCS
240	10-25-18	BJN	DCS
241	10-25-18	BJN	DCS
242	10-25-18	BJN	DCS
243	10-25-18	BJN	DCS
244	10-25-18	BJN	DCS</