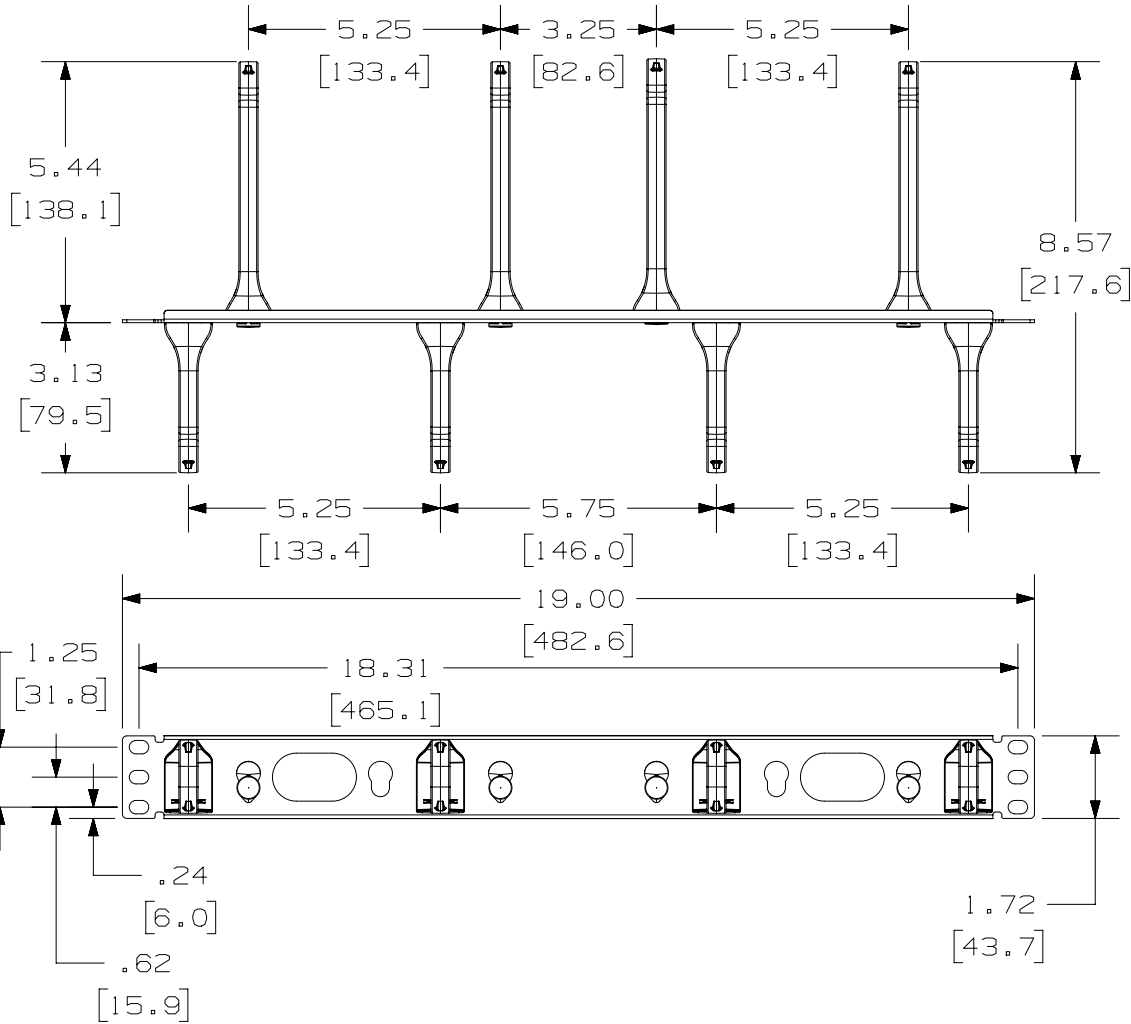


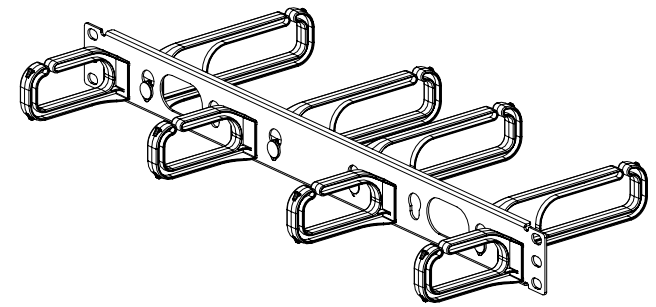
THIS COPY IS PROVIDED ON A RESTRICTED BASIS AND IS NOT TO BE USED IN ANY WAY DETRIMENTAL TO THE INTERESTS OF PANDUIT CORP.



PANDUIT P/N	WEIGHT
CMPH1	.80 LB/EACH PC (362.8 g/EACH PC)

NOTES:

- SEE CATALOG FOR COMPLETE LIST OF PARTS APPLICABLE FOR USE WITH THIS PART.
- DIMENSIONS IN PARENTHESSES ARE IN METRIC.
- PARTS INCLUDED:
4- SMALL D-RINGS
4- LARGE D-RINGS
4- 12-24 SCREWS
1- METAL STAMPING
- FOR OPTIONAL SNAP ON COVER USE PART NUMBER CMPHIC.



TITLE		OPEN CABLE MANAGEMENT PANEL HORIZONTAL (CMPH1)	
CUSTOMER DRAWING			
ITEM REVISION NAME	M00671AC/02	PANDUIT	
DATASET FILE NAME	M00671AC_DC/02A		
UNLESS OTHERWISE SPECIFIED, DIMENSIONAL TOLERANCES ARE: IN (mm)		MATERIAL: STAMPING- BLACK POWDER COATED C.R.S.	
THIRD ANGLE PROJECTION		RINGS- BLACK PC	
DRAWN BY JSP		DATE 11-1-99	DRAWING NUMBER: 00671-04
CHK CEF	SCALE NONE	SHT 1 OF 1	
ECN 00671-04		SIZE A	

REV	DATE	BY	CHK	APR	DESCRIPTION	ECN
02A	3-26-15	TWV	MACA	KRKE	BOM ADJUSTMENT. REVISED NOTES.	00671-04

D10100DA/15