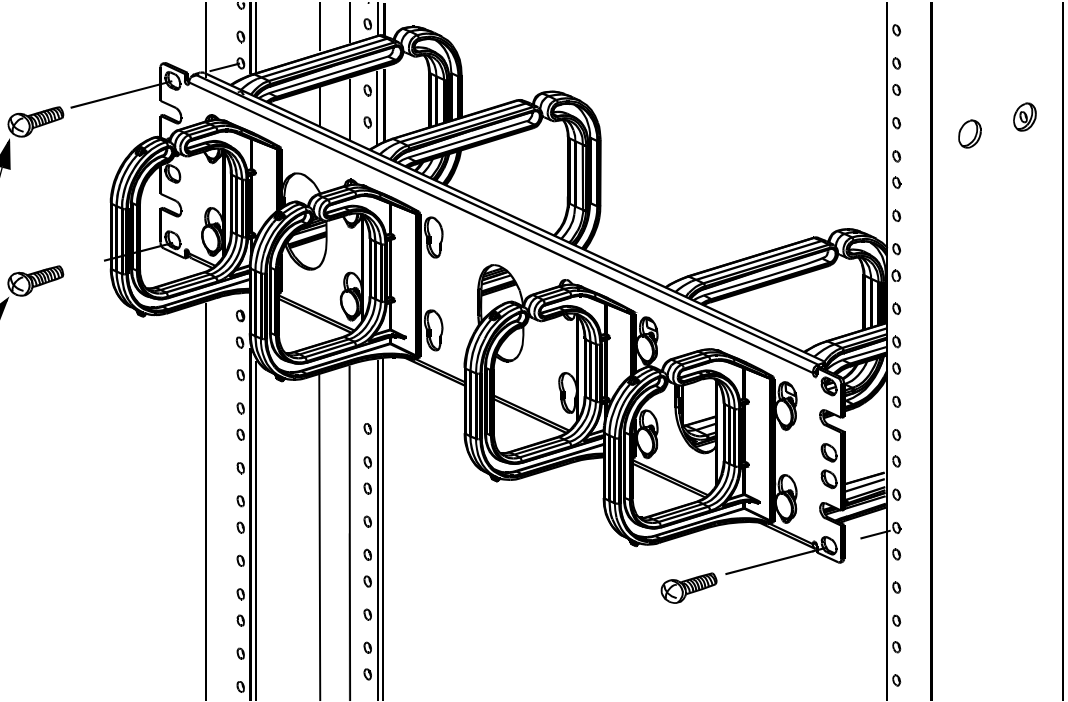
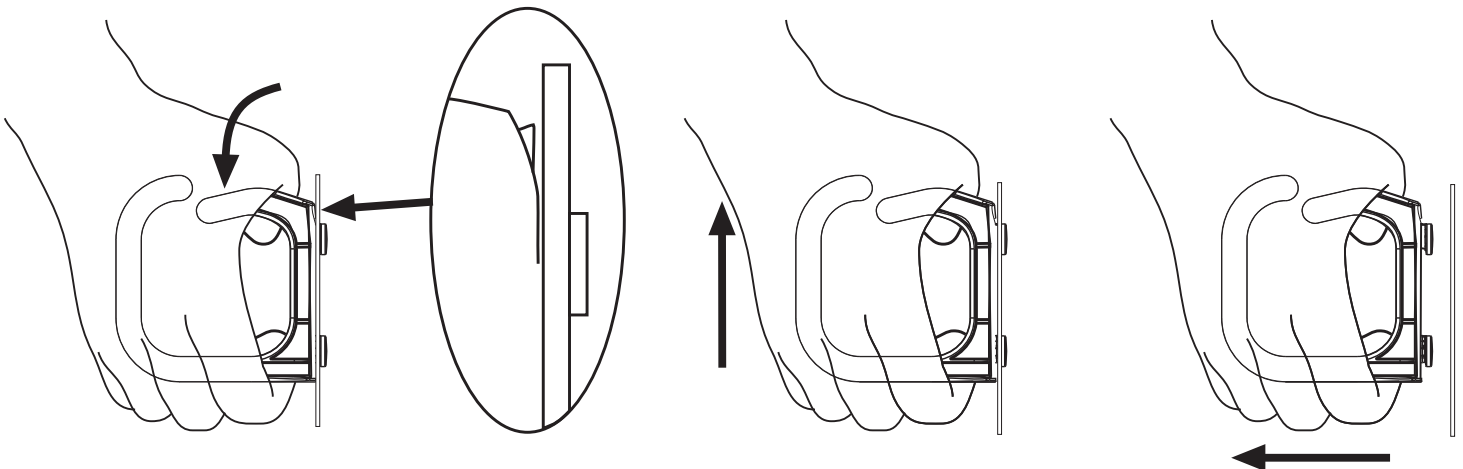


Typical panel mounting procedure to EIA Standard 19" Communication Rack or Network Cabinet

FOUR (4) #12-24 x 1/2"
SCREWS INCLUDED
IN EACH KIT



D-ring removal procedure



Horizontal Cable Management Panels

PART NUMBER	DESCRIPTION
CMPH1	Manages patch cables and distribution cables. Includes 1.5"x3" D-ring on the front and 1.5"x5" D-ring on the back.
CMPH2	Manages patch cables and distribution cables. Includes 3"x3" D-ring on the front and 3"x5" D-ring on the back.
CMPHF1	Manages patch cables. Includes 1.5"x5" D-ring on the front.
CMPHF2	Manages patch cables. Includes 3"x3" D-ring on the front.
CMPHHF1	Manages high density patch cables. Includes 1.5"x5" on front.
CMPHH2	Manages high density patch cables. Includes 3" x 5" D-ring front.
CMDRH1	Horizontal D-ring. 1.5"x3" (3.81cm x 7.62cm)
CMDRHD1	Horizontal D-ring. 1.5"x5" (3.81cm x 7.62cm)
CMPH1C	One rack unit 19" replacement cover
CMPH2C	Two rack unit 19" replacement cover

Vertical Cable Management

CMVDR1	1" Wide vertical cable management bracket, long
CMVDR1S	2" Wide vertical cable management bracket, short
CMVDR2S	2" Wide vertical cable management bracket, short
CMVDRC	Center mounted D-ring

For Instructions in Local Languages
and Technical Support:

www.panduit.com/resources/install_maintain.asp

PANDUIT

www.panduit.com

E-mail:
techsupport@panduit.com

Fax:
(866 405-6654)