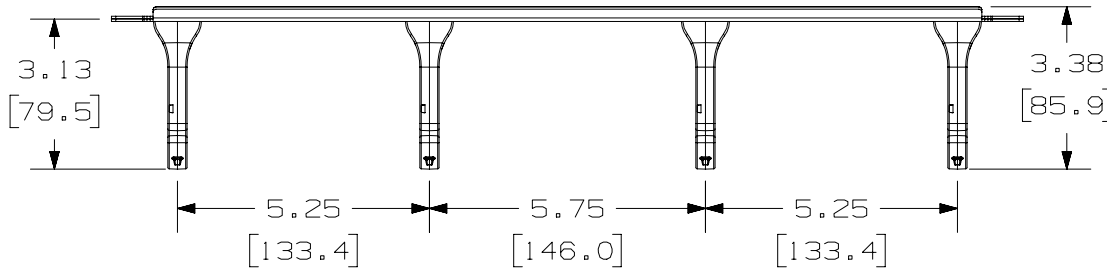


2

1

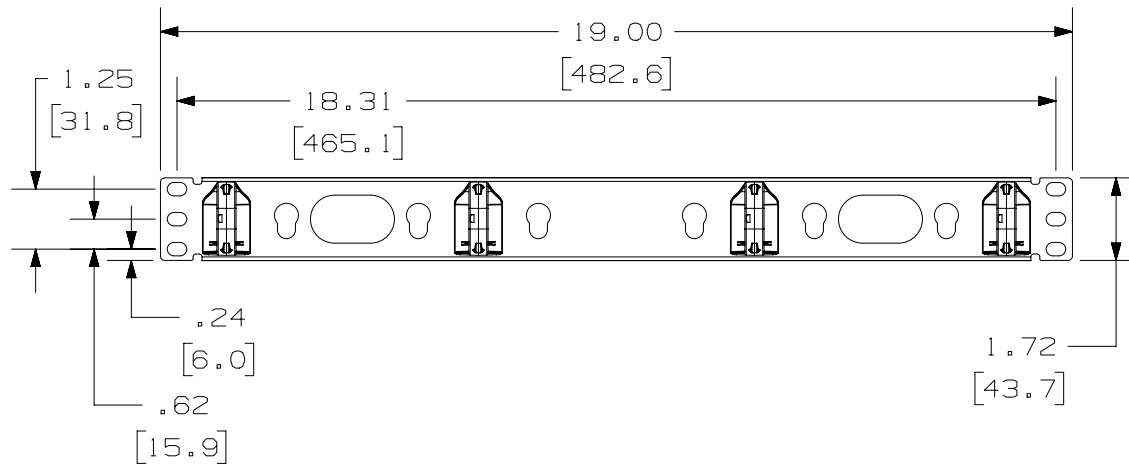
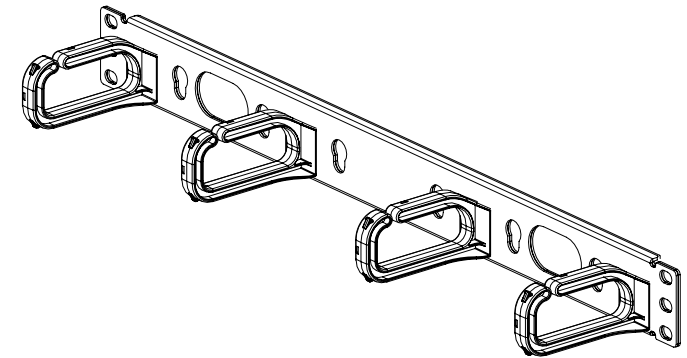
THIS COPY IS PROVIDED ON A RESTRICTED BASIS AND IS NOT TO BE USED IN ANY WAY DETRIMENTAL TO THE INTERESTS OF PANDUIT CORP.

PANDUIT P/N	WEIGHT
CMPHF1	.65 LB/EACH PC (293.4 g/EACH PC)



NOTES:

- SEE CATALOG FOR COMPLETE LIST OF PARTS APPLICABLE FOR USE WITH THIS PART.
- DIMENSIONS IN PARENTHESES ARE IN METRIC.
- COMPONENTS:  
4- D-RINGS  
1- METAL STAMPING  
4- 12-24 SCREWS
- FOR OPTIONAL SNAP ON COVER USE PART NUMBER CMPHIC.



TITLE		OPEN CABLE MANAGEMENT PANEL HORIZONTAL FRONT ONLY (CMPHF1)	
CUSTOMER DRAWING			
ITEM REVISION NAME		M00671AD/03	
DATASET FILE NAME		M00671AD_DC/03A	
UNLESS OTHERWISE SPECIFIED, DIMENSIONAL TOLERANCES ARE: IN ( mm )		MATERIAL: STAMPING- BLACK POWDER COATED C.R.S.	
DRAWING NUMBER:		D-RINGS- BLACK PC 00671-05	
THIRD ANGLE PROJECTION		SHT 1 OF 1	
DRAWN BY	DATE	CHK	SCALE
JsP	11-1-99	CEF	NONE
REV	DATE	BY	CHK
03A	3-26-15	TWV	MACA
APR		KRKE	
DESCRIPTION		ECN	
BOM ADJUSTMENT; REVISED NOTES.		00671-05	

D10100DA/15

2

1