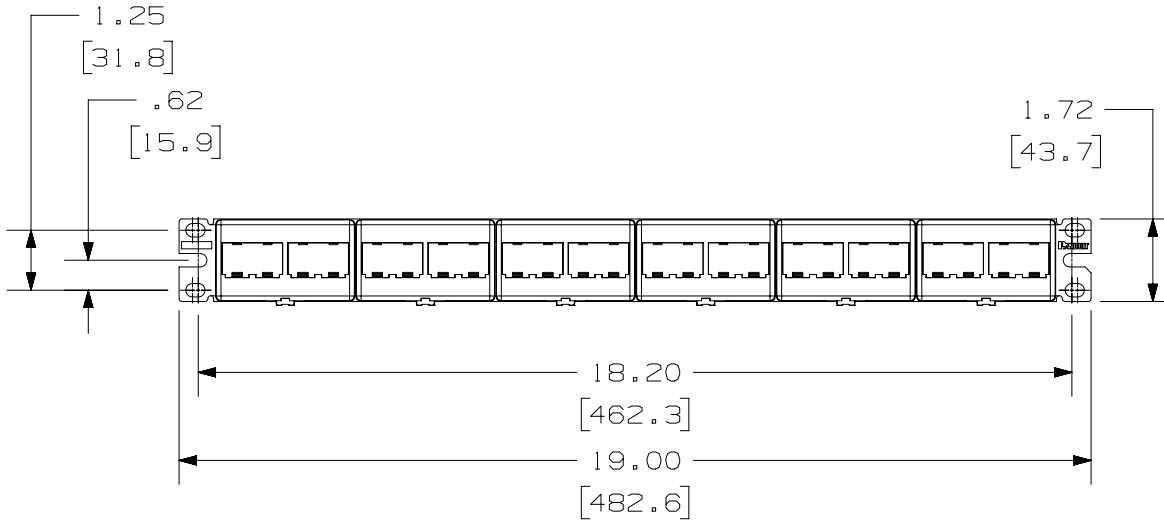
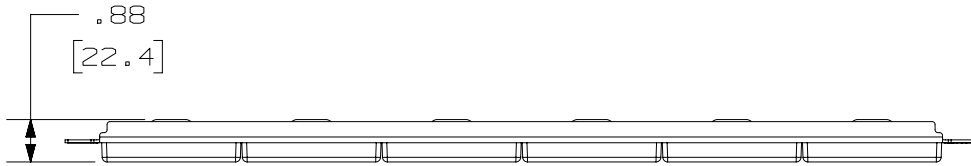


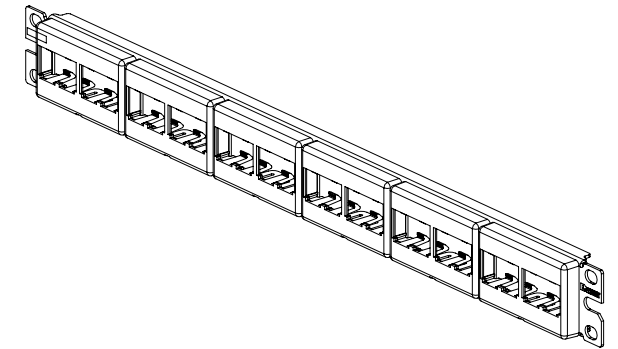
THIS COPY IS PROVIDED ON A RESTRICTED BASIS AND IS NOT TO BE USED IN ANY WAY DETRIMENTAL TO THE INTERESTS OF PANDUIT CORP.



PANDUIT P/N	WEIGHT
CPP24WBLY	6.1 LB/10 PCS (2740 g/10 PCS)

NOTES:

- SEE CURRENT CATALOG FOR ADDITIONAL PART NUMBER SUFFIXES TO INDICATE COLOR AND OR PACKAGE QUANTITY.
- SEE CATALOG FOR COMPLETE LIST OF PARTS APPLICABLE FOR USE WITH THIS PART.
- DIMENSIONS IN [] ARE IN METRIC.
- PART INCLUDES:
 - 1- METAL STAMPING
 - 6- MODULAR FACEPLATE (CFFP4)
 - 1- SCREW KIT (INCLUDES FOUR #12-24 SCREWS)



PART NUMBER		CPP24WBLY	
TITLE			
MINI-COM 24 PORT MODULAR PATCH PANEL			
CUSTOMER DRAWING			
ITEM REVISION NAME		M02479BY/01	
DATASET FILE NAME		M02479BY_DC52/01A	
UNLESS OTHERWISE SPECIFIED, DIMENSIONAL TOLERANCES ARE: IN [mm]		MATERIAL:	
.x ± .xx ± .03 (.8)		PANEL: C.R.S. FACEPLATE: ABS	
.xxx ± .010 (.3)		DRAWING NUMBER:	
ANGLES ±		02479-052	
THIRD ANGLE PROJECTION		SHT 1 OF 1	
DRAWN BY	DATE	CHK	SCALE
JSP	4-19-06	MJD	NONE
REV	DATE	BY	CHK
2	10/31/18	BAME	KRKE
1	5/7/14	JSP	REFR
R	4-19-06	JSP	MJD
DESCRIPTION		ECN	
B. REMOVED METRIC SCREW KIT		02479-052	
A. REVISED DRAWING TITLE BLOCK.		02479-052	
RELEASED TO PRODUCTION		02479-052	

D10100DA/14