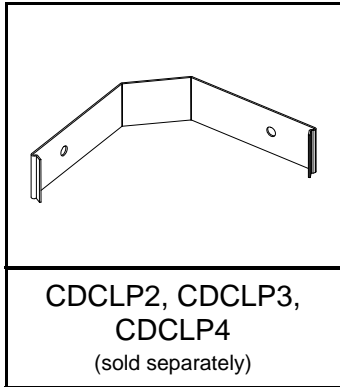
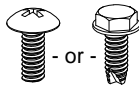


Option 1 - Panduct Corner Wiring Duct Mounting Clip

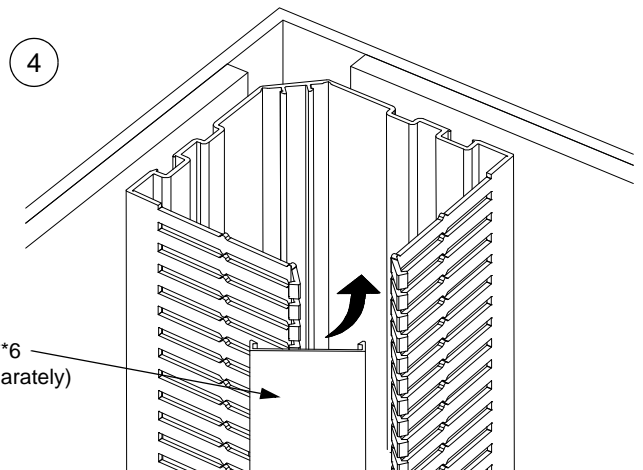
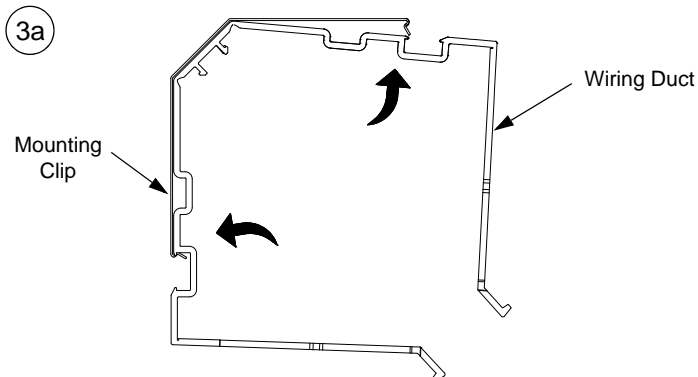
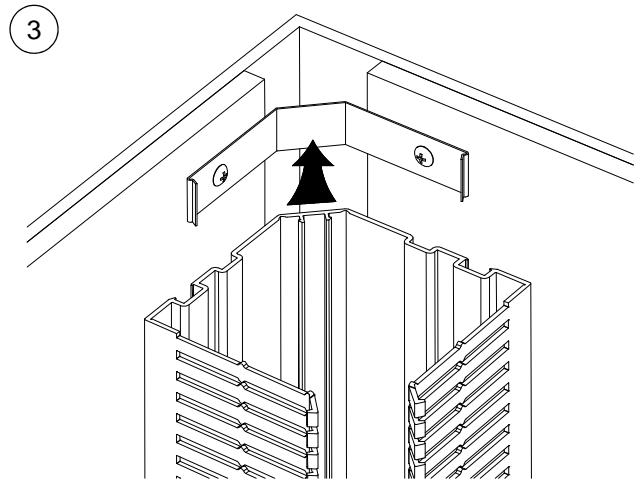
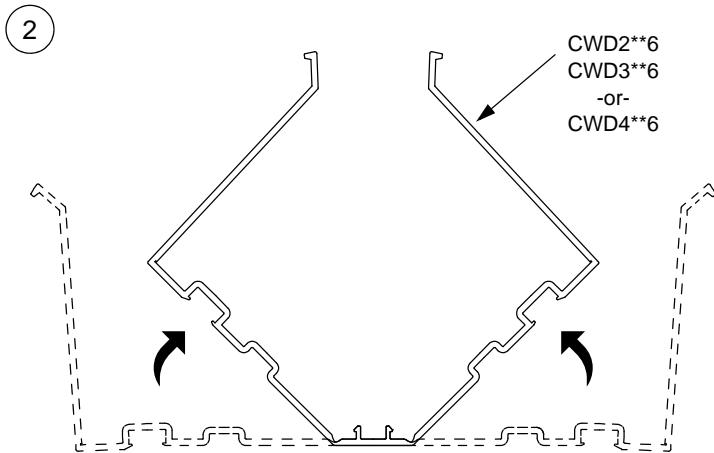
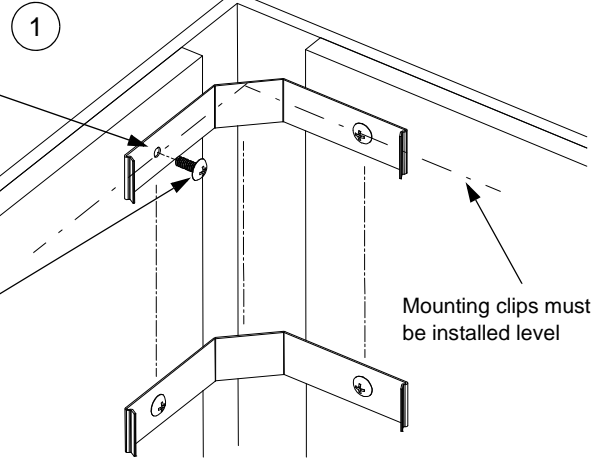
Note: Clips provide a permanent installation and are not intended to allow for product removal



Refer to chart on page 4 for
mounting hole locations

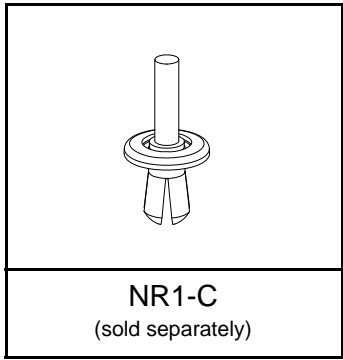


Note: #10-32 x 1/2" (or sheet metal
screw equivalent) to be supplied by
the installer/end user

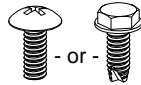


** Denotes color.

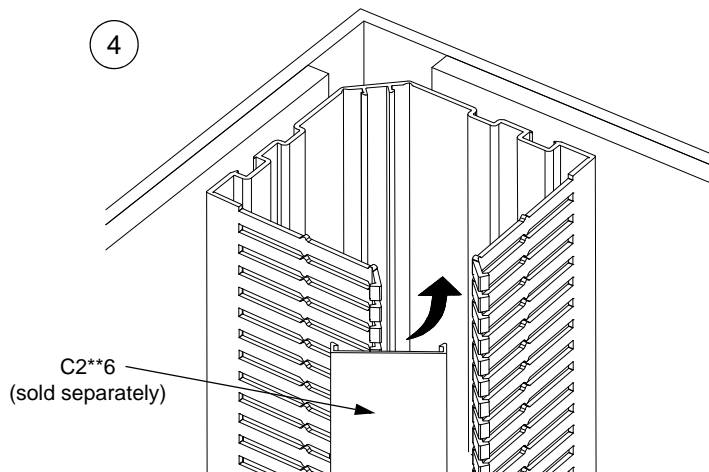
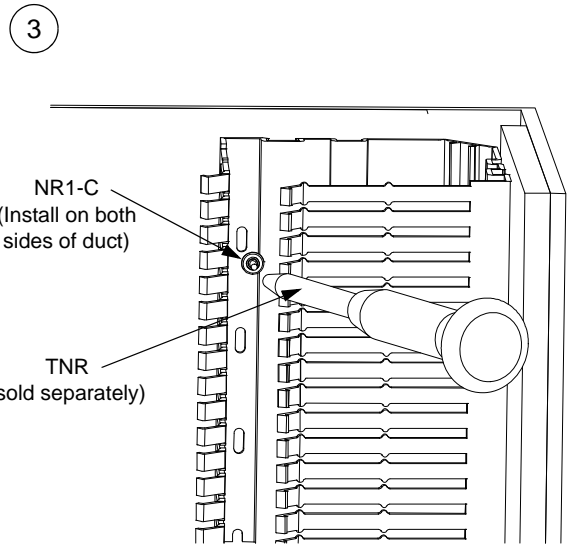
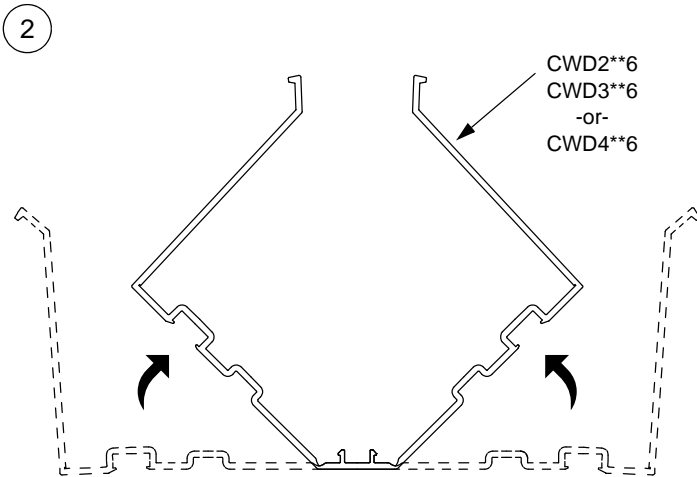
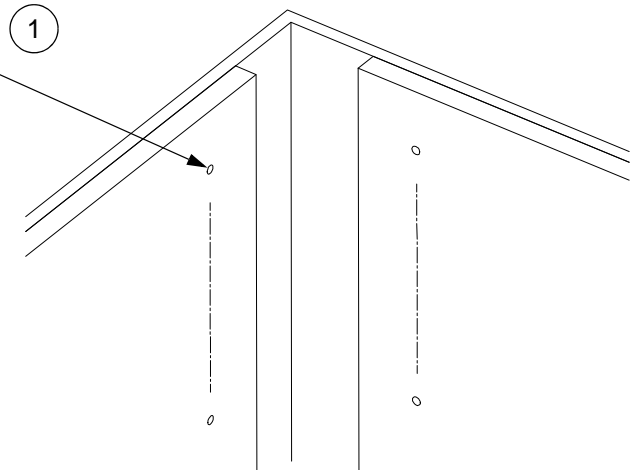
Option 2 - Panduct Nylon Rivets or Standard Fasteners



Refer to chart on page 4 for mounting hole locations

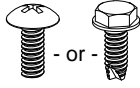
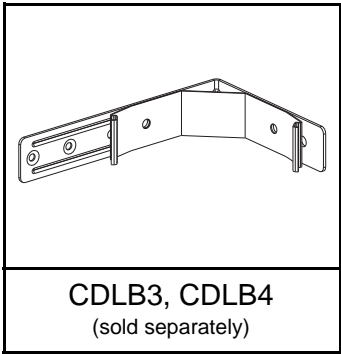


Note: #10-32 x 1/2" (or sheet metal screw equivalent) to be supplied by the installer/end user



Option 3 - Panduct Corner Wiring Duct L-Bracket Mounting

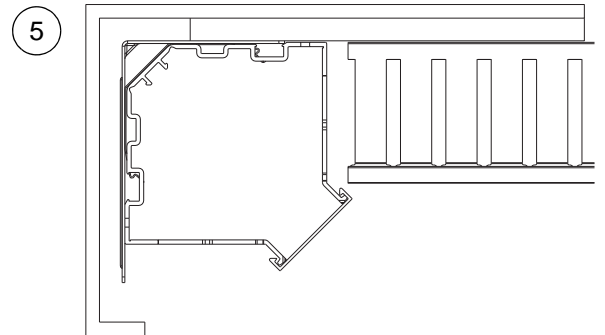
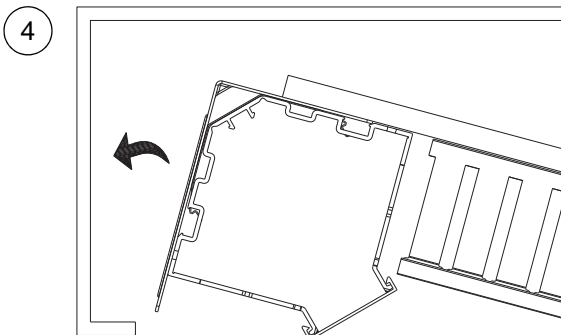
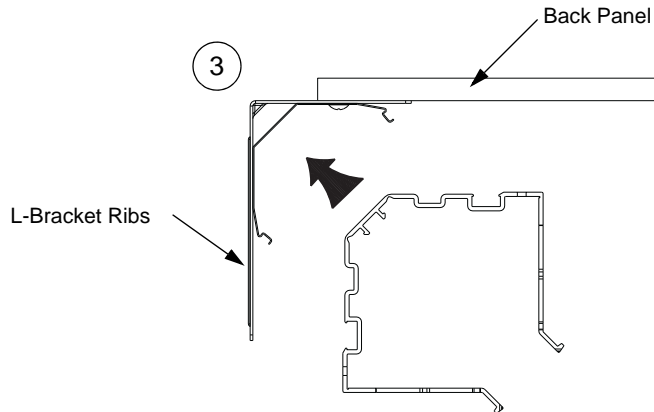
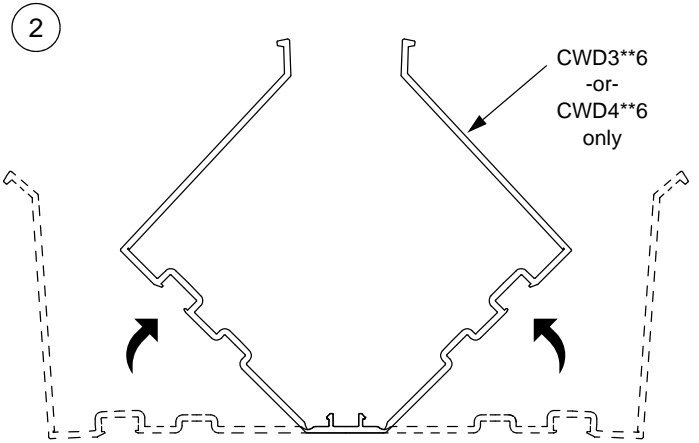
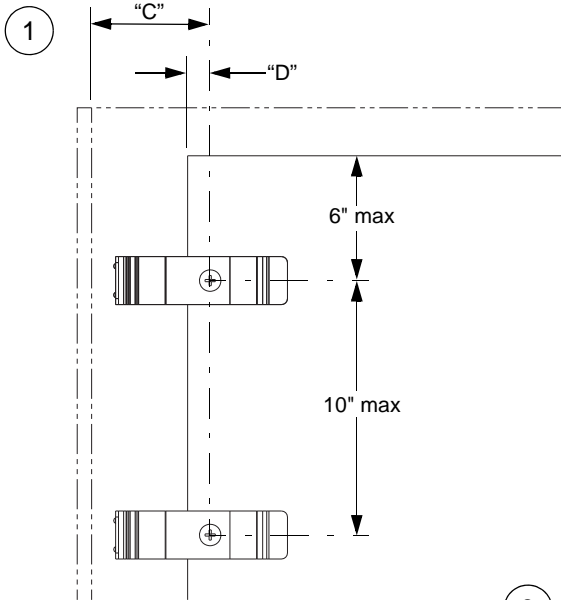
Note: For use in vertical applications only when no side panel is present.



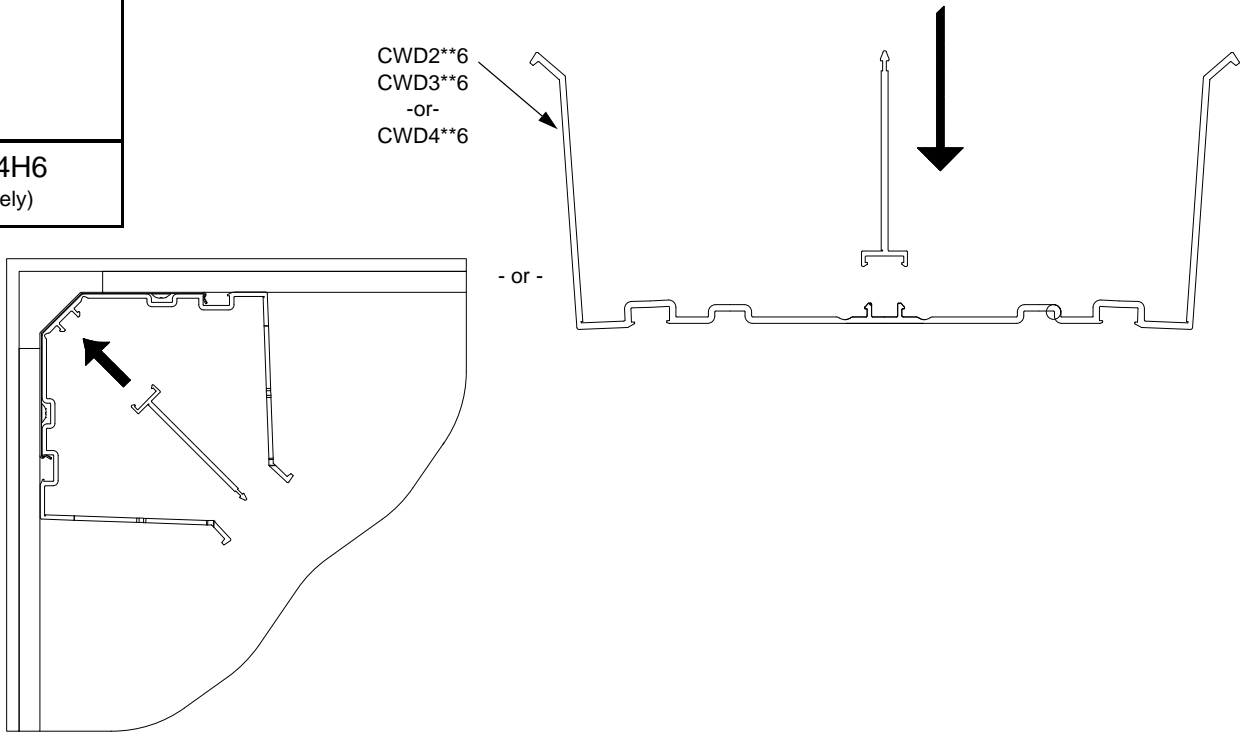
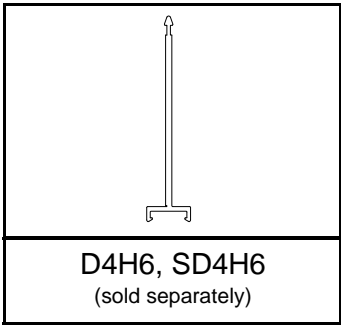
Note: #10-32 x 1/2" (or sheet metal screw equivalent) to be supplied by the installer/end user

Corner Duct L-Bracket	"C" minimum clearance to side wall	"D" minimum distance to edge of back panel
CDLB3	2.03" (51.6)	0.68" (17.4)
CDLB4	2.96" (75.2)	0.68" (17.4)

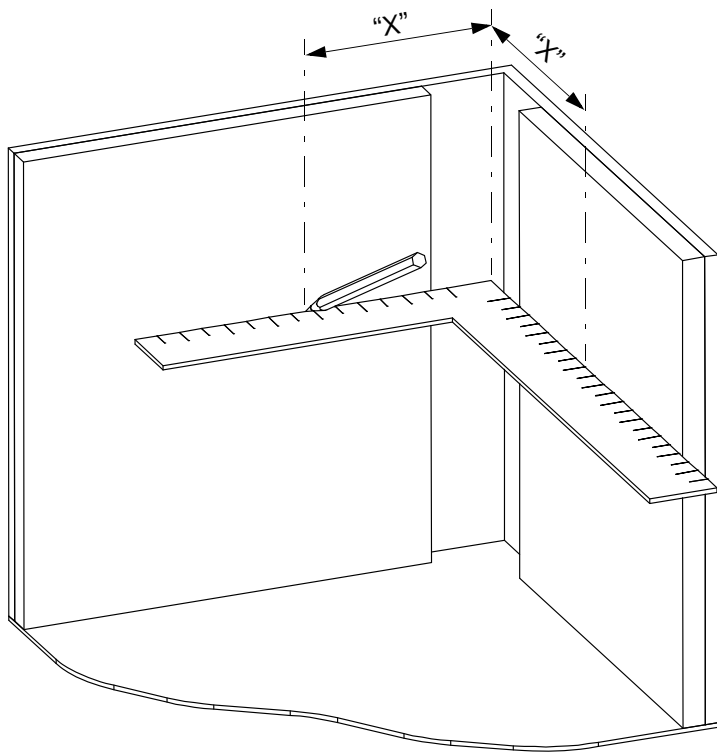
Dimensions may vary due to the depth of the side panel or due to the size of the panel opening.



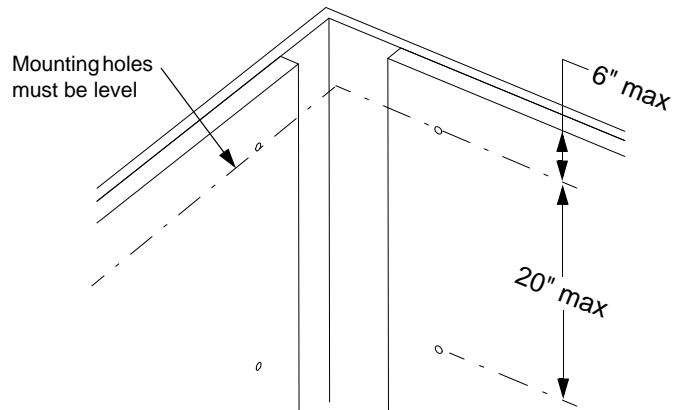
Optional Feature - Panduct Solid/Slotted Divider Wall



Mounting Hole Locations for CDCLP or Standard Fasteners (Options 1 and 2)



Corner Duct	"X" Dimension	
	CDCLP	Screws, Fasteners, or NR1-C
CWD2**6	1.60" (1 19/32")	2.95" (2 15/16")
CWD3**6	1.91" (1 29/32")	3.88" (3 7/8")
CWD4**6	2.84" (2 27/32")	4.93" (4 15/16")



<p>For Instructions in Local Languages and Technical Support: www.panduit.com/resources/install_maintain.asp</p>	<p>PANDUIT www.panduit.com</p>	<p>E-mail: techsupport@panduit.com</p> <p>Phone: 866-405-6654</p>
---	---	---