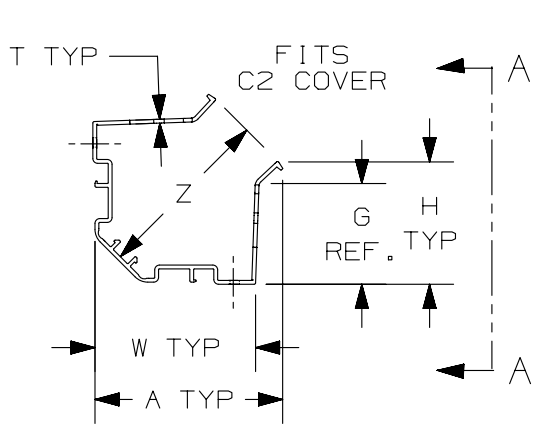
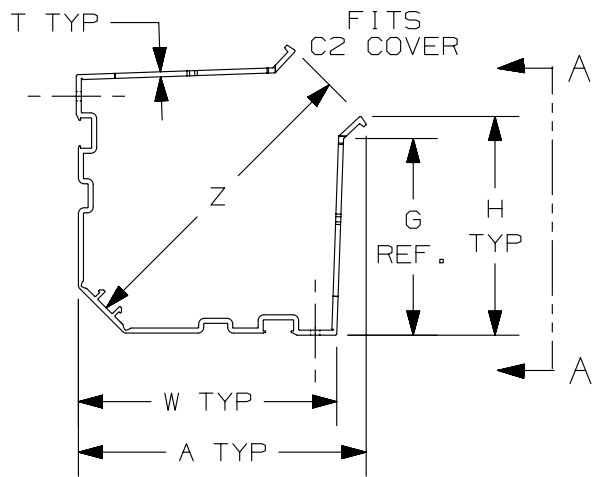


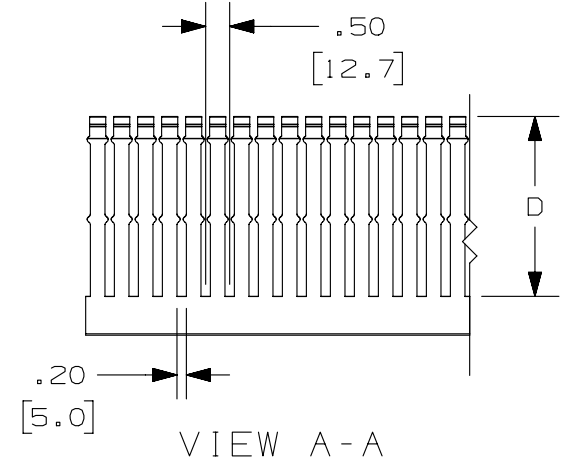
THIS COPY IS PROVIDED ON A RESTRICTED BASIS AND IS NOT TO BE USED IN ANY WAY DETRIMENTAL TO THE INTERESTS OF PANDUIT CORP.



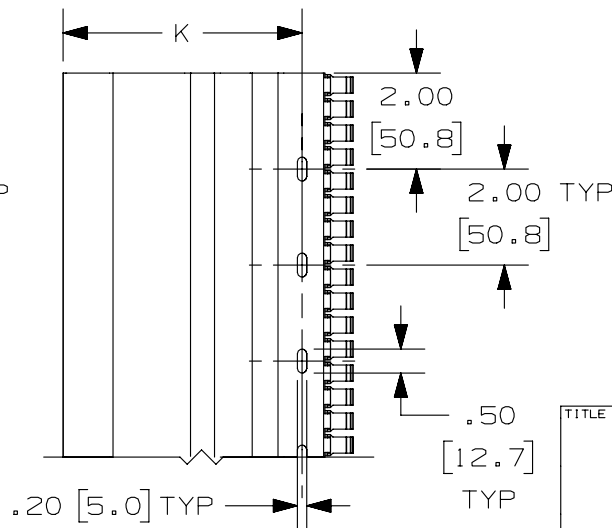
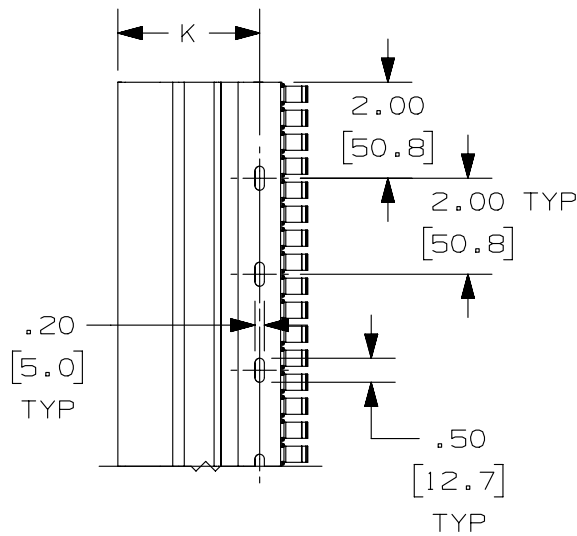
CWD 2"



CWD 3" & 4"



VIEW A-A



NOTES:

1. "W" MEASURED AT BASE.
2. STANDARD LENGTH: 6ft. (1.83m)
3. SEE CURRENT CATALOG FOR ADDITIONAL PART NUMBER SUFFIXES TO INDICATE COLOR AND OR PACKAGE QUANTITY.
4. FOR USE WITH C2**6 COVER. (SEE DRAWING # 34518-17.)
5. FOR USE WITH CDCLP2, CDCLP3 OR CDCLP4. (SEE DRAWING # 39178-04.)
6. FOR USE WITH CDLB3 OR CDLB4. (SEE DRAWING # 39257-07.)



TITLE		WIRING DUCT SPECIFICATIONS TYPE "CWD" CORNER DUCT	
		CUSTOMER DRAWING	
ITEM REVISION NAME		D39210AB/03	
DATASET FILE NAME		D39210AB_DC_CWD/03B	
UNLESS OTHERWISE SPECIFIED, DIMENSIONAL TOLERANCES ARE: IN [mm]		MATERIAL:	
.x ± .1 [.25] .xx ± .04 [.1]		PVC	
.xxx ± ANGLES ±		DRAWING NUMBER:	
 THIRD ANGLE PROJECTION		39210-03	
DRAWN BY	DATE	CHK	SCALE
JCST	01-26-06	JKG	NONE
REV	DATE	BY	CHK
3	03-16-13	JBN	RTFI
DESCRIPTION		ECN	
G. UPDATED DRAWING BORDER & TITLE BLOCK		39210-03	
SHT 1 OF 2		A	

D10100DA/15

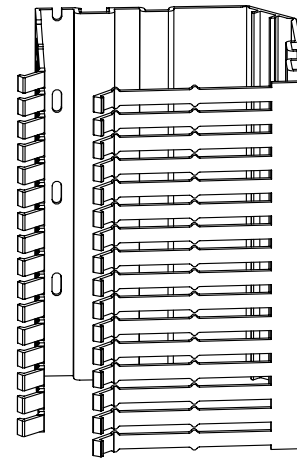
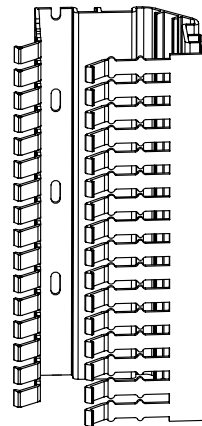
2

1

THIS COPY IS PROVIDED ON A RESTRICTED BASIS AND IS NOT TO BE USED IN ANY WAY DETRIMENTAL TO THE INTERESTS OF PANDUIT CORP.

PART NO.	A	D	G	H	K	T	W	Z
CWD2**6	3.91	1.81	2.10	2.57	2.93	.08	3.35	3.72
	99.3	45.9	53.4	65.3	74.3	2.0	85.0	94.6
CWD3**6	4.98	2.83	3.10	3.57	3.88	.10	4.40	5.16
	126.6	71.8	79.1	90.7	98.6	2.4	111.8	131.0
CWD4**6	5.94	3.84	4.10	4.58	4.93	.11	5.33	6.54
	150.9	97.5	104.1	115.7	125.2	2.7	135.3	166.0

** = COLOR



TITLE

WIRING DUCT SPECIFICATIONS TYPE "CWD" CORNER DUCT

CUSTOMER DRAWING

ITEM REVISION NAME

D39210AB/03

DATASET FILE NAME

D39210AB_DC_CWD/03B

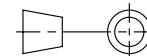
UNLESS OTHERWISE SPECIFIED,
DIMENSIONAL TOLERANCES ARE: IN [mm]

.x ± .1 [.25]

.xxx ±

.xx ± .04 [.1]

ANGLES ±

THIRD ANGLE
PROJECTION


MATERIAL:

PVC

DRAWING NUMBER:

39210-03

REV	DATE	BY	CHK	APR	DESCRIPTION	ECN
3	03-06-13	JBN	RTFI	RTFI	SEE SHEET 1 FOR REVISION DESCRIPTION	39210-03

TITLE		WIRING DUCT SPECIFICATIONS TYPE "CWD" CORNER DUCT	
CUSTOMER DRAWING			
ITEM REVISION NAME	D39210AB/03		
DATASET FILE NAME	D39210AB_DC_CWD/03B		
UNLESS OTHERWISE SPECIFIED, DIMENSIONAL TOLERANCES ARE: IN [mm]		MATERIAL:	
.x ± .1 [.25]		PVC	
.xx ± .04 [.1]		DRAWING NUMBER:	
ANGLES ±		39210-03	
THIRD ANGLE PROJECTION	THIRD ANGLE PROJECTION		
DRAWN BY	DATE	CHK	SCALE
JCST	01-26-06	JKG	NONE
SHT 2 OF 2		A	

2

1

D10100DA/15