

Data Access Port

PATENT PENDING

applications

The Data Access Port provides data port and electrical outlet access to equipment without the safety hazards of opening the panel. The access port provides availability to log in to the network at the work site and can be used for reprogramming internal controllers. The circular design allows for data access ports to be installed effortlessly by using a standard panel punch. The modular design allows for RJ45 jacks, circuit breakers, USB, and other modular connectors to be interchanged at any time, allowing

maximum design flexibility. Snap on mounting plate covers mounting screws and prevents tampering or unauthorized removal of access port from the control panel. Data access port has both a quarter turn lock and provisions for a padlock, both of which provide exceptional security. Versions are configured to accommodate any specification, including custom marking. In addition to the Simplex and GFCI outlets, options are available to incorporate standard 45mm European outlets.



technical information

Degree of Protection:	Rated Type (UL, CSA, NEMA) 4, 4X, and 12
Ingress Rating:	Complies with IP65 and IP66 per IEC 60529
UL Listed:	Listed to UL50, UL50E, UL508A, CSA C22.2 NO. 14-13, and CSA C22.2 NO. 94.1/NO. 94.2
Internationally Recognized:	CE Mark

key features and benefits

Ease of Installation:	Circular frame design allows for the use of standard punch dies providing cleaner installation and up to 50% in labor savings
Ultimate Modularity:	Modular design allows for interchangeable port layouts providing: <ul style="list-style-type: none">- Design flexibility- Field upgradeability- Adaptable inventory
Reduced Inventory:	All part numbers are rated Type (UL, CSA, NEMA) 4, 4X and 12, reducing the need to stock different SKUs for different rating listings
Locking Hasp:	Accepts Panduit lockout/tagout products or padlocks to prevent unauthorized access for improved security
Custom Marking:	Standard SKUs have custom marking options, allowing users to place custom artwork on the cover of the 3" and 4" data access ports models
Complete Compliance:	All 3" and 4" Data Access Ports are UL Listed to FTTA/FTTA7 allowing for installation without further evaluation.

specifications

Data access ports provide end users a safe and secure means to maintain and monitor performance of PLCs, VFDs, and industrial networks. Integrated security features shall prevent the disruption of service or unwanted access by unauthorized personnel. Non-arc flash certified personnel can access networks within the panel which reduces cost, increases efficiency, and promotes overall safety. Furthermore, the new, innovative circular design allows for quick and easy installation. Aluminum casted base with a low profile, plastic impact resistant cover and modular faceplate mount protects all connections.

www.panduit.com

PANDUIT®

SPECIFICATION SHEET

4 Inch Data Access Port*

Data Access Port, 4in. Base, GFCI Outlet, Cat 5e Coupler: DAP4BC-G0-5

Data Access Port, 4in. Base, GFCI Outlet, Cat 5e Coupler, 3 Amp Breaker: DAP4BC-G3-5

*See part information table for full product offering

3 Inch Data Access Port*

Data Access Port, 3in. Base, Simplex Outlet, CAT 5e Coupler: DAP3BC-S0-5

Data Access Port, 3in. Base, Simplex Outlet, 3 Amp Breaker, CAT 5e Coupler: DAP3BC-S3-5

*See part information table for full product offering

Related Products

30 Millimeter Data Access Port*

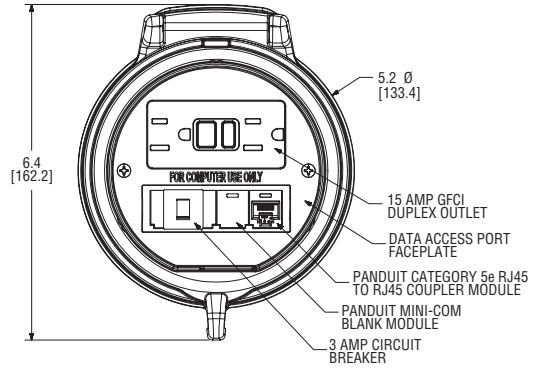
30mm, IndustrialNet™ USB industrial bulkhead connector with protective cover: IAEBHUSBAA

*See part information table for full product offering

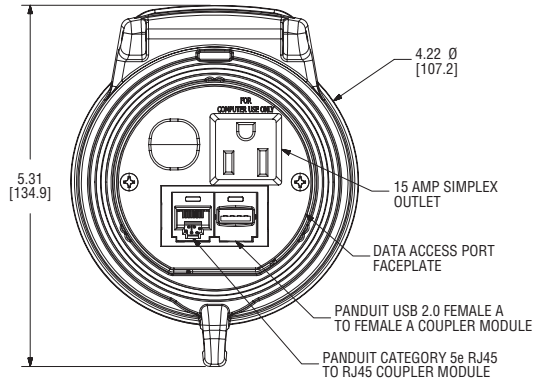
Data Access Port

Preconfigured Assemblies

4" Frame	
Part Number	Description
DAP4BC-G0	Data Access Port, 4in. Base, GFCI Outlet
DAP4BB-G0	Data Access Port, 4in. Base w/ Black Cover, GFCI Outlet
DAP4BC-X0	Data Access Port, 4in. Base w/ International Faceplate insert
DAP4BC-G0-5U	Data Access Port, 4in. Base, GFCI Outlet, CAT 5e Coupler, USB Coupler
DAP4BC-G0-5	Data Access Port, 4in. Base, GFCI Outlet, CAT 5e Coupler
DAP4BC-G3-5	Data Access Port, 4in. Base, GFCI Outlet, CAT 5e Coupler, 3 Amp Breaker
DAP4BC-G0-4	Data Access Port, 4in. Base, GFCI Outlet, CAT 5e Shielded Coupler
DAP4BC-G3-4	Data Access Port, 4in. Base, GFCI Outlet, CAT 5e Shielded Coupler, 3 Amp Breaker
DAP4BC-G0-6	Data Access Port, 4in. Base, GFCI Outlet, CAT 6 Coupler
DAP4BC-G3-6	Data Access Port, 4in. Base, GFCI Outlet, CAT 6 Coupler, 3 Amp Breaker

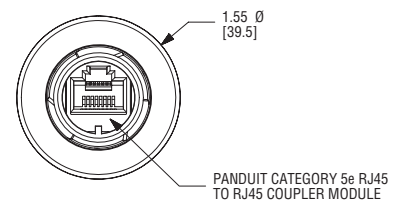


3" Frame	
Part Number	Description
DAP3BC-S0	Data Access Port, 3in. Base, Simplex Outlet
DAP3BB-S0	Data Access Port, 3in. Base w/ Black Cover, Simplex Outlet
DAP3BC-00	Data Access Port, 3in. Base, 4 blank data modules, no power
DAP3BC-00-55	Data Access Port, 3in. Base, Two CAT 5e Couplers
DAP3BC-S0-55	Data Access Port, 3in. Base, Simplex Outlet, Two CAT 5e Couplers
DAP3BC-S0-5U	Data Access Port, 3in. Base, Simplex Outlet, CAT 5e Coupler, USB Coupler
DAP3BC-S0-5	Data Access Port, 3in. Base, Simplex Outlet, CAT 5e Coupler
DAP3BC-S3-5	Data Access Port, 3in. Base, Simplex Outlet, 3 Amp Breaker, CAT 5e Coupler
DAP3BC-S0-4	Data Access Port, 3in. Base, Simplex Outlet, CAT 5e Shielded Coupler
DAP3BC-S3-4	Data Access Port, 3in. Base, Simplex Outlet, 3 Amp Circuit Breaker, CAT 5e Shielded Coupler
DAP3BC-S0-6	Data Access Port, 3in. Base, Simplex Outlet, CAT 6 Coupler
DAP3BC-S3-6	Data Access Port, 3in. Base, Simplex Outlet, 3 Amp Breaker, CAT 6 Coupler



IndustrialNet™ Bulkhead Connectors

30mm Frame	
Part Number	Description
IAEBHUSBAA	30mm IndustrialNet™ USB industrial bulkhead connector with protective cover
IAEBH5E	30mm IndustrialNet™ Category 5e, 8-position, 8-wire industrial bulkhead connector with protective cover
IAEBHC5E	30mm IndustrialNet™ Category 5e, 8-position, 8-wire industrial black bulkhead coupler with protective cover.
IAEBH5ES	30mm IndustrialNet™ Category 5e, 8-position, 8-wire shielded industrial connector with protective cover.
IAEBHC5ES	30mm IndustrialNet™ Category 5e, 8-position, 8-wire shielded industrial bulkhead coupler with protective cover.
IAEBH6	30mm IndustrialNet™ Category 6, RJ45, 8-position, 8-wire industrial bulkhead connector with protective cover.
IAEBHC6	30mm IndustrialNet™ Category 6, RJ45, 8-position, 8-wire black industrial bulkhead coupler with protective cover.
IAEBH6S	30mm IndustrialNet™ Category 6, RJ45, 8-position, 8-wire shielded black industrial bulkhead connector with protective cover.



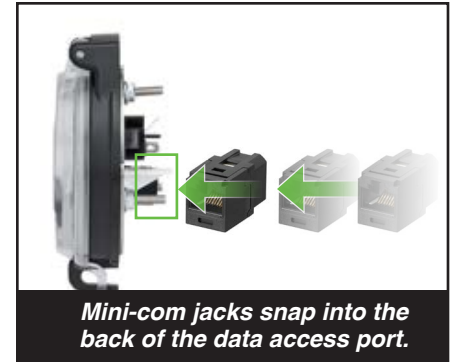
Data Access Port

Configuration Options

The modular design of the Data Access Port allows for RJ45 jacks, circuit breakers, USB, and other modular connectors to be interchanged at any time, allowing maximum design flexibility. To customize the Data Access Port to meet your specific application needs, please refer to the steps below:

Step 1: Choose Your Base

Select one of the part numbers below or any of the preconfigured solutions on the previous pages.



Step 2: Choose Data/Circuit Breaker Options



CIRCUIT BREAKER/DATA OPTIONS

Part Number	Description
DAP-3AMP-KIT	Data Access Port 3 Amp Circuit Breaker Kit
DAP-5AMP-KIT	Data Access Port 5 Amp Circuit Breaker Kit
CC5E88BL*	Category 5e, RJ45, 8-position, 8-wire universal coupler module, black.
CCS5E88BL	Category 5e shielded, RJ45, 8-position, 8-wire universal coupler module, black.
CMUSBAABL*	Mini-Com® USB 2.0 female A to female A coupler module, Black.
CC688BL*	Category 6, RJ45, 8-position, 8-wire universal coupler module, black.
CC6X88BL*	Category 6A, RJ45, 8-position, 8-wire universal coupler module, black.
IAPHD9CWH	9-pin female/female D-subminiature coupler in 1/3-size insert for use with Data Access Port.

*To designate color, add suffix BL (Black), IW (Off White), BU (Blue), GR (Green), OR (Orange), RD (Red), IG (International Gray) or YL (Yellow).

Other Mini-Com style modules are available. See Panduit website for more details.

Data Access Port

Step 3: Choose International Power Options (for DAP4BC-X0 only)



DAPI-UK



DAPI-SCHUKO



DAPI-AUSCN



DAPI-FRE



DAPI-USEU



DAPI-MULTI

POWER OPTIONS	
Part Number	Description
DAPI-UK	British Socket, 13A - 250 VAC, for use with Panduit Data Access Port DAP4BC-X0
DAPI-AUSCN	Australia, China, New Zealand Socket, 10A - 250 VAC, for use with Panduit Data Access Port DAP4BC-X0
DAPI-USEU	Euro/US Socket, 15A - 127 VAC, 16A - 250 VAC, for use with Panduit Data Access Port DAP4BC-X0
DAPI-SCHUKO	Continental Europe "Schuko", 16A - 250 VAC, for use with Panduit Data Access Port DAP4BC-X0
DAPI-FRE	Franco/Belgian Socket, 16A - 250 VAC, for use with Panduit Data Access Port DAP4BC-X0
DAPI-MULTI	Universal International Socket, 15A - 127VAC, 5-6-10-13A 250VAC, for use with Panduit Data Access Port DAP4BC-X0

Custom Marking Available

Standard SKUs have custom marking options, allowing users to place custom artwork on the cover of the 3" and 4" data access port models. Contact Panduit Customer Service for the Data Access Port Custom Order Form at cs@panduit.com or 800.777.3300



Data Access Port Custom Order Form

Step One: Fill in the following information:

Date: _____ Distributor Name: _____
 Customer Company Name: _____ Account #: _____
 Contact Name: _____ Contact Name: _____
 Phone Number: _____ Phone #: _____
 Purchase Order #: _____ Panduit Sales Rep: _____

Step Two: Choose your Data Access Port: *(Only one selection per form - Approximate Lead Time - 3 - 4 weeks)*
NOTE: IMAGE WILL BE CENTERED JUSTIFIED

3 Inch Base

<input type="radio"/>	DAP3BC-00C	Data Access Port, 3in. Base, Simplex Power
<input type="radio"/>	DAP3BC-00C	Data Access Port, 3in. Base, 4 blank data modules, no power
<input type="radio"/>	DAP3BC-00-55C	Data Access Port, 3in. Base, Two CAT 5e Couplers
<input type="radio"/>	DAP3BC-00-55C	Data Access Port, 3in. Base, Simplex Outlet, Two CAT 5e Couplers
<input type="radio"/>	DAP3BC-00-55C	Data Access Port, 3in. Base, Simplex Outlet, CAT 5e Coupler, USB Coupler
<input type="radio"/>	DAP3BC-00-55C	Data Access Port, 3in. Base, Simplex Outlet, CAT 5e Coupler
<input type="radio"/>	DAP3BC-03-5C	Data Access Port, 3in. Base, Simplex Outlet, 3 Amp Breaker, CAT 5e Coupler
<input type="radio"/>	DAP3BC-03-5C	Data Access Port, 3in. Base, Simplex Outlet, CAT 5e Shielded Coupler
<input type="radio"/>	DAP3BC-03-5C	Data Access Port, 3in. Base, Simplex Outlet, 3 Amp Circuit Breaker, CAT 5e Shielded Coupler
<input type="radio"/>	DAP3BC-03-5C	Data Access Port, 3in. Base, Simplex Outlet, CAT 6 Coupler
<input type="radio"/>	DAP3BC-03-5C	Data Access Port, 3in. Base, Simplex Outlet, 3 Amp Breaker, CAT 6 Coupler

4 Inch Base

<input type="radio"/>	DAP4BC-G0-C	Data Access Port, 4in. Base, GFCI Outlet
<input type="radio"/>	DAP4BC-X0-C	Data Access Port, 4in Base w/ International Faceplate insert
<input type="radio"/>	DAP4BC-G0-5UC	Data Access Port, 4in. Base, GFCI Outlet, CAT 5e Coupler, USB Coupler
<input type="radio"/>	DAP4BC-G0-5C	Data Access Port, 4in. Base, GFCI Outlet, CAT 5e Coupler
<input type="radio"/>	DAP4BC-G3-5C	Data Access Port, 4in. Base, GFCI Outlet, CAT 5e Coupler, 3 Amp Breaker
<input type="radio"/>	DAP4BC-G0-4C	Data Access Port, 4in. Base, GFCI Outlet, CAT 5e Shielded Coupler
<input type="radio"/>	DAP4BC-G3-4C	Data Access Port, 4in. Base, GFCI Outlet, CAT 5e Shielded Coupler, 3 Amp Breaker
<input type="radio"/>	DAP4BC-G0-4C	Data Access Port, 4in. Base, GFCI Outlet, CAT 6 Coupler
<input type="radio"/>	DAP4BC-G3-4C	Data Access Port, 4in. Base, GFCI Outlet, CAT 6 Coupler, 3 Amp Breaker

Step Three: Fill in shipping information

Ship to: _____ Panduit
 Customer Name: _____ Customer Service
 Attention: _____ FAX # 708.532.1811
 Address: _____ EMAIL: mailto:GA.DAP@panduit.com
 City: _____ State: _____ Zip: _____

Step Four: Please email this completed form along with the high-quality image to:

5/1/19 Rev. 2

WORLDWIDE SUBSIDIARIES AND SALES OFFICES

PANDUIT CANADA
 Markham, Ontario
cs-cdn@panduit.com
 Phone: 800.777.3300

PANDUIT EUROPE LTD.
 London, UK
cs-emea@panduit.com
 Phone: 44.20.8601.7200

PANDUIT SINGAPORE PTE. LTD.
 Republic of Singapore
cs-ap@panduit.com
 Phone: 65.6305.7575

PANDUIT JAPAN
 Tokyo, Japan
cs-japan@panduit.com
 Phone: 81.3.6863.6000

PANDUIT LATIN AMERICA
 Guadalajara, Mexico
cs-la@panduit.com
 Phone: 52.33.3777.6000

PANDUIT AUSTRALIA PTY. LTD.
 Victoria, Australia
cs-aus@panduit.com
 Phone: 61.3.9794.9020

For a copy of Panduit product warranties, log on to www.panduit.com/warranty

For more information

Visit us at www.panduit.com

Contact Customer Service by email: cs@panduit.com
 or by phone: 800.777.3300

© 2019 Panduit Corp.
 ALL RIGHTS RESERVED.
 SFSF07--SA-ENG
 REPLACES SFSP06--SA-ENG
 8/2019

