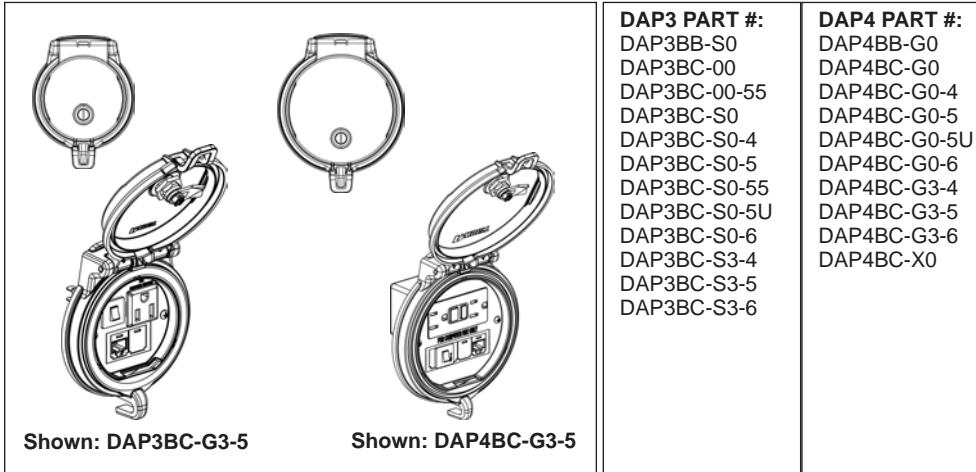



INSTALLATION INSTRUCTIONS

© Panduit Corp. 2019




Data Access Ports (DAP), provide end users a safe and secure means to maintain and monitor performance of PLCs, VFDs, and industrial networks.

Integrated security features shall prevent the disruption of service or unwanted access by unauthorized personnel. Non-arc flash certified personnel can access networks within the panel which reduces cost, increases efficiency, and promotes overall safety. Furthermore, the new, innovative circular design allows for quick and easy installation.

 **NOTE:** In the interest of higher quality and value, Panduit products are continually being improved and updated. Consequently, pictures may vary from the enclosed product.

NOTE: Updates to this Instruction Manual may be available. Check www.panduit.com for the latest version of this manual.

 **TO REDUCE THE RISK OF INJURY, USER MUST READ INSTRUCTION MANUAL**

Safety Information

Failure to comply with the warnings and information in this manual could result in product failure, electrical shock, severe injury or death.



Technical Specifications

Warning: Do not use this product outside of the specified performance and environmental limits. Failure to comply with these specifications could result in product failure, personal injury, or death.

Warning

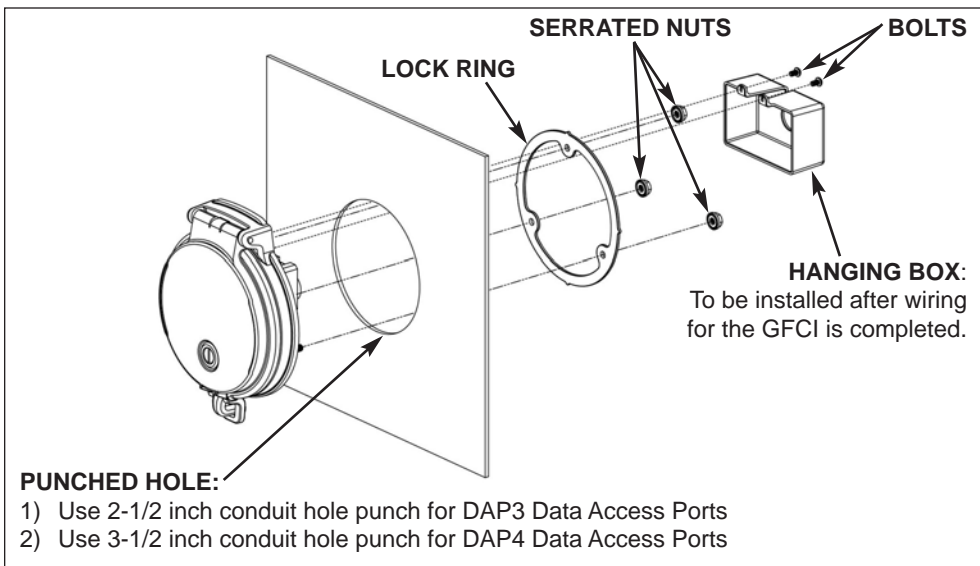
- Always de-energize power before accessing an electrical enclosure.
- Always follow safety and lockout/tagout procedures when working on or near electrical systems and equipment.
- Use proper personal protective equipment (PPE) when working around sources of hazardous electrical energy.
- Do not use this product outside of the specified performance and environmental limits.
- This product must be installed by a qualified worker.
- Always comply with local installation codes and standards.

Information de Sécurité

- Toujours éteindre l'alimentation électrique avant d'accéder à un boîtier électrique.
- Suivez toujours les procédures de sécurité et de verrouillage / étiquetage (lockout/tagout) quand vous travaillez sur ou à proximité de systèmes et d'équipements électriques.
- Utilisez un équipement de protection individuelle approprié (EPI) lorsque vous travaillez autour de sources d'énergie électrique dangereuse.
- N'utilisez pas ce produit en dehors des performances spécifiées et des limites environnementales.
- Ce produit doit être installé par un ouvrier qualifié.
- Respectez toujours les codes et les normes d'installation locaux.

Standards	
UL 50E	ENCLOSURES FOR ELECTRICAL EQUIPMENT, ENVIRONMENTAL CONSIDERATIONS
UL 50	ENCLOSURES FOR ELECTRICAL EQUIPMENT, NON-ENVIRONMENTAL CONSIDERATIONS
CSA C22.2 NO. 94.1	ENCLOSURES FOR ELECTRICAL EQUIPMENT, NON-ENVIRONMENTAL CONSIDERATIONS
CSA C22.2 NO. 94.2	ENCLOSURES FOR ELECTRICAL EQUIPMENT, ENVIRONMENTAL CONSIDERATIONS
UL 508A	STANDARD FOR INDUSTRIAL CONTROL PANELS
CSA C22.2 NO. 14-13	INDUSTRIAL CONTROL EQUIPMENT
IEC 60529	DEGREES OF PROTECTION REQUIRED BY ENCLOSURE
Application	
Degree of Protection	For Flat Surface Mounting in a TYPE (UL, NEMA and CSA) 4, 4X, 12, 13, IP65 and IP66 Enclosures.


PANDUIT
www.panduit.com
Technical Support:
 1-800-777-3300
 Email: techsupport@panduit.com



PUNCHED HOLE:

- 1) Use 2-1/2 inch conduit hole punch for DAP3 Data Access Ports
- 2) Use 3-1/2 inch conduit hole punch for DAP4 Data Access Ports

Installation Instructions:

1. Punch recommended hole size per application.
2. Install Data Access Port in front side of panel.
3. Install Lock Ring over supplied Bolts (3) [not shown].
4. Secure Lock Ring with supplied Serrated Nuts (3) by torquing the nuts to 32 IN*LB.
5. Insure all nuts are torqued to 32 IN*LB after initial torque down.
6. Wire electrical components per local electrical code.
7. Install Hanging Box with supplied Bolts (2) [only applicable on the DAP4 Data Access Port with GFCI outlet].

Punch Die Numbers

DAP3:

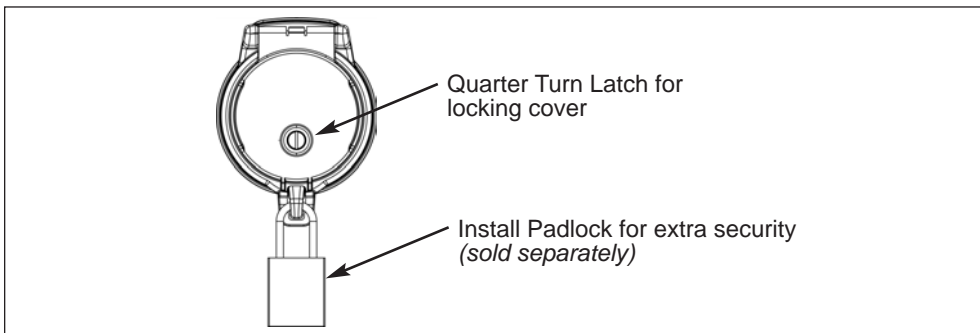
- Greenlee 738BB (mild steel)
- Greenlee 745H-2-1/2 (stainless steel)

- Panduit DAP3PUNCH-MS (mild steel)
- Panduit DAP3PUNCH-SS (stainless steel)

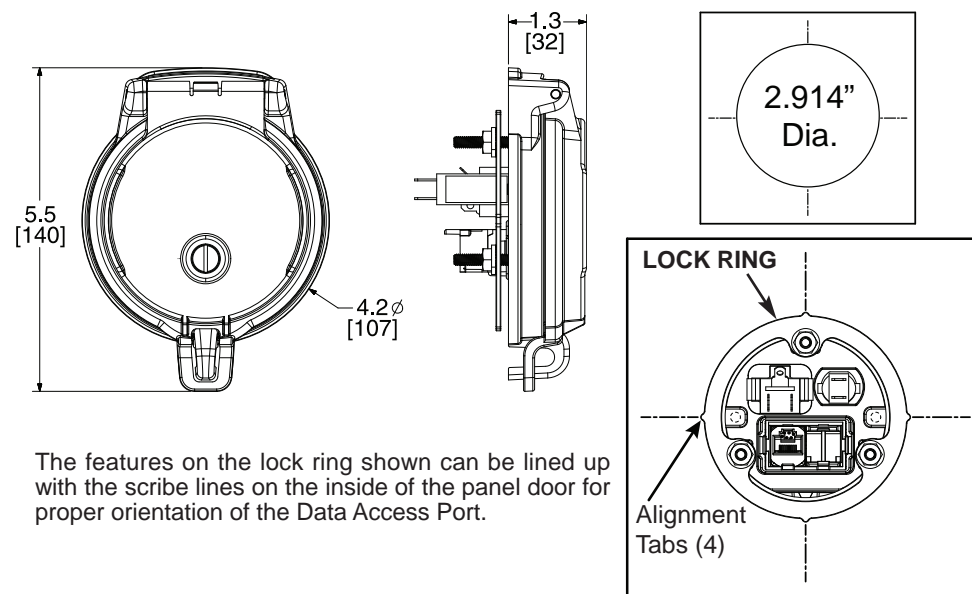
DAP4:

- Greenlee 741BB (mild steel)
- Greenlee 745H-3-1/2 (stainless steel)

- Panduit DAP4PUNCH-MS (mild steel)
- Panduit DAP4PUNCH-SS (stainless steel)



**General Dimensions
DAP3 Data Access Port**



DAP4 Data Access Port

