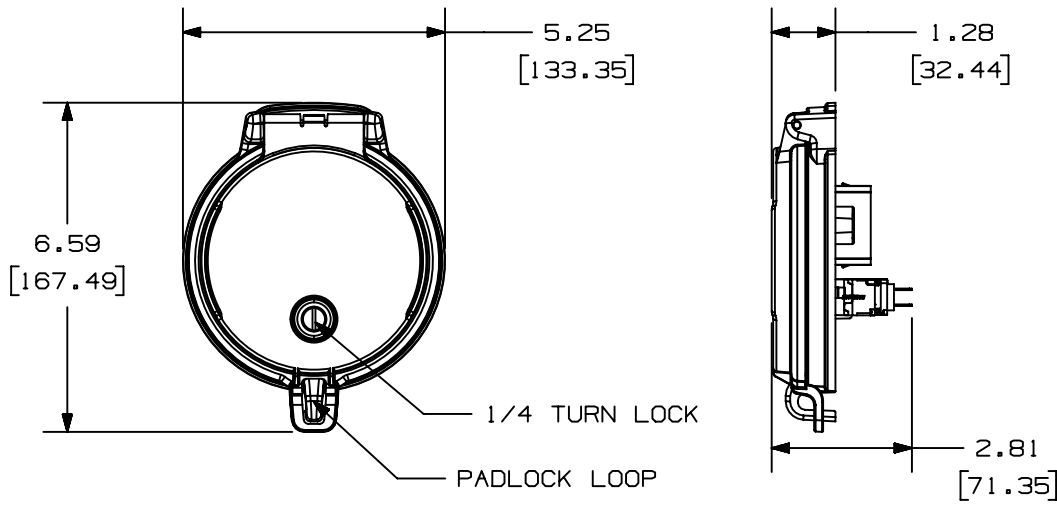
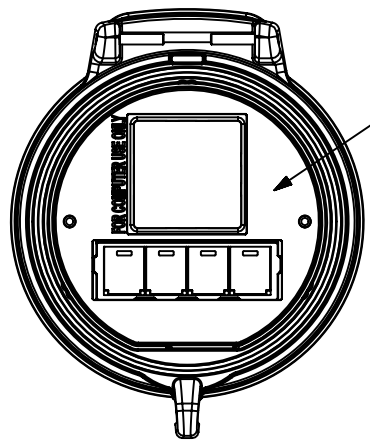


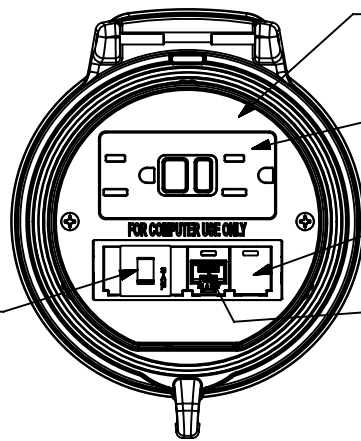
THIS COPY IS PROVIDED ON A RESTRICTED BASIS AND IS NOT TO BE USED IN ANY WAY DETRIMENTAL TO THE INTERESTS OF PANDUIT CORP.



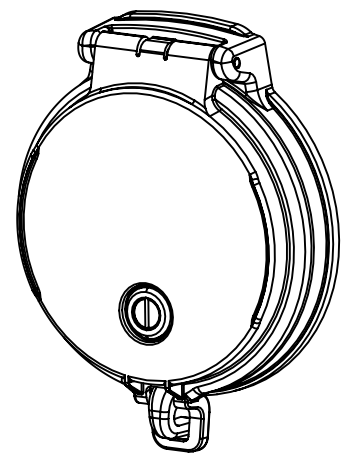
- NOTES:
1. SEE SHEET 2 OF 2 FOR PART NUMBER MATRIX. SEE CURRENT CATALOG FOR ADDITIONAL PART NUMBER SUFFIXES TO INDICATE COLOR AND OR PACKAGE QUANTITY.
  2. SEE CATALOG FOR COMPLETE LIST OF PARTS APPLICABLE FOR USE WITH THIS PART.
  3. DIMENSIONS IN [ ] ARE IN METRIC.
  4. SEE TABLE FOR INCLUDED OPTIONS.
  5. CUSTOM MARKING AVAILABLE, PLEASE CONTACT CUSTOMER SERVICE FOR OPTIONS.
  6. INCLUDES ALL NECESSARY HARDWARE.
  7. 3.5 IN CONDUIT PUNCH (SOLD SEPARATELY):  
 MILD STEEL: DAP4PUNCH-MS  
 STAINLESS STEEL: DAP4PUNCH-SS



SHOWN: DAP4BC-XQ



SHOWN: DAP4BC-G3-5



A  
N  
G  
L  
O  
B  
A  
L  
\_  
A  
S  
I  
Z  
E

00	03.19.19	BDK	DJSL	MSAD	RELEASED TO PRODUCTION	046131
REV	DATE	BY	CHK	APR	DESCRIPTION	ECN

TITLE						4" DATA ACCESS PORT ASSEMBLY		
ITEM REVISION NAME						CUSTOMER DRAWING		
00229EAC/00						<b>PANDUIT</b>		
DATASET FILE NAME								
00229EAC_DC/00						MATERIAL:		
UNLESS OTHERWISE SPECIFIED, DIMENSIONAL TOLERANCES ARE: IN [ mm ]						N/A		
.x ± .1 [ 2.54 ]      .xxx ± .005 [ .127 ]						DRAWING NUMBER:		
.xx ± .01 [ .25 ]      ANGLES ± 1°								
						THIRD ANGLE PROJECTION		
00	03.19.19	BDK	DJSL	MSAD	RELEASED TO PRODUCTION	046131	00229EAC_DC	
DRAWN BY	DATE	CHK	SCALE			DRAWING NUMBER:	SHT 1 OF 2	
BDK	03.19.19	DJSL	N.T.S.			00229EAC_DC	A	

2

1

THIS COPY IS PROVIDED ON A RESTRICTED BASIS AND IS NOT TO BE USED IN ANY WAY DETRIMENTAL TO THE INTERESTS OF PANDUIT CORP.

PART NUMBER	15A GFCI RECEPTACLE	3 AMP CIRCUIT BREAKER	CATEGORY 5E COUPLER	CATEGORY 5E SHIELDED COUPLER	CATEGORY 6 COUPLER	USB 2.0 COUPLER
DAP4BC-G0	1					
DAP4BC-G0-5U	1		1			1
DAP4BC-G0-5	1		1			
DAP4BC-G3-5	1	1	1			
DAP4BC-G0-4	1			1		
DAP4BC-G3-4	1	1		1		
DAP4BC-G0-6	1				1	
DAP4BC-G3-6	1	1			1	
DAP4BB-G0	1					
DAP4BC-X0						

B

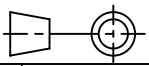
B

A

A

GLOBAL SIZE

00	03.19.19	BDK	DJSL	MSAD	SEE SHEET 1 OF 2	046131
REV	DATE	BY	CHK	APR	DESCRIPTION	ECN

TITLE <b>4" DATA ACCESS PORT ASSEMBLY</b>					
CUSTOMER DRAWING					
ITEM REVISION NAME <b>00229EAC/00</b>			<b>PANDUIT</b>		
DATASET FILE NAME <b>00229EAC_DC/00</b>					
UNLESS OTHERWISE SPECIFIED, DIMENSIONAL TOLERANCES ARE: IN [ mm ]			MATERIAL: <b>N/A</b>		
.x ± .1 [ 2.54 ]		.xxx ± .005 [ .127 ]		DRAWING NUMBER: <b>00229EAC_DC</b>	
.xx ± .01 [ .25 ]		ANGLES ± 1°		THIRD ANGLE PROJECTION	
					
DRAWN BY <b>BDK</b>	DATE <b>03.19.19</b>	CHK <b>DJSL</b>	SCALE <b>N.T.S.</b>	SHT 2 OF 2	
				SIZE <b>A</b>	

2

1