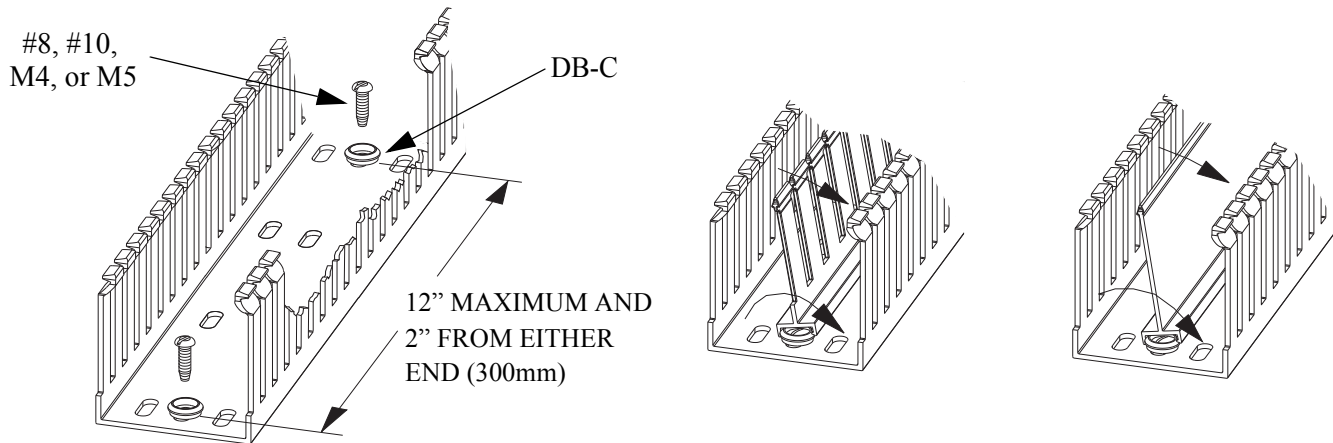
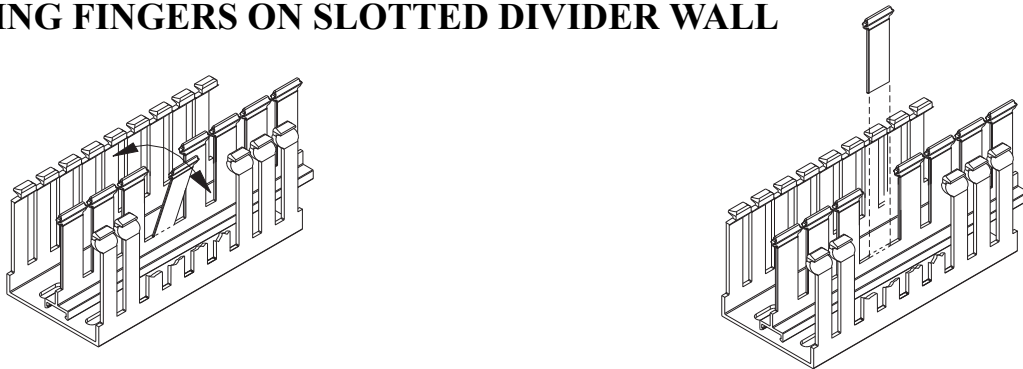


INSTALLATION OF SOLID/SLOTTED DIVIDER WALL AND MOUNTING



REMOVING FINGERS ON SLOTTED DIVIDER WALL



REMOVING SECTIONS FROM SLOTTED DIVIDER WALL WITH DNT-100

