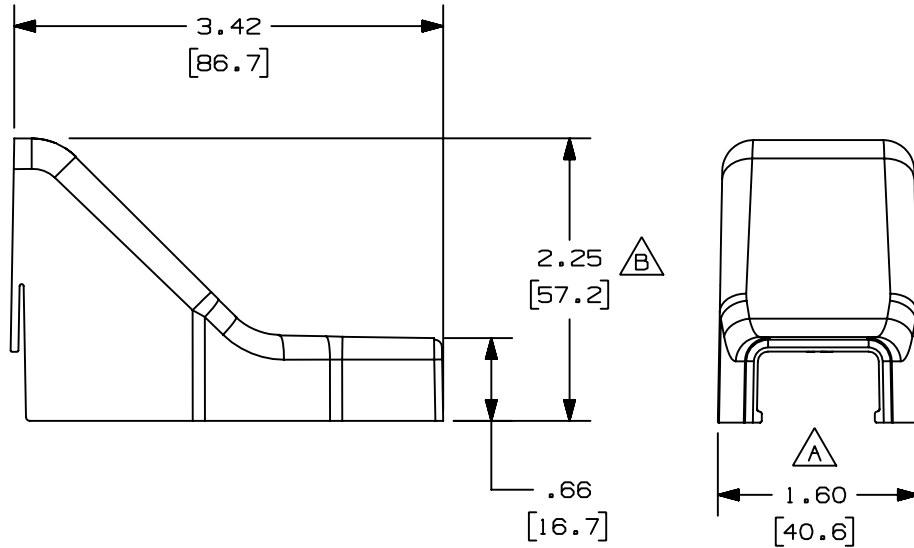


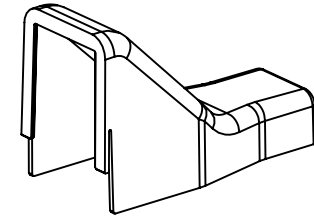
THIS COPY IS PROVIDED ON A RESTRICTED BASIS AND IS NOT TO BE USED IN ANY WAY DETRIMENTAL TO THE INTERESTS OF PANDUIT CORP.

PANDUIT P/N	WEIGHT
DCF5	.040 lbs (18.14 g)



NOTES:

- SEE CURRENT CATALOG FOR ADDITIONAL PART SUFFIXES TO INDICATE COLOR AND OR PACKAGE QUANTITY.
- THE DCF5 FITTING IS USED WITH LD5 AND LDP5 RACEWAYS.
- DIMENSIONS IN PARENTHESIS ARE IN METRIC.



CAD FILENAME/LAYERS D36725DG\_DC\_DCF5\_00E.PRT

PANDUIT CORP. TINLEY PARK, ILLINOIS  
LD5 DROP CEILING FITTING (DCF5)  
CUSTOMER DRAWING

4	01-20-05	JBN	RMHI	E. REVISED WEIGHT OF THE PART	36725-11	RGRO	RGRO		
3	03-08-04	JHEP	RGRO	D. REMOVED CD5 FROM NOTE 2	36725-11	RGRO	RGRO		
2	07-02-02	JHNU	RMHI	C. REVISED MATERIAL IN DRAWING TITLE BLOCK.	36725-11	RGRO	RGRO		
1	06-18-99	DW	HIW	B. CORRECTED DIMENSION WAS 2.25(57.1). A. CORRECTED DIMENSION WAS 1.59(40.4).	36725-11	HIW	HIW		
R	05-25-99	DW	HIW	RELEASED TO PRODUCTION	36725-11	HIW	HIW		
REV	DATE	BY	CHK	DESCRIPTION	ECN	R	CUST	SUP	

UNLESS OTHERWISE SPECIFIED, DIMENSIONAL TOLERANCES ARE: (.X) ± (.XXX) ± (.XX) ±.03 (.8) ANGLES ±		UNLESS OTHERWISE SPECIFIED, ALL DIMENSIONS ARE GIVEN IN INCHES, THIRD ANGLE PROJECTION.
DRAWN BY DW	MAT'L: ABS	SCALE NONE
DATE 05-21-99		DRAWING NO. 36725-11
CHK'D HIW		DWG A SIZE