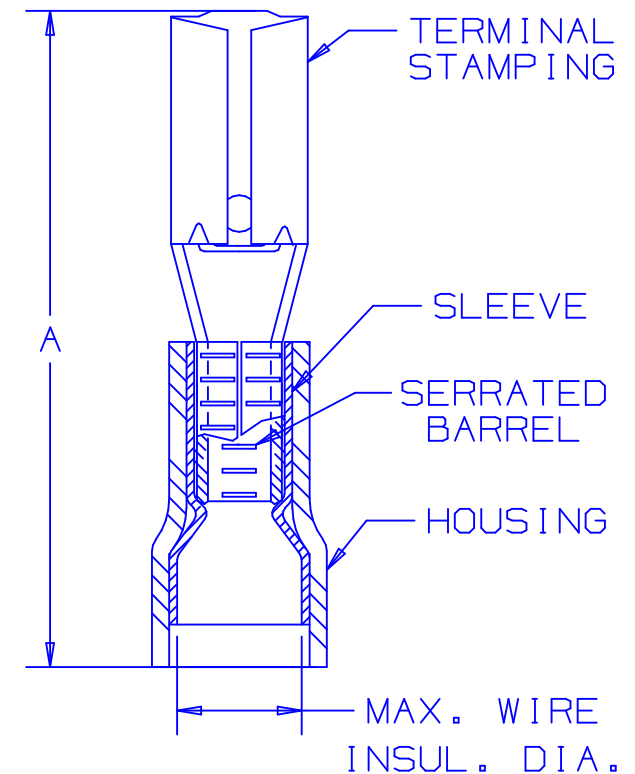
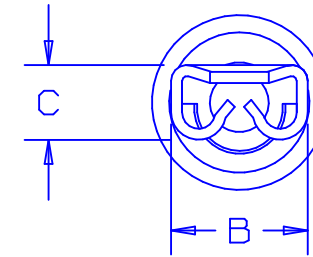



PART NUMBER		TAB SIZE	WIRE RANGE AWG (mm <sup>2</sup> )	MAX. INSUL. DIA.	DIMENSIONS in.		
PREFIX	PK				A $\pm .03$ (.8)	B $\pm .01$ (.3)	C $\pm .01$ (.3)
DNF14-110	-C -M	.110 X .032 (2.8 X 0.8)	#16-14 (1.5-2.5)	.162 (4.11)	.75 (19.05)	.15 (3.8)	.08 (2.0)
DNF14-111	-C -M	.110 X .020 (2.8 X 0.5)	#16-14 (1.5-2.5)	.162 (4.11)	.75 (19.05)	.15 (3.8)	.07 (1.8)

NOTES:

- USED FOR:
  - A. 300V. MAX. VOLTAGE RATING
  - B. #16-14 AWG STRANDED COPPER WIRE ONLY
  - C. 194° F (90° C) MAX. TEMP. RATING
- MATERIAL:
  - A. STAMPING -.010 (0.25) THICK  
TIN PLATED BRASS
  - B. SLEEVE - BRASS, TIN PLATED
  - C. HOUSING- NYLON, BLUE
- PACKAGE QTY: STD. PKG. -C= 100  
BULK PKG. -M= 1000
- INITIAL INSERTION FORCE - 12 LB. (53 N) MAX  
INITIAL WITHDRAWAL FORCE - 12 LB. (53 N) MAX  
6 LB. (27 N) MIN
- DIMENSIONS IN BRACKETS ARE IN MILLIMETERS OR mm<sup>2</sup>
- INSTALLATION TOOLS:  
CT-500,CT-160,CT-1550,CT-1551
- WIRE STRIP LENGTH:  $9/32 \pm_{.0}^{1/32}$  (7.1 $\pm_{.0}^8$ )



A413010\_06

06	7/03	KLFU		ADDED INTERNAL SERRATIONS & GEOMETRY				 <b>PANDUIT</b> CORP. TINLEY PARK, ILLINOIS #16-14 BARREL NYLON INSULATED FEMALE DISCONNECT, FUNNELED WIRE ENTRY .110 X .032 & .110 X .020 TAB SIZES
05	1/01	RM	SKB	FILESPEC WAS N41310AA_PCD_04	8925	CCH	JAC	
04	9/97	JAMB		UPDATED NOTES	06180			
03	10/94	TH	RLS	UPDATED NOTES AND DIMENSIONS	02578	TKLE	LA	
REV	DATE	BY	CHK	DESCRIPTION	ECN #	PM	CUST	
								DRAWN BY: DAW CHK'D: CJH SCALE: NONE DRAWING NO.: A41310