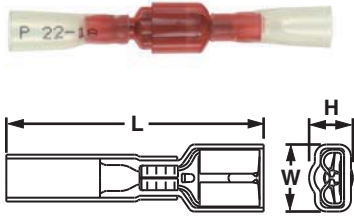


## Heat Shrink Disconnects, Fully Insulated – Funnel Entry

### Type DNH

- Disconnect can be inserted and removed from the male tab without the use of tools for lower installed cost
- Fully insulated design provides protection from electrical shorts
- Heat shrink sleeving forms a protective barrier to provide environmentally sealed terminations ideal for high moisture applications
- Heat shrink sleeving provides additional level of strain relief for the wire
- Minimum continuous operating temperature -65°F (-55°C)
- Maximum continuous operation temperature 230°F (110°C)
- Shrink temperature 300°F (150°C)
- Rated up to 600 V



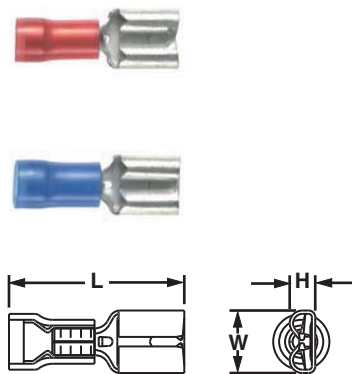
Part Number	Wire Range	Color Code	Max. Ins. (In.)	Figure Dimensions (In.)			Type	Tab Size (In.)	Recommended Installation Tool	Std. Pkg. Qty.	Std. Ctn. Qty.
				L	W	H					
<b>DNH18-250FIM-Q</b>	22 – 18 AWG	Red	0.133	1.50	0.41	0.31	Male	0.250 x 0.032	CT-310	25	125
<b>DNH18-250FIB-Q</b>			0.132	1.44	0.35	0.22	Female			25	125
<b>DNH14-250FIM-Q</b>	16 – 14 AWG	Blue	0.158	1.50	0.41	0.31	Male			25	125
<b>DNH14-250FIB-Q</b>			0.156	1.44	0.35	0.22	Female			25	125
<b>DNH10-250FI-E</b>	12 – 10 AWG	Yellow	0.230	1.44	0.35	0.27	Female			20	100

For crimping tool information, see page D1.85.

## Female Disconnect, Nylon Barrel Insulated – Funnel Entry

### Type DNF

- Disconnect can be inserted and removed from the male tab without the use of tools for lower installed cost
- Metal insulation grip sleeve crimps to wire insulation, providing protection to the crimp joint during high vibration applications
- Internal barrel serrations assure good wire contact and maximum tensile strength
- Internal wire stop assures proper length of insertion into terminal barrel, providing a higher quality connection
- UL Flammability UL 94V-2/HB, maximum insulation temperature 194°F (90°C)
- UL and CSA rated up to 300 V per UL 310



Part Number	Wire Range	Color Code	Max. Ins. (In.)	Figure Dimensions (In.)			Tab Size (In.)	Recommended Installation Tool	Std. Pkg. Qty.**	Std. Ctn. Qty.		
				L	W	H						
<b>DNF18-110-C</b>	22 – 18 AWG	Red	0.100	0.69	0.15	0.08	0.110 x 0.032	CT-600-A‡, CT-1525‡, CT-2500‡	100	500		
<b>DNF18-111-C</b>			0.100	0.69	0.15	0.07	0.110 x 0.020		CT-600-A‡, CT-1550, CT-1551, CT-2500	100	500	
<b>DNF18-187-C</b>			0.137	0.76	0.23	0.10	0.187 x 0.032			100	500	
<b>DNF18-188-C</b>			0.137	0.76	0.23	0.10	0.187 x 0.020	100		500		
<b>DNF18-205-C</b>			0.137	0.76	0.25	0.12	0.205/0.187 x 0.032	100		500		
<b>DNF18-206-C</b>			0.137	0.76	0.25	0.12	0.205/0.187 x 0.020	100		500		
<b>DNF18-250-C</b>			0.138	0.81	0.29	0.12	0.250 x 0.032	100		500		
<b>DNF14-110-C*</b>			16 – 14 AWG	Blue	0.162	0.75	0.15	0.08		0.110 x 0.032	CT-1525, CT-2500	100
<b>DNF14-111-C*</b>					0.162	0.75	0.15	0.07	0.110 x 0.020	100		500
<b>DNF14-187-C</b>					0.162	0.76	0.23	0.10	0.187 x 0.032	CT-600-A‡, CT-1550, CT-1551, CT-2500	100	500
<b>DNF14-188-C</b>	0.162	0.76			0.23	0.10	0.187 x 0.020	100	500			
<b>DNF14-205-C</b>	0.162	0.76			0.25	0.12	0.205/0.187 x 0.032	100	500			
<b>DNF14-206-C</b>	0.162	0.76			0.25	0.12	0.205/0.187 x 0.020	100	500			
<b>DNF14-250-C</b>	0.162	0.83			0.29	0.12	0.250 x 0.032	100	500			

\*Not UL Listed or CSA Certified.

\*\*Bulk packaging may be available, contact Panduit Customer Service for additional information.

‡UL and CSA approved tooling/product combinations. For crimping tool information, see pages D1.84, D1.86, and D1.88.