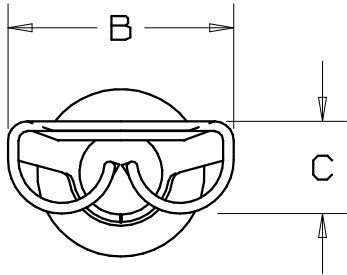
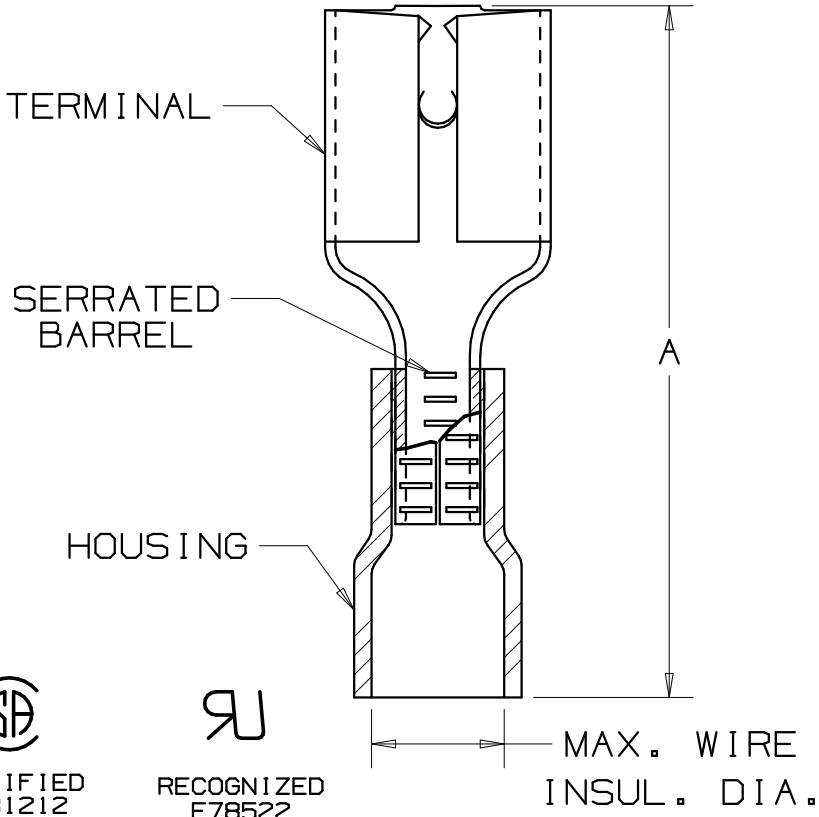


PART NUMBER		TAB SIZE	WIRE RANGE AWG	MAX. INSUL. DIA.	DIMENSIONS in.			HOUSING COLOR
PREFIX	PK				A ±.03	B ±.01	C ±.01	
DV18-250B	-C -M -MY	.250 X .032 (6,3 X 0,8)	22-18 (0,5-1,0)	.150 (3,8)	.81 (20,6)	.29 (7,4)	.12 (3,0)	RED
*DV14-250B	-C -M	.250 X .032 (6,3 X 0,8)	16-14 (1,5-2,5)	.170 (4,3)	.81 (20,6)	.29 (7,4)	.12 (3,0)	BLUE



NOTES:

- UL LISTED, UL RECOGNIZED (DV14-250B ONLY), CSA CERTIFIED FOR:
 - A. 600V. MAX. VOLTAGE RATING
 - B. STRANDED COPPER WIRE ONLY
 - C. 221° F (105° C) MAX. TEMP. RATING
- MATERIAL:
 - A. STAMPING - .016" (0.41) THK BRASS, TIN PLATED
 - B. HOUSING - VINYL
- PACKAGE QTY: STD. PKG. -C=100
BULK PKG. -M=1000, -MY=1000
- INITIAL INSERTION FORCE - 12 LB. (53 N.) MAX
INITIAL WITHDRAWAL FORCE - 12 LB. (53 N.) MAX
6 LB. (27 N.) MIN
- DIMENSIONS IN BRACKETS ARE IN MILLIMETERS
- INSTALLATION TOOLS:
 - A. UL LISTED AND CSA CERTIFIED: CT-520, CT-1525
 - B. UL RECOGNIZED: CT-520, CT-1525
- WIRE STRIP LENGTH: 1/4 ^{+1/32}₋₀ (6.3 ^{+0.8}₋₀)



A41307_09

09	6/06	DAW	DAW	REMOVED MAX. AMPERAGE NOTE	TRO0134		
08	5/05	JHNU		ADDED PACKAGING CODE "MY" TO DRAWING.			
07	7/03	KLFU	SKB	UPDATED DRAWING	12453	TRO	SKB
06	5/99	JKD	SKB	ADDED CT-1525 TOOL	07634	TRO	JCJ
05	10/94	MS	RS	UPDATED NOTES AND DIMENSIONS	02531	JM	LA
REV	DATE	BY	CHK	DESCRIPTION	ECN #	PM	APP



FEMALE DISCONNECT, VINYL INSULATED (.250 SERIES)

DRAWN BY	CHK'D	SCALE	DRAWING NO.
DAW	LA	NONE	A41307