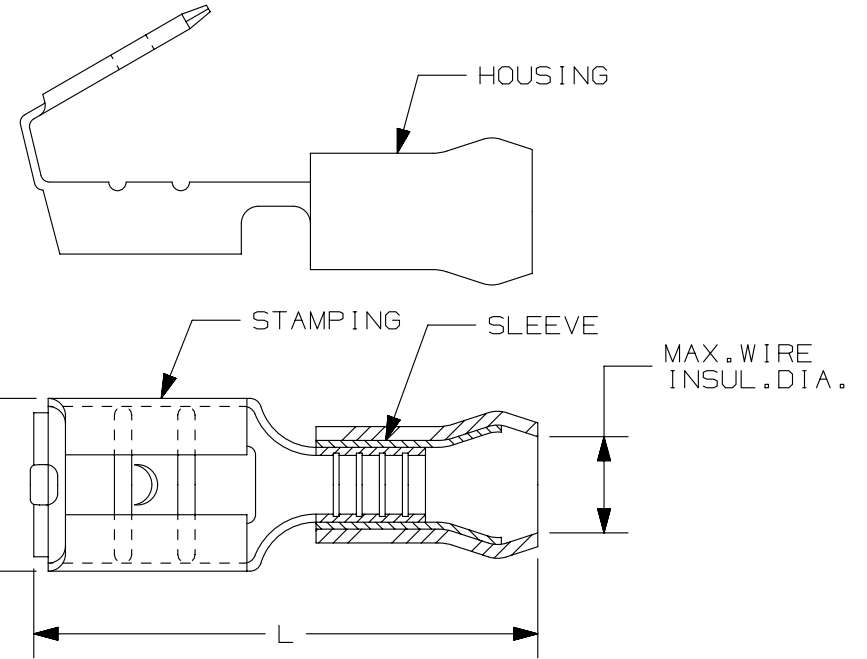


THIS COPY IS PROVIDED ON A RESTRICTED BASIS AND IS NOT TO BE USED IN ANY WAY DETRIMENTAL TO THE INTERESTS OF PANDUIT CORP.

PANDUIT PART #	TAB SIZE in. [mm]	WIRE RANGE		COLOR	MAX. INSUL. in. [mm]	DIMENSIONS in. [mm]	
		AWG	[mm <sup>2</sup> ]			L ± [0,8]	W ± [0,3]
DV18-250P	.250 X .032 [6,4 X 0,8]	#22-18	[0,5-1,0]	RED	.13 [3,3]	.88 [22,4]	.29 [7,4]
DV14-250P		#16-14	[1,5-2,5]	BLUE	.16 [4,1]	.88 [22,4]	.29 [7,4]

NOTES:

- USED FOR:
  - A. STRANDED COPPER WIRE ONLY
  - B. 194°F [90°C] MAX. OPERATING TEMPERATURE
  - C. 300 V. MAX VOLTAGE RATING
- INSTALLATION TOOLS: CT-100A, CT-160, CT-260, CT-400, CT-1550, CT-1551, CT-2500 (CT-2550CH), CT-600A (CT-550CH)
- WIRE STRIP LENGTH: 1/4" <sup>+1/32</sup> [6,3<sup>+0,8</sup>]
- MATERIAL:
  - A. STAMPING: BRASS, TIN PLATED
  - B. HOUSING: VINYL
  - C. SLEEVE: BRASS, TIN PLATED
- SEE [www.panduit.com](http://www.panduit.com) FOR PACKAGE QUANTITIES INDICATED BY PART NUMBER SUFFIX
- DIMENSIONS IN BRACKETS ARE METRIC EQUIVALENT



REV	DATE	BY	CHK	APR	DESCRIPTION	ECN
09	10.03.12	JBN	LCA	VMB	ADDED METRIC EQUIVALENT. REVISED NOTES. UPDATED TO CURRENT STANDARDS.	A41208

TITLE <b>PIGGYBACK DISCONNECT, VINYL INSULATED</b> <b>#22-18 &amp; #16-14</b> CUSTOMER DRAWING			
ITEM REVISION NAME N41208BB/09			
DATASET FILE NAME N41208BB_DC/09A			
UNLESS OTHERWISE SPECIFIED, DIMENSIONAL TOLERANCES ARE: IN [mm] .x ± .1 [2.54]      .xxx ± .005 [.127] .xx ± .01 [.25]      ANGLES ± 5°			MATERIAL: SEE NOTES
THIRD ANGLE PROJECTION			DRAWING NUMBER: A41208
DRAWN BY DAW	DATE -	CHK -	SCALE N.T.S. SHT 1 OF 1
			SIZE A

D10100DA/15