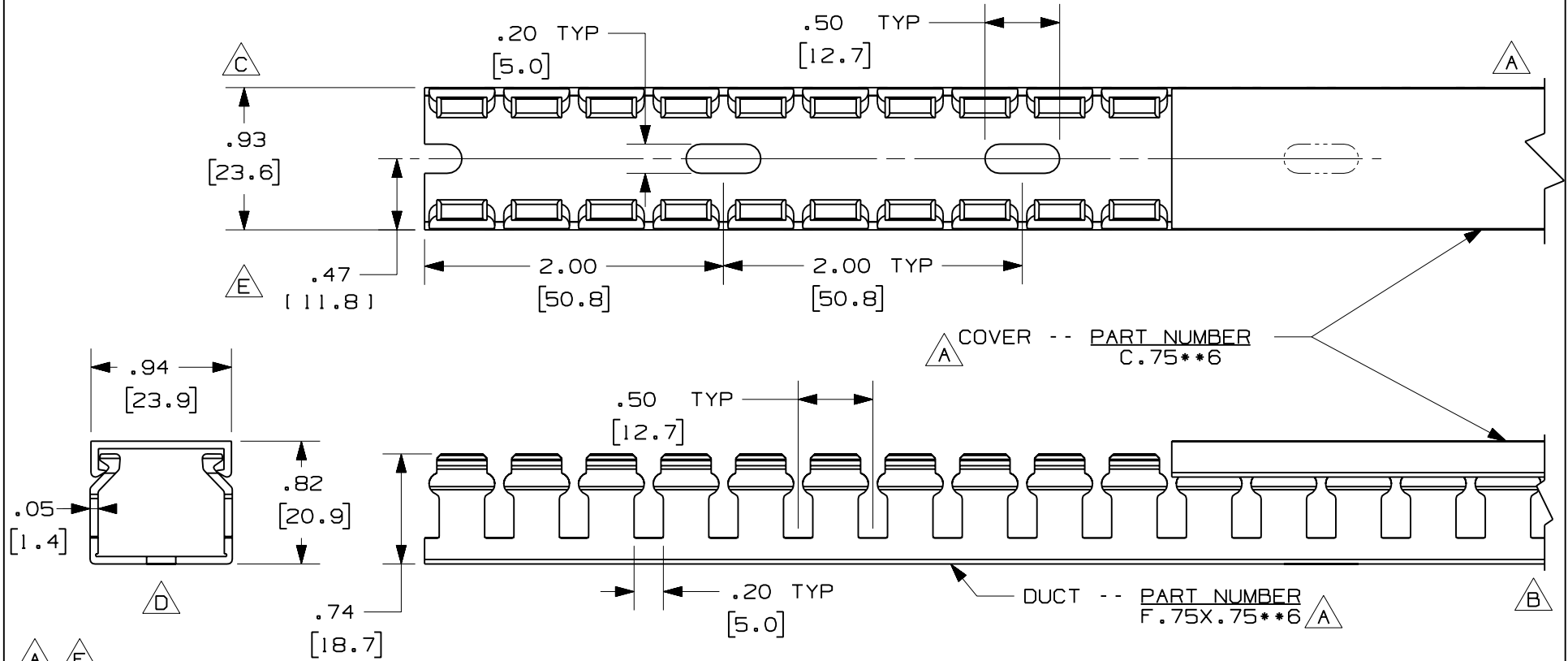


THIS COPY IS PROVIDED ON A RESTRICTED BASIS AND IS NOT TO BE USED IN ANY WAY DETRIMENTAL TO THE INTERESTS OF PANDUIT CORP.



A **F**

NOTE.

1. ALL DIMENSIONS ARE REFERENCE ONLY.
2. DIMENSIONS IN PARENTHESES ARE METRIC.
3. THE ** DENOTE COLOR.
4. DUCT AND COVER ARE AVAILABLE IN 6 FT [1828.8] LENGTH

CAD FILENAME/LAYERS D11000BV_DC/OOC

PANDUIT CORP. TINLEY PARK, ILLINOIS

WIRING DUCT - TYPE F DUCT WITH COVER
.75 X .75
MARKETING DRAWING

REV	DATE	BY	CHK	DESCRIPTION
2	7/23/07	JCST	MKBE	D. REMOVED DIMENSION C. ADDED DIMENSION
1	5/27/04	JCST	MKBE	B. CHANGED VIEW A. ADDED TOP VIEW, LABELS, AND NOTES.
R	5/21/03	JCST	JGG	DRAWING RELEASED

DRAWN BY JCST	MAT'L: PVC	SCALE FULL
DATE 5/21/03		DRAWING NO. 36897 - 759
CHK'D JGG		DWG SIZE A