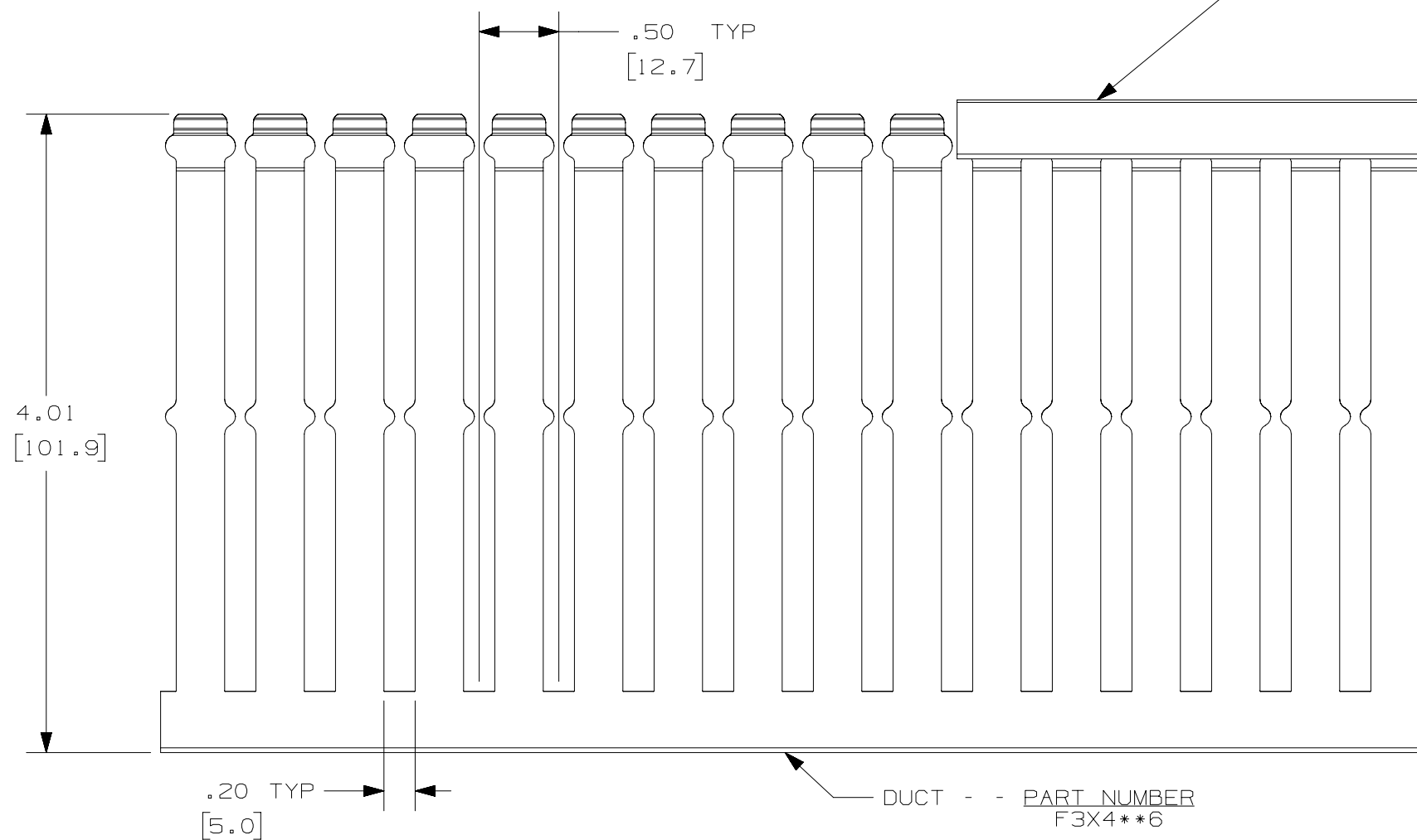
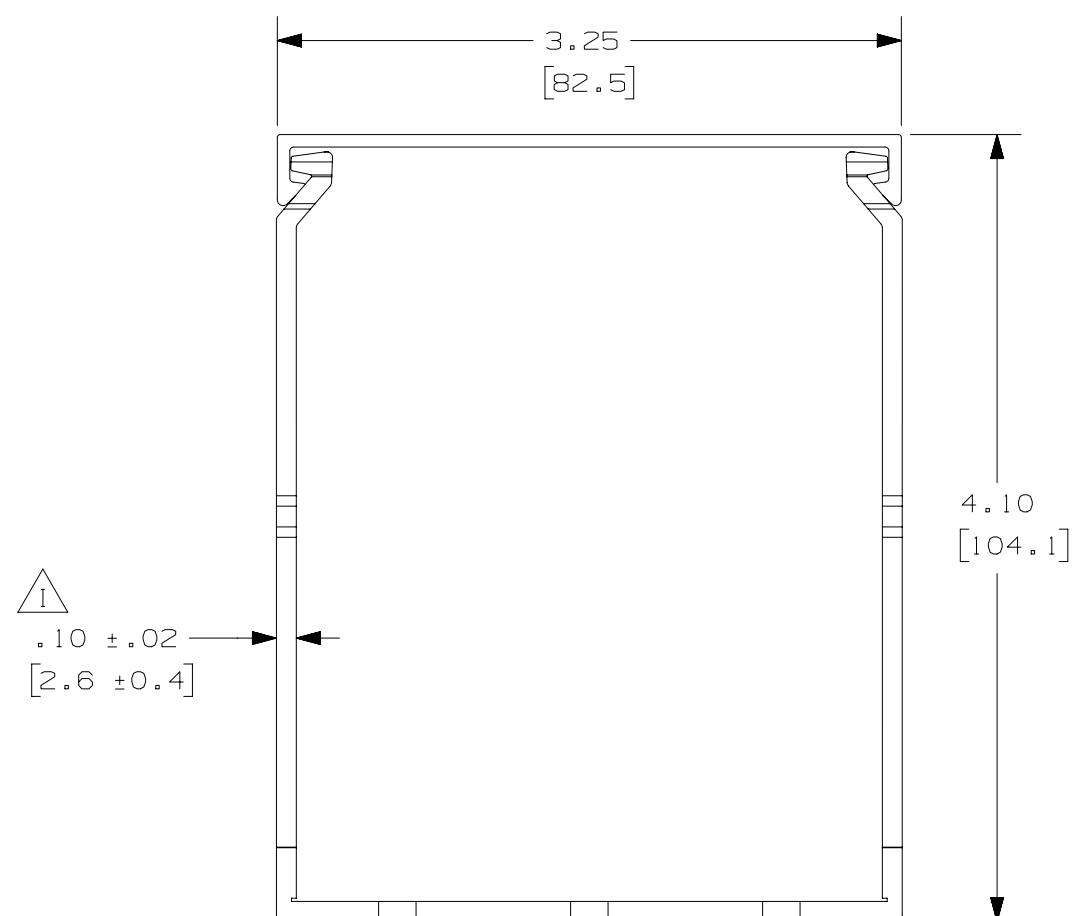


COVER - - PART NUMBER C3**6



DUCT - - PART NUMBER F3X4**6

NOTES:

1. ALL DIMENSIONS ARE REFERENCE ONLY.
2. DIMENSIONS IN PARENTHESIS ARE METRIC.
3. THE ** DENOTE COLOR.
4. DUCT AND COVER ARE AVAILABLE IN 6 FT (1828.8) LENGTH.

REV	DATE	BY	CHK	APR	DESCRIPTION	ECN
4	03.03.16	BDK	MRJS	RGRO	I. ADDED TOLERANCE	36897-779
3	02-19-13	JBN	RTFI	RTFI	H. UPDATED DRAWING BORDER & TITLE BLOCK	36897-779

TITLE		WIRING DUCT - TYPE F DUCT WITH COVER 3 X 4	
ITEM REVISION NAME		D11000CQ/00	
DATASET FILE NAME		D11000CQ_DC/00E	
UNLESS OTHERWISE SPECIFIED, DIMENSIONAL TOLERANCES ARE: IN (mm)		.X ± .XXX ± .XX ± ANGLES ±	
DRAWN BY		JGST	
DATE		03-20-03	
CHK		JGG	
SCALE		FULL	
THIRD ANGLE PROJECTION		DRAWING NUMBER: 36897-779	
SHEET		SHT 1 OF 1	
SIZE		C	

