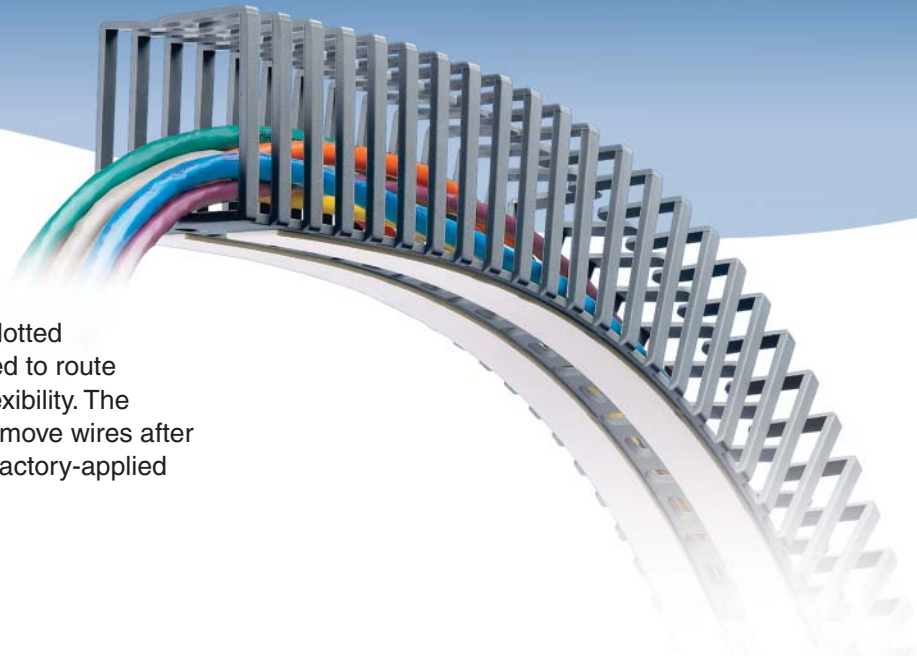


## Panduct<sup>®</sup> Type FL – Flexible Wiring Duct

Panduct<sup>®</sup> Flexible Wiring Duct is a one-piece, slotted sidewall, open finger design wiring duct intended to route and protect wires in applications that require flexibility. The unique finger design makes it easy to add or remove wires after termination without the use of special tooling. Factory-applied tape is provided for easy positioning.\*



### Technical/Performance Info

<b>Material</b>	Polypropylene
<b>Flammability</b>	UL94V-2
<b>Color</b>	RAL 7040 Light Gray
<b>Temperature</b>	Rated for continuous-use temperatures up to 149°F (65°C)
<b>Adhesive-backed tape</b>	Polyethylene foam carrier with synthetic rubber adhesive
<b>Applicable mounting surfaces</b>	Very suitable for metal, paper/cardboard, glass/ceramics, wood and many plastics Good bonds are achieved on smooth surfaces
<b>Recommended tape application temperature</b>	65°F to 95°F (18°C to 35°C)

### Key Features

### Benefits

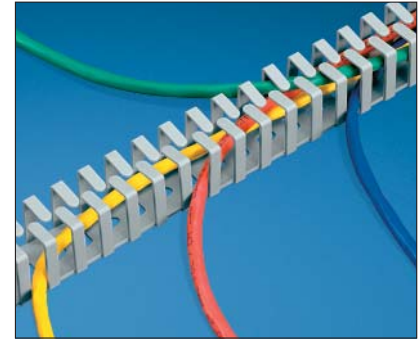
<b>Flexibility</b>	Can be used in applications requiring flexibility where conventional wiring duct cannot
<b>Fully enclosed fingers</b>	Provides method to retain cables while reducing number of parts needed in stock Adjust and make uniform Benefits information – some right and left justified, some not
<b>Offset fingers</b>	Reduces installation time compared to designs with overlapping fingers
<b>Factory-applied, adhesive-backed tape</b>	Aids in the positioning* of the wire duct.

\*Adhesive tape is not meant for permanent mounting of wiring duct. One mounting hole on each end will be exposed for permanent mounting with fasteners. For best results, wiring duct should be applied to clean, dry, grease-free surfaces. We recommend the surface be cleaned prior to wiring duct installation.

# Panduit® Type FL – Flexible Wiring Duct

## Ordering information

Part Number	Duct External Dimensions (W x H)	Standard Length	Tape Width (W)	Std. Pkg. Qty.
FL12X12LG-A	0.49" x 0.49" (12.5mm x 12.5mm)	19.7"(500mm)	0.24" (25mm)	112 pcs.
FL25X25LG-A	0.98" x 0.98" (25mm x 25mm)		0.58" (14.7mm)	70 pcs.
FL50X50LG-A	1.97" x 1.97" (50mm x 50mm)		0.58" (14.7mm) (2 strips)	32 pcs.

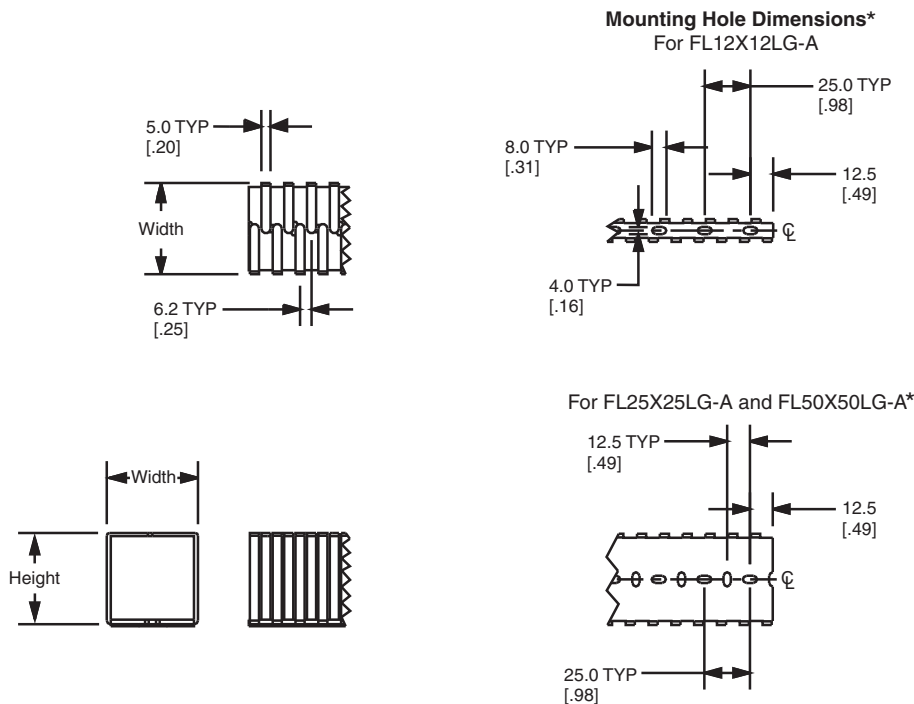


## Panduit® Type FL Wiring Duct – Wirefill Capacity

Nominal Duct Size (W X H) mm	Nominal Area mm <sup>2</sup>	Electrical														Communication						
		8 AWG		10 AWG		12 AWG			14 AWG			16 AWG			18 AWG			22 AWG	23 AWG	23/24 AWG	24 AWG	Fiber Cable
		5.5	4.2	3.3	3.6	3.9	2.8	3.1	3.4	2.4	2.8	3.0	2.1	2.5	2.7	2.2	8.4	6.4	4.8	3.0		
		THHN	THHN	THHN	MTW	MTW	THHN	MTW	MTW	TFFN	MTW	MTW	TFFN	MTW	MTW	MTW	Cat. 6A	Cat. 6	Cat. 5e	3.0 mm		
12 x 12	144	1	3	5	4	3	7	5	5	9	7	6	12	8	7	12	0	1	2	6		
25 x 25	625	8	14	22	19	16	31	25	21	42	31	27	54	38	34	53	3	6	10	27		
50 x 50	2500	33	57	91	77	67	125	100	87	168	125	111	219	155	137	214	14	24	42	111		

Table shows maximum wire fill based on 50% of duct internal cross sectional area. Formula – nominal area/2.50 x D<sup>2</sup>. AWG dimensions represent typical outer cable diameter in millimeters.

## Dimensions



\*Adhesive tape is not meant for permanent mounting of wiring duct. One mounting hole on each end will be exposed for permanent mounting with fasteners. For best results, wiring duct should be applied to clean, dry, grease-free surfaces. We recommend the surface be cleaned prior to wiring duct installation.

### WORLDWIDE SUBSIDIARIES AND SALES OFFICES

PANDUIT CANADA  
Markham, Ontario  
cs-cdn@panduit.com  
Phone: 800.777.3300

PANDUIT EUROPE LTD.  
London, UK  
cs-emea@panduit.com  
Phone: 44.20.8601.7200

PANDUIT SINGAPORE PTE. LTD.  
Republic of Singapore  
cs-ap@panduit.com  
Phone: 65.6305.7575

PANDUIT JAPAN  
Tokyo, Japan  
cs-japan@panduit.com  
Phone: 81.3.6863.6000

PANDUIT LATIN AMERICA  
Guadalajara, Mexico  
cs-la@panduit.com  
Phone: 52.33.3777.6000

PANDUIT AUSTRALIA PTY. LTD.  
Victoria, Australia  
cs-aus@panduit.com  
Phone: 61.3.9794.9020

For a copy of Panduit product warranties, log on to [www.panduit.com/warranty](http://www.panduit.com/warranty)

For more information

Visit us at [www.panduit.com](http://www.panduit.com)

Contact Customer Service by email: [cs@panduit.com](mailto:cs@panduit.com)  
or by phone: 800.777.3300

**PANDUIT®**

©2013 Panduit Corp.  
ALL RIGHTS RESERVED.  
Product Bulletin Number WDCB34--WW-ENG  
11/2013