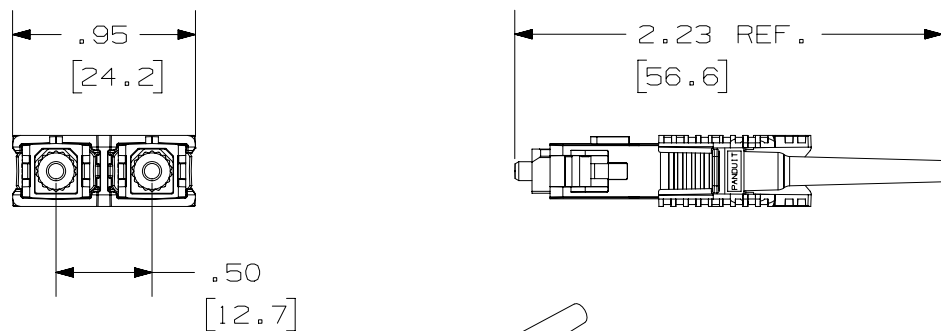
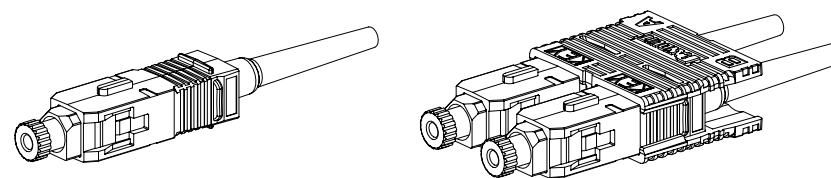
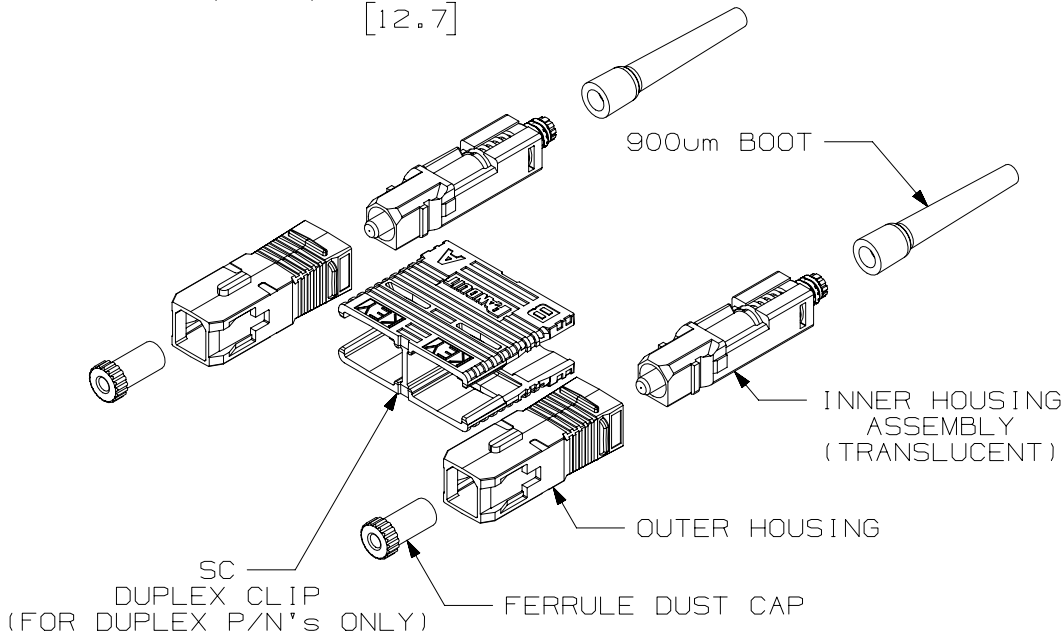


THIS COPY IS PROVIDED ON A RESTRICTED BASIS AND IS NOT TO BE USED IN ANY WAY DETRIMENTAL TO THE INTERESTS OF PANDUIT CORP.



NOTES:

1. SEE CATALOG FOR ADDITIONAL PART NUMBER SUFFIXES TO INDICATE COLOR AND/OR PACKAGE QUANTITY.
2. ACCEPTS 900um BUFFERED GLASS OPTICAL FIBER.
3. FULLY COMPLIES WITH THE FIBER OPTIC CONNECTOR PERFORMANCE REQUIREMENTS AS SPECIFIED BY TIA/EIA-568-C.3.
4. MATERIAL:
BODY/HARDWARE: PLASTIC
BOOT: THERMOPLASTIC RUBBER
FERRULE: ZIRCONIA CERAMIC
5. DIMENSIONS IN [] ARE METRIC.
6. 1.6/2.0mm AND 3.0mm BOOT ASSEMBLIES ARE AVAILABLE.
7. ALL MATERIALS AND COMPONENTS USED MEET THE MATERIAL RESTRICTIONS OF RoHS (EUROPEAN DIRECTIVE 2011/65/EC ON THE RESTRICTION OF HAZARDOUS SUBSTANCES) AS PROPOSED BY THE RoHS TECHNICAL ADAPTATION COMMITTEE.




SIMPLEX CONNECTOR

DUPLEX CONNECTOR

PANDUIT PART NUMBER		FIBER TYPE
SIMPLEX	DUPLEX	
FSC2SCBU	FSC2DSCBU	9/125um OS1/OS2 SINGLEMODE
FSC2MC6E1	FSC2DMC6E1	62.5/125um OM1 MULTIMODE
FSC2MC5BL	FSC2DMC5BL	50/125um OM2 MULTIMODE
FSC2MCXAQ	FSC2DMCXAQ	50/125um OM3/OM4 MULTIMODE

REV	DATE	BY	CHK	APR	DESCRIPTION	ECN
00A	3-31-17	SAT	PJI	SKH	RELEASED TO PRODUCTION	M01799FD-DC

TITLE		OPTICAM SC2 CONNECTOR	
CUSTOMER DRAWING			
ITEM REVISION NAME		M01799FD/00	
DATASET FILE NAME		M01799FD_DC/00A	
UNLESS OTHERWISE SPECIFIED, DIMENSIONAL TOLERANCES ARE: IN (mm)		 PART NO. SEE TABLE	
.x ± .xxx ± .010 (0.3)			
.xx ± .03 (0.8) ANGLES ±			
DRAWN BY SAT		DATE 03-31-17	
CHK PJI		SCALE 1 : 1	
DRAWING NUMBER: M01799FD-DC		SHT 1 OF 1	
		SIZE A	