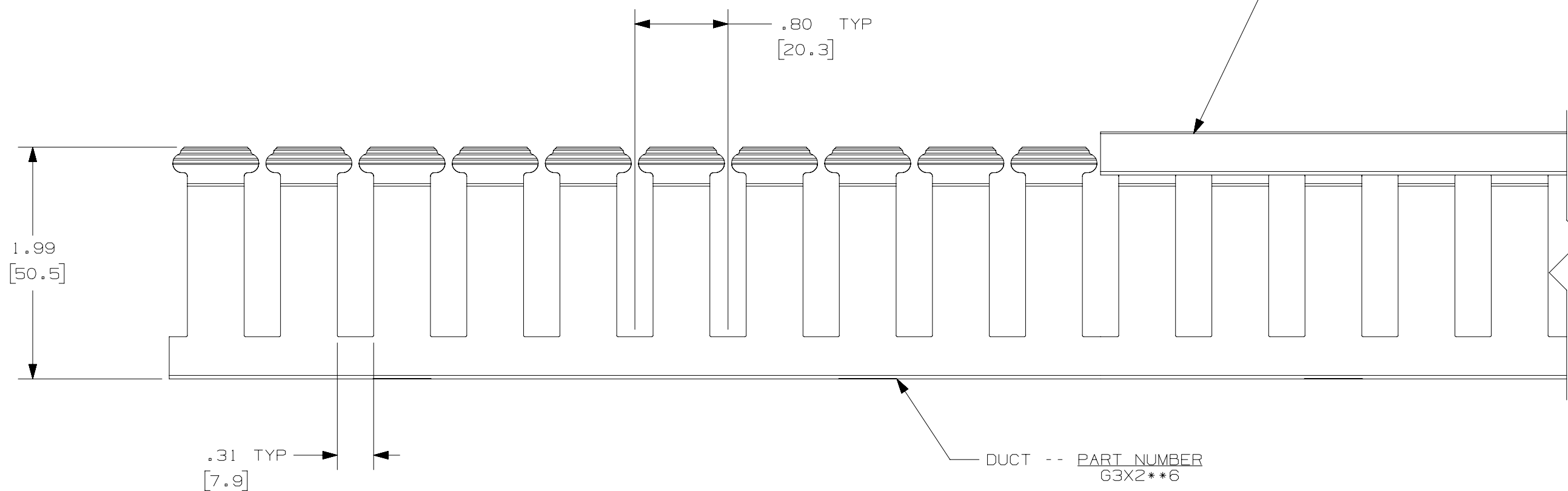
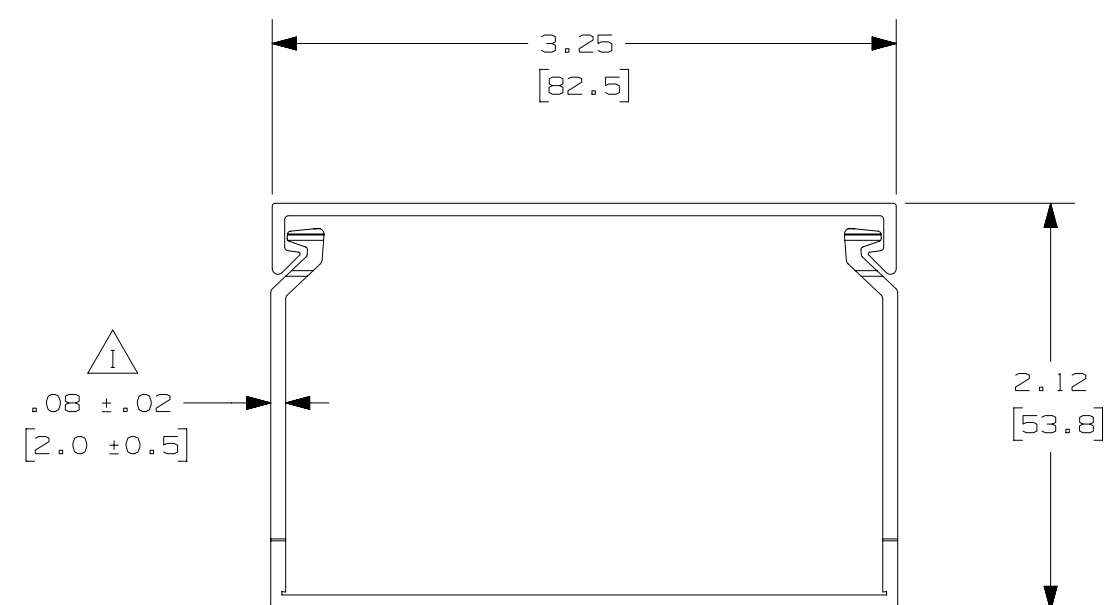


COVER -- PART NUMBER C3**6



NOTES:

1. ALL DIMENSIONS ARE REFERENCE ONLY.
2. DIMENSIONS IN PARENTHESIS ARE METRIC.
3. THE ** DENOTE COLOR.
4. DUCT AND COVER ARE AVAILABLE IN 6 FT [1828.8] LENGTHS.

REV	DATE	BY	CHK	APR	DESCRIPTION	ECN
4	04-29-16	BDK	MRJS	RGRO	I. ADDED TOLERANCE	36897-710
3	03-04-13	JBN	RTFI	RTFI	H. UPDATED DRAWING BORDER & TITLE BLOCK	36897-710

TITLE WIRING DUCT - TYPE G DUCT WITH COVER 3 X 2		CONTROL DRAWING	
ITEM REVISION NAME D11000X/00		PANDUIT	
DATASET FILE NAME D11000X_DC/00E			
UNLESS OTHERWISE SPECIFIED, DIMENSIONAL TOLERANCES ARE: 1N (mm)		MATERIAL: PVC	
DRAWING NUMBER: 36897-710		DRAWING NUMBER: 36897-710	
DRAWN BY JCST	DATE 02-28-03	CHK JGG	SCALE THIRD ANGLE PROJECTION
SHT 1 OF 1		SIZE C	