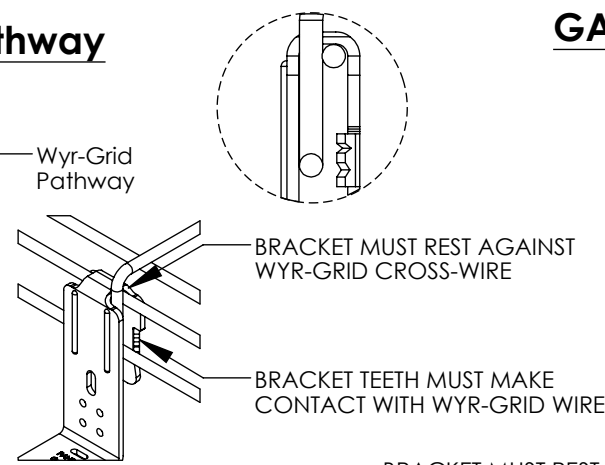
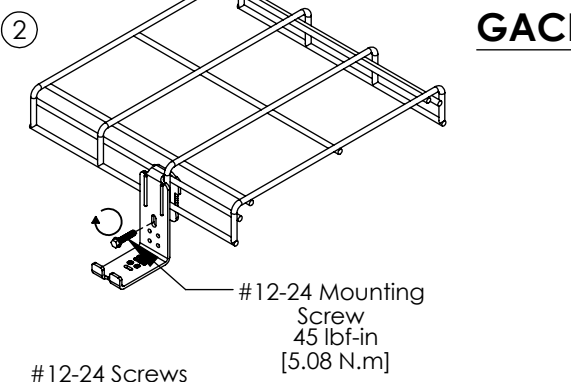
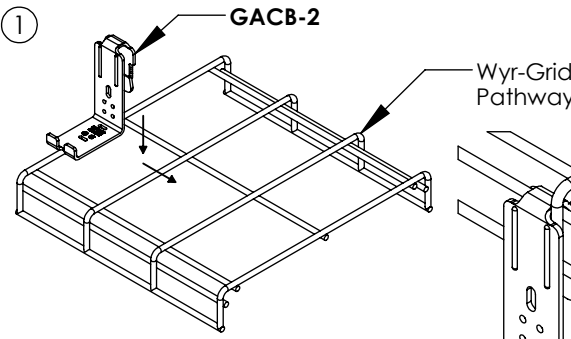
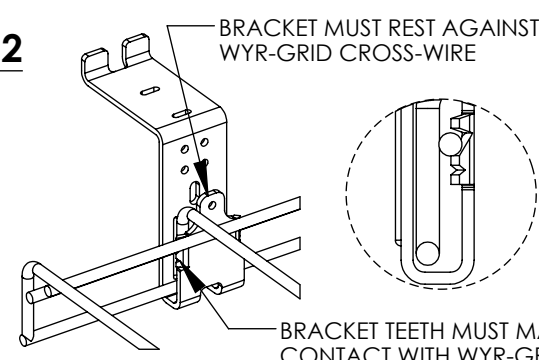


### GACB-2 on Wyr-Grid Pathway

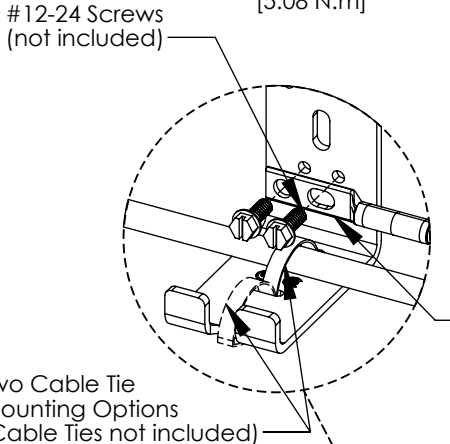
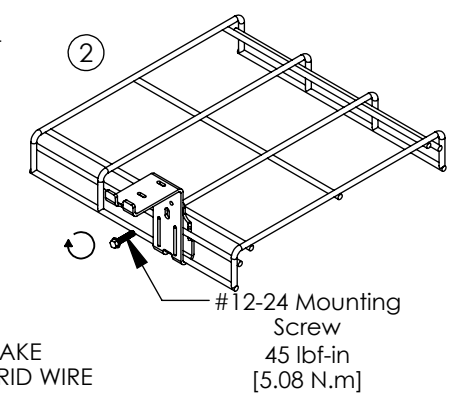
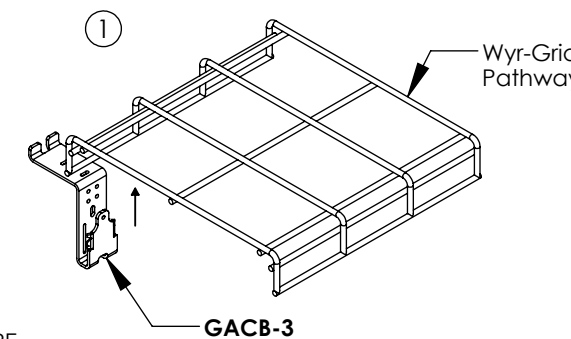
### GACB-3 on Wyr-Grid Pathway



#### GACB-2

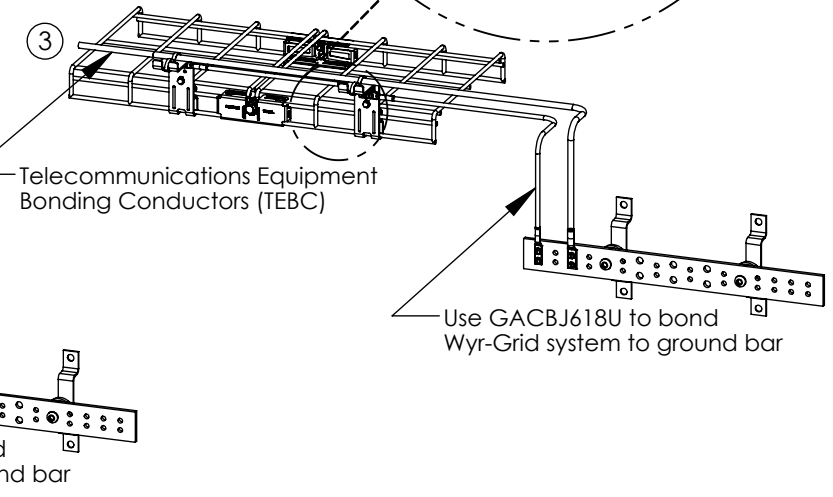
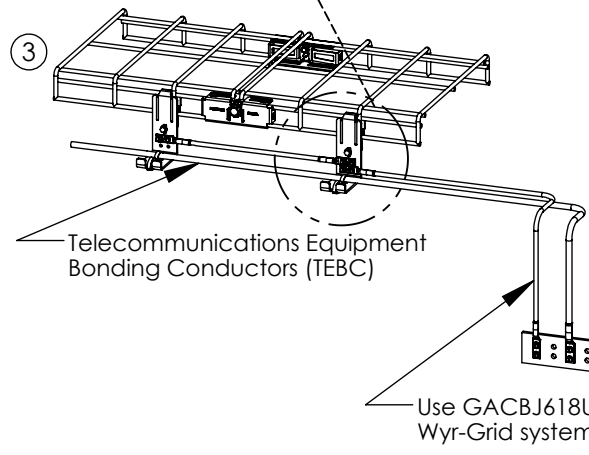
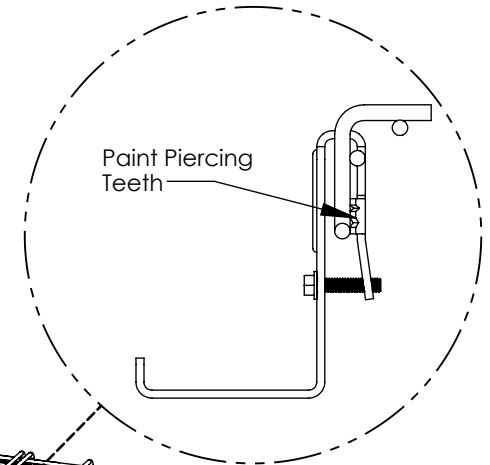


#### GACB-3

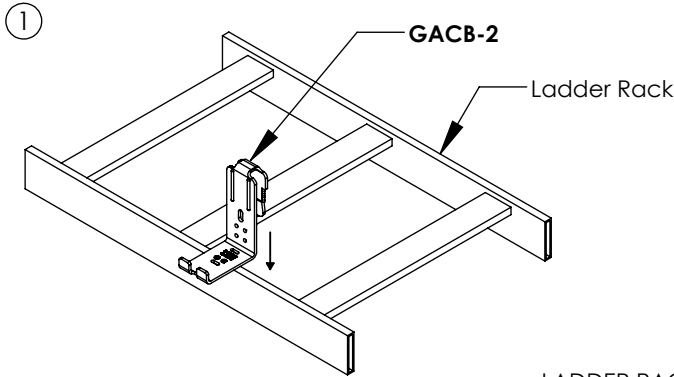


| #6 AWG PRE-TERMINATED JUMPERS |            |
|-------------------------------|------------|
| GACBJ68U                      | 8" LENGTH  |
| GACBJ612U                     | 12" LENGTH |
| GACBJ618U                     | 18" LENGTH |

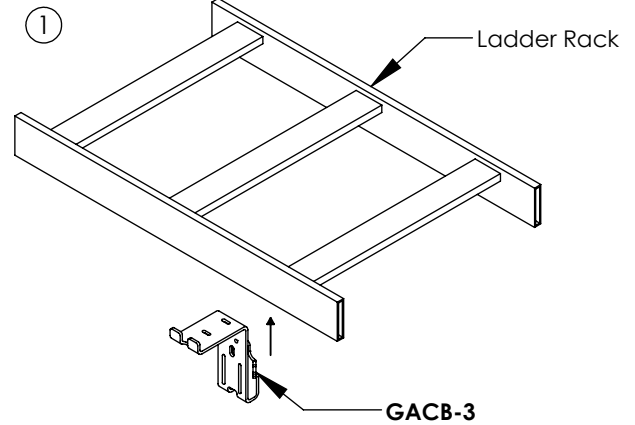
2 Hole, Slotted 1/4" Stud  
1/2" - 5/8" Spacing



### GACB-2 on LADDER RACK

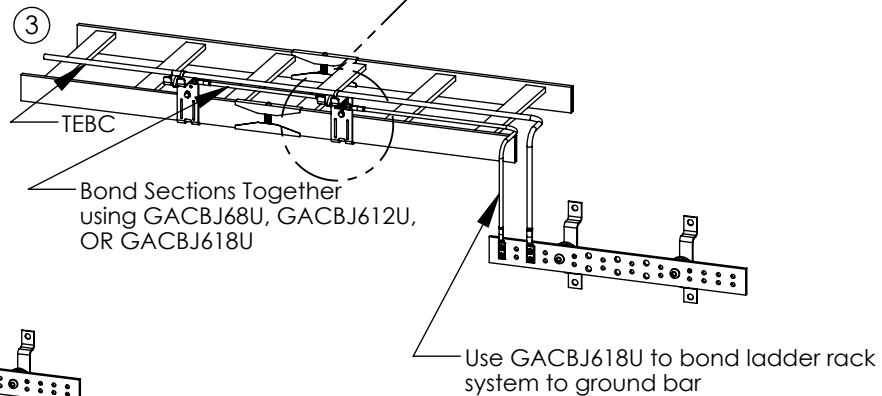
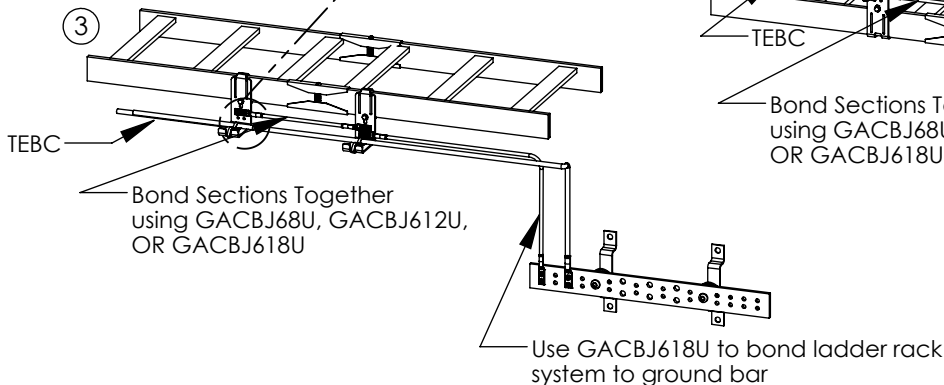
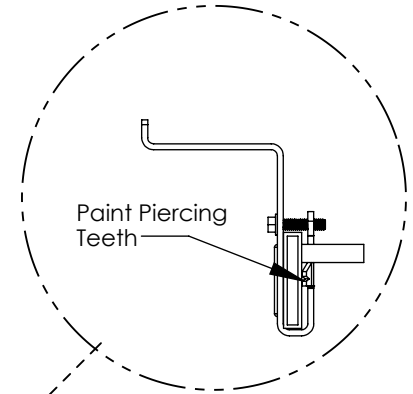
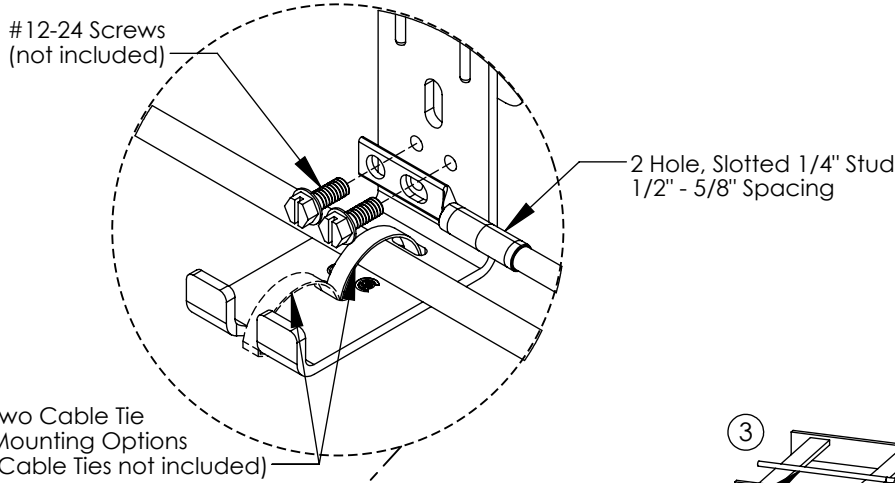
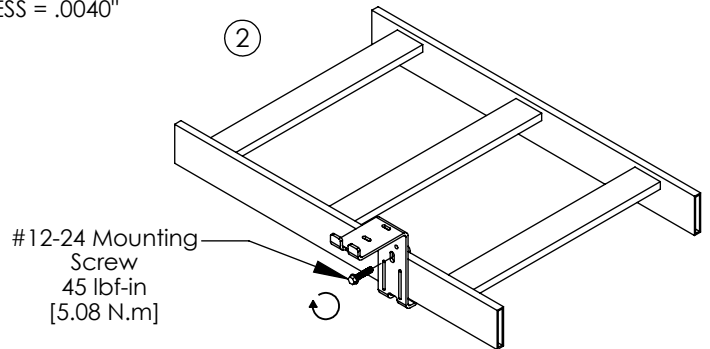
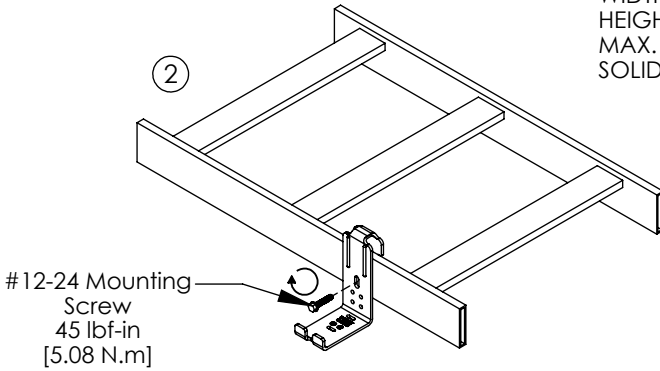


### GACB-3 on LADDER RACK



#### LADDER RACK SPECS.

WIDTH = 3/8"  
 HEIGHT = 1-1/2" - 2"  
 MAX. PAINT THICKNESS = .0040"  
 SOLID OR TUBE



For Instructions in Local Languages and Technical Support:

[www.panduit.com/resources/install\\_maintain.asp](http://www.panduit.com/resources/install_maintain.asp)

**PANDUIT**

[www.panduit.com](http://www.panduit.com)

E-mail: [cs@panduit.com](mailto:cs@panduit.com)

Phone: 800-777-3300