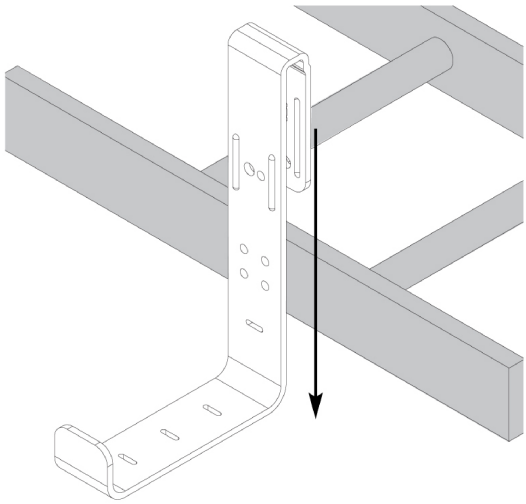


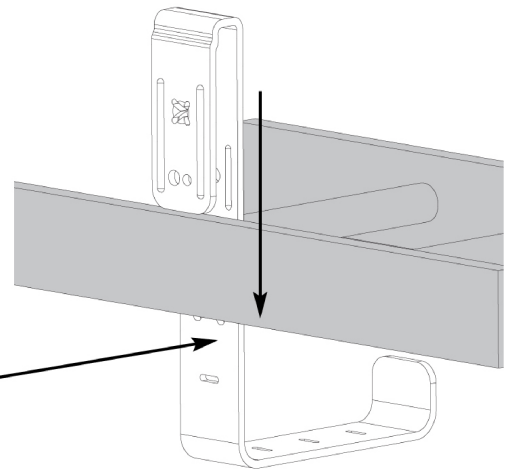
Front Mount



1

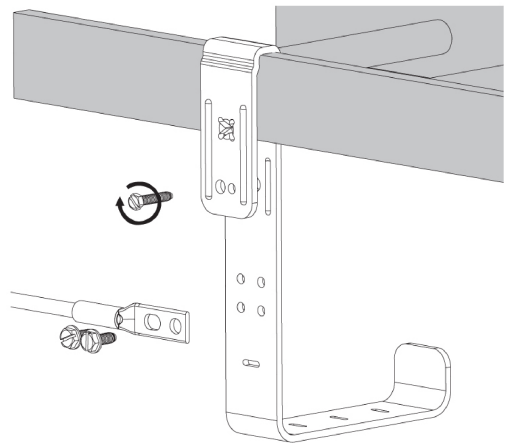
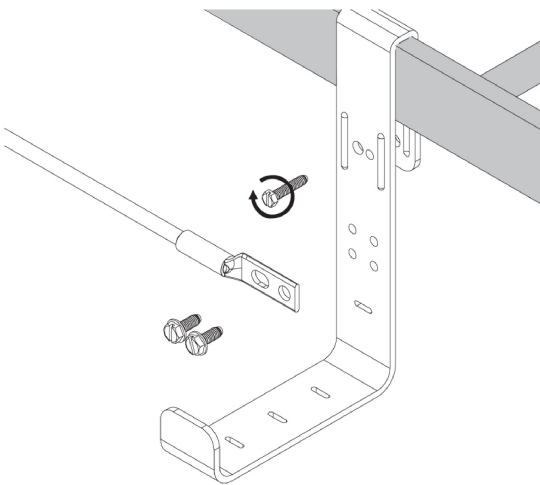
(1) GACB-1

Rear Mount



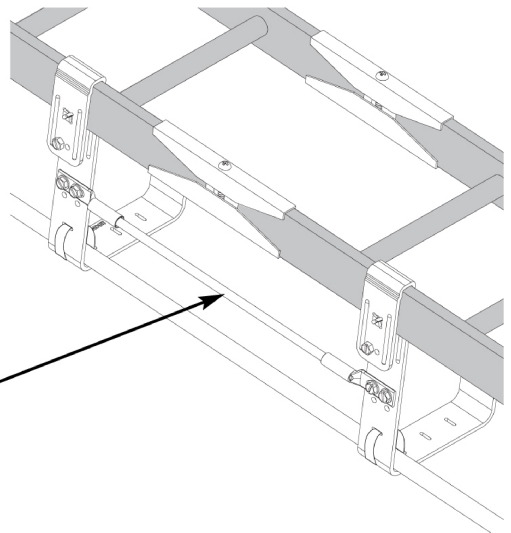
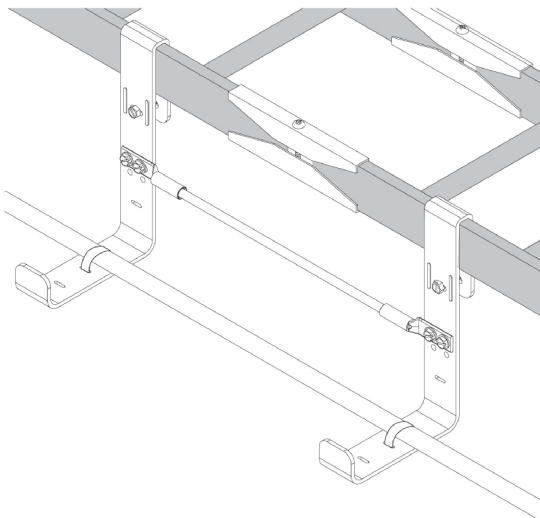
2

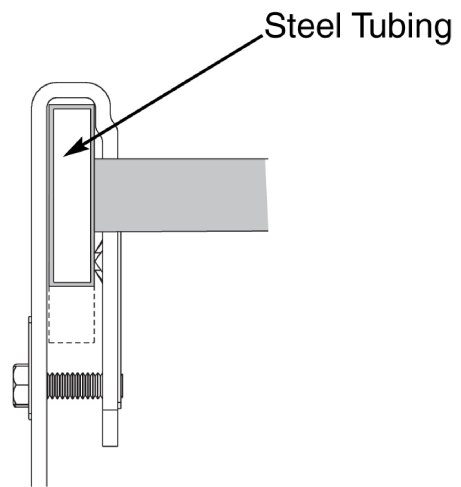
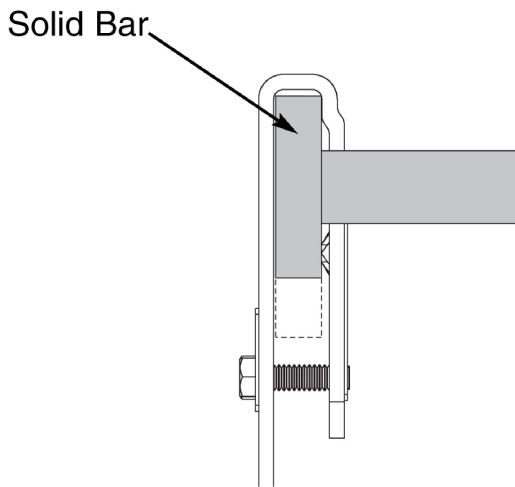
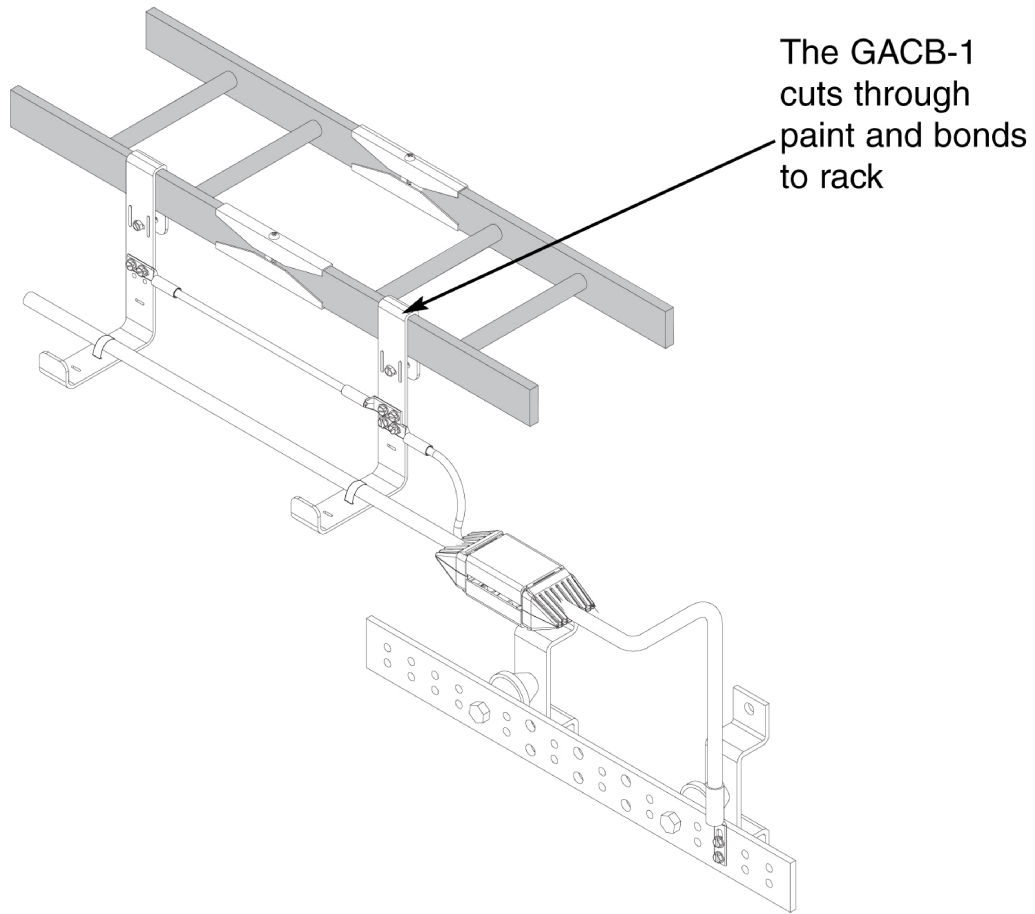
15 lbf-in - 25 lbf-in
1.695 Nm - 2.26 Nm



3

GACBJ68U
GACBJ612U
GACBJ618U





Ladder Rack Specs:

Width = 3/8"

Height = 1 1/2" – 2"

Max. Paint thickness = 0.0040"



For Instructions in Local Languages
and Technical Support:

www.panduit.com/resources/install_maintain.asp

PANDUIT

www.panduit.com

E-mail:
cs@panduit.com

Phone:
800-777-3300