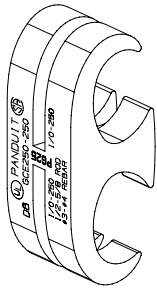
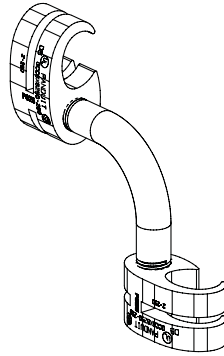


## INSTALLATION INSTRUCTIONS T-PMPI-289-PC

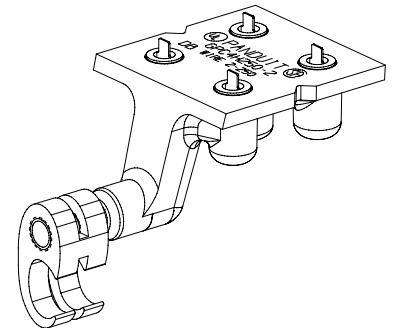
©2008 PANDUIT Corp.



GCE

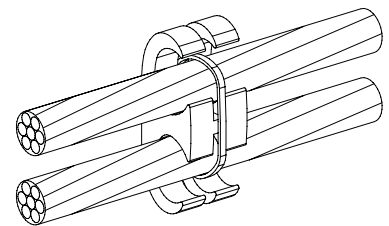
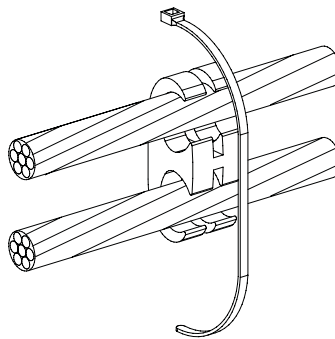
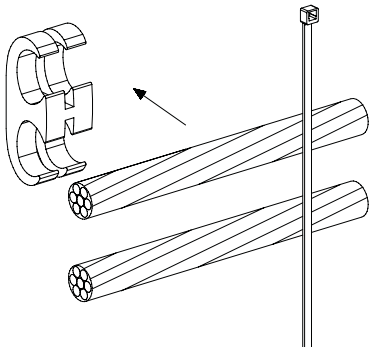


GCC6X6

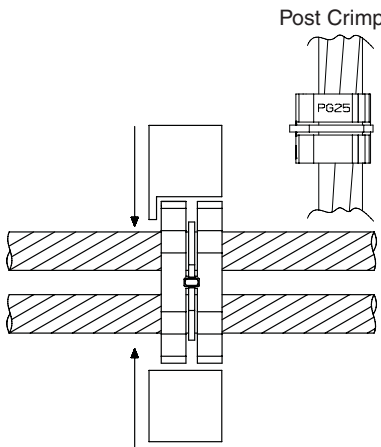


GPC

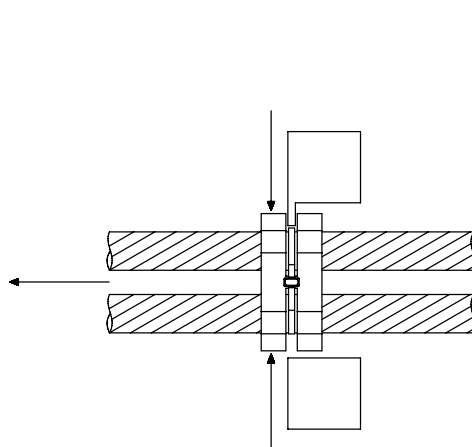
### Views Using Cable Ties



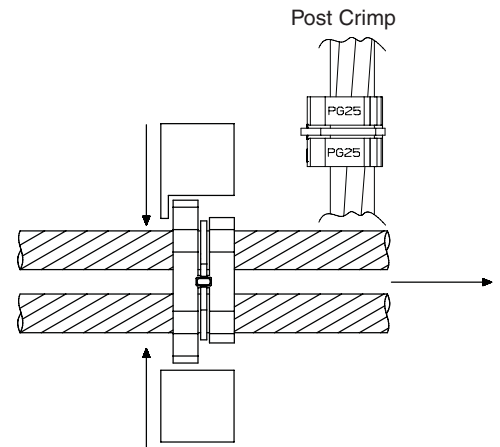
### Crimping Views



Crimp (1)\*



Crimp (2)



Crimp (3)

one crimp exceeds:



Meets All  
**IEEE**  
837™ – 2002  
Requirements

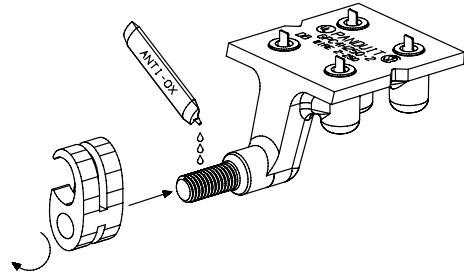
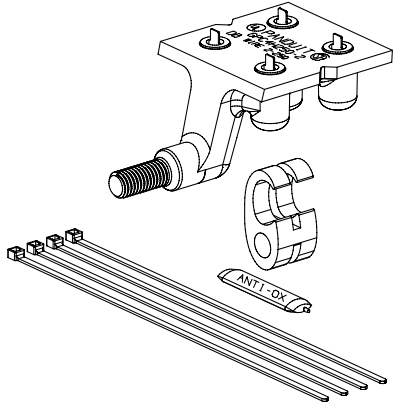
optional crimp exceeds:



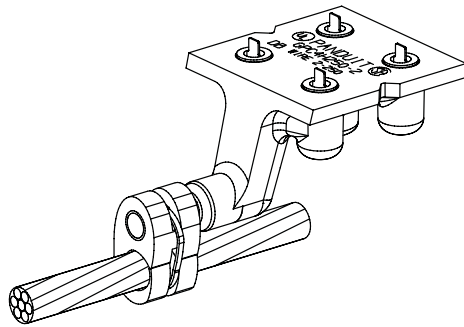
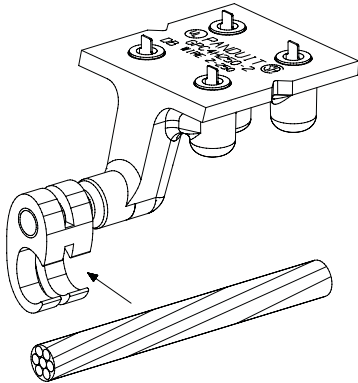
Meets All  
**IEEE**  
837™ – 2002  
Requirements

\*One crimp IEEE Std. 837™ – 2002 only available for part numbers GCE1/0-1/0 and GCE6X61/0-1/0.

Ground Plate Assembly

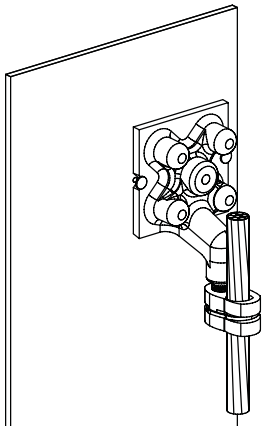


Connector to be assembled so stud is flush or protruding from the end of the connector prior to crimping as shown.

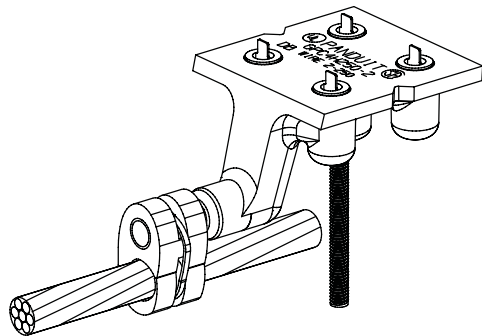


Crimp Die: CD-930G-250 (PG25/Black)  
 Crimp Tools: CT-2931, CT-2931E, CT-930, CT-930CH,  
 CT-2930, CT-940CH\*, CT-2940\*  
 \*Requires die adapter CD-940-DA

Ground Plate Views



Wall install



Floor install



Meets All  
**IEEE**  
 837™ – 2002  
 Requirements

Note: Factory installed anti-oxidant may discolor over time, but product performance is not diminished.  
 Remove all non-conductive material from mating surfaces prior to installation.

For Instructions in Local Languages  
 and Technical Support:

[http://www.panduit.com/resources/install\\_maintain.asp](http://www.panduit.com/resources/install_maintain.asp)



[www.panduit.com](http://www.panduit.com)

E-mail:  
 cs@panduit.com

Fax:  
 (815)485-5839