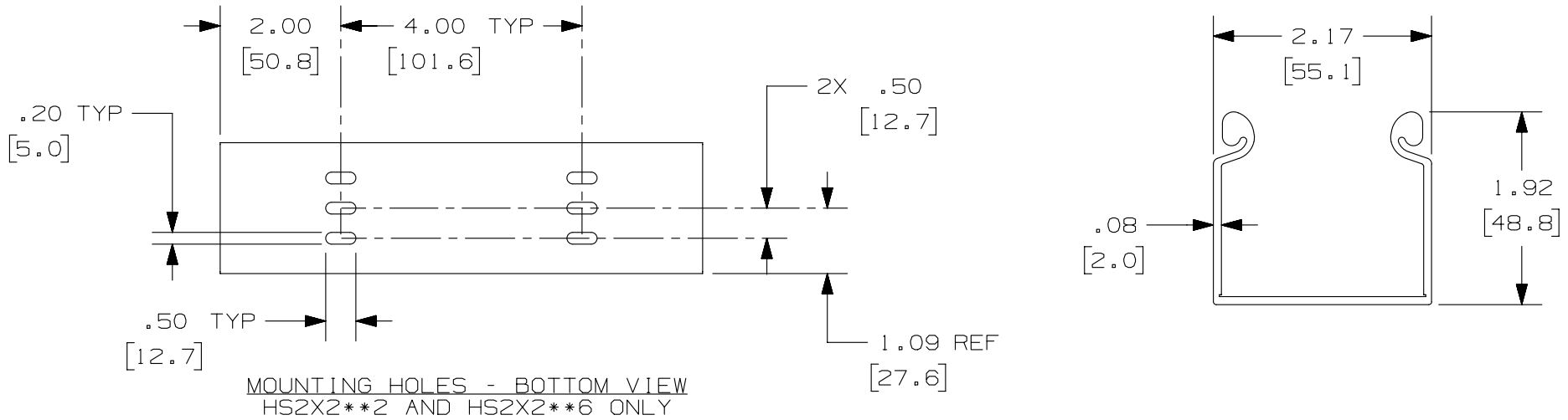


THIS COPY IS PROVIDED ON A RESTRICTED BASIS AND IS NOT TO BE USED IN ANY WAY DETRIMENTAL TO THE INTERESTS OF PANDUIT CORP.

PANDUIT PART NUMBER	LENGTH	WEIGHT	WEIGHT/LENGTH
HS2X2**2 (SEE NOTE 1)	78.74 IN ±.18 IN (2000.0mm ±4.6mm)	2.56 LB (1161g)	0.39 LB/FT (5.8g/cm)
HS2X2**6 (SEE NOTE 1)	72.00 IN ±.18 IN (1828.8mm ±4.6mm)	2.34 LB (1061g)	0.39 LB/FT (5.8g/cm)
HS2X2**2NM (SEE NOTE 1)	78.74 IN ±.18 IN (2000.0mm ±4.6mm)	2.62 LB (1188g)	0.40 LB/FT (6.0g/cm)
HS2X2**6NM (SEE NOTE 1)	72.00 IN ±.18 IN (1828.8mm ±4.6mm)	2.40 LB (1088g)	0.40 LB/FT (6.0g/cm)

NOTES:

- SEE CURRENT CATALOG FOR ADDITIONAL PART SUFFIXES TO INDICATE COLOR AND/OR PACKAGE QUANTITY.
- DIMENSIONS IN PARENTHESES ARE IN METRIC.



TITLE		FIBERRUNNER 2X2 HINGED CHANNEL HS2X2**2, HS2X2**6, HS2X2**2NM, HS2X2**6NM	
ITEM REVISION NAME		CUSTOMER DRAWING	
DATASET FILE NAME		D38258CI/00	
UNLESS OTHERWISE SPECIFIED, DIMENSIONAL TOLERANCES ARE: IN [mm]		PANDUIT	
.x ± .xxx ± .xx ± .03 [.8] ANGLES ±		MATERIAL: PVC	
THIRD ANGLE PROJECTION		DRAWING NUMBER: 38258-24	
DRAWN BY	DATE	CHK	SCALE
MSO	01-08-07	RN	NONE
REV	DATE	BY	CHK
MSO	01-08-07	RN	APR
DESCRIPTION		ECN	SIZE
A. REVISED DRAWING BORDER & TITLE BLOCK		38258-24	A
RELEASED TO PRODUCTION		38258-24	
DESCRIPTION		ECN	SIZE
SHT 1 OF 1			A

D10100DA/15