

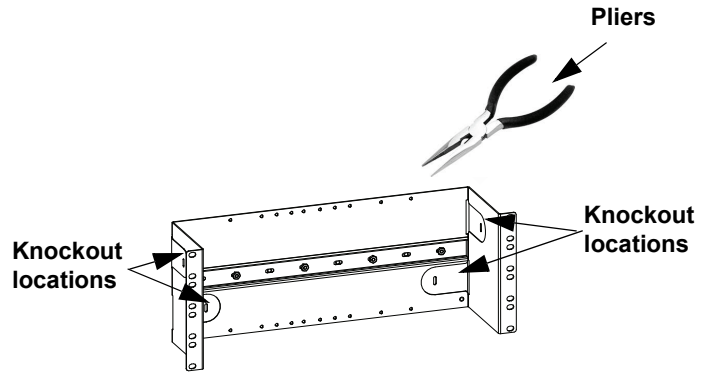
IABDIN4

Part Contents:

- (1) 19" 4RU Rack Panel w/Attached Din Rail
- (2) Cable Pass Through Grommets
- (4) #12-24 Screws
- (4) M6 Screws

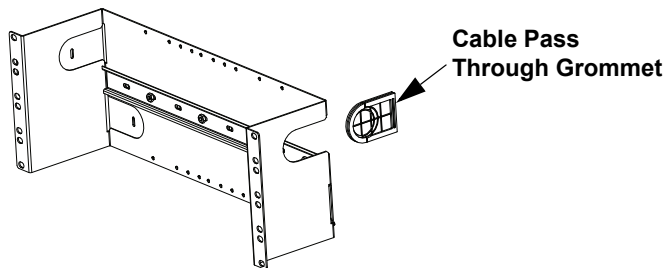
Knockout removal for Grommet Installation

Use a flathead screwdriver or a pair of pliers (not included) to remove knockout locations intended for Cable Pass Through Grommets. Place head of screwdriver into slot located in the knockout and turn screwdriver to remove.



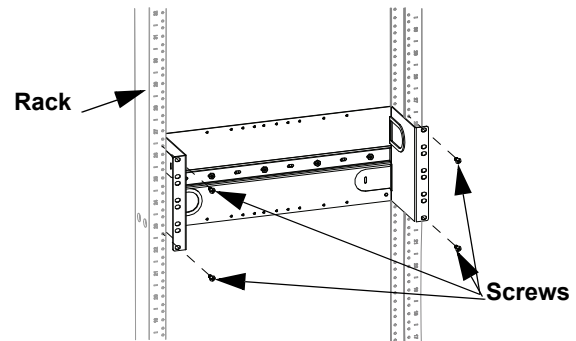
Grommet Installation

Install Cable Pass Through Grommets by sliding them into the openings left by removing the knockouts.



Rack Installation

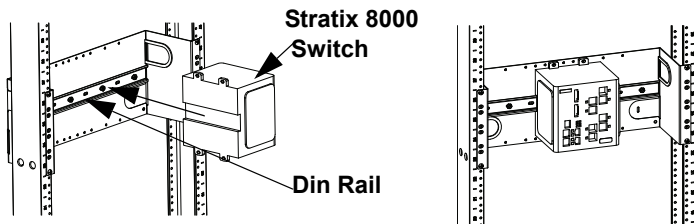
Install 19" 4RU Rack Panel horizontally to any location on a 19" Wide Equipment Rack using (4) #12-24 Screws or (4) M6 Screws.



Power Supply Installation

Note: The Industrial Automation Din Rail Panel is designed for use with the Allen-Bradley Stratix 8000 and Cisco 3000 switch and power supply, but can be used with any din rail mountable equipment. The Din Rail may be mounted on either the front or the back of the panel and holes are provided near the top and bottom edges of the panel for mounting various equipment.

The Allen-Bradley Stratix 8000 has a notch on the back which will snap onto the din rail (shown below).



Grounding

Grounding of the Industrial Automation Din Rail Panel is provided with a threaded grounding stud located on the back of the bracket. A jumper wire (not included) grounds the bracket to the equipment rack.

