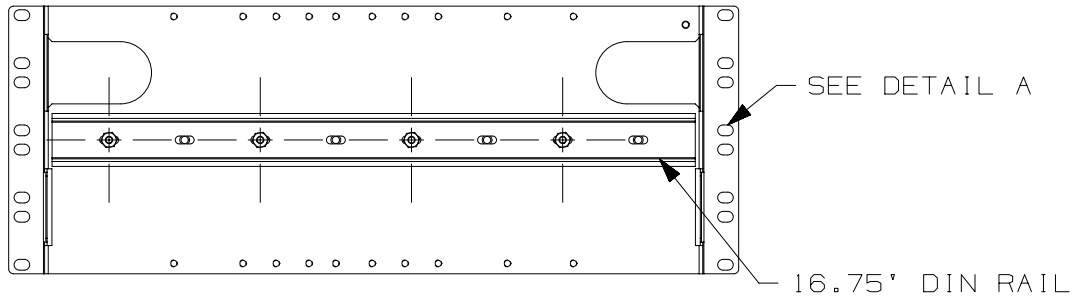
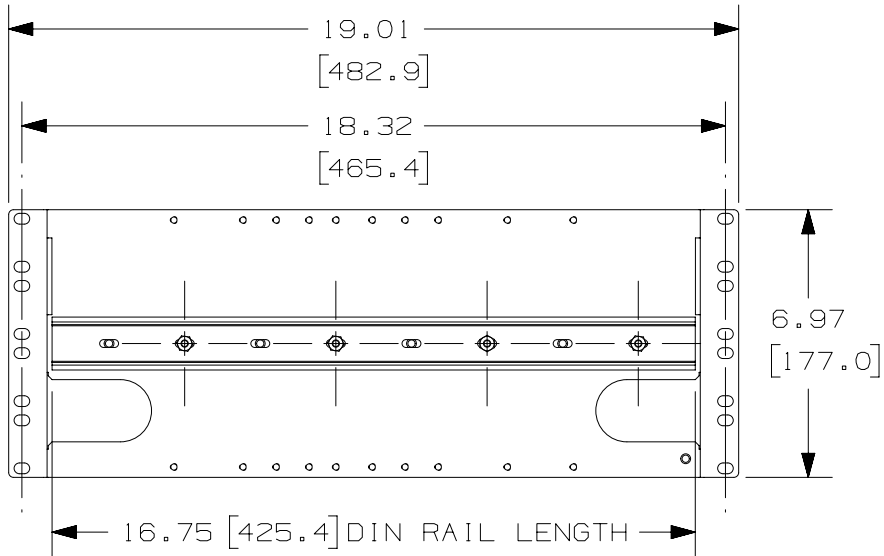


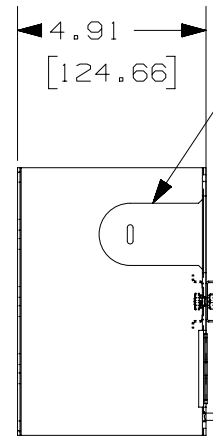
THIS COPY IS PROVIDED ON A RESTRICTED BASIS AND IS NOT TO BE USED IN ANY WAY DETRIMENTAL TO THE INTERESTS OF PANDUIT CORP.



REAR VIEW

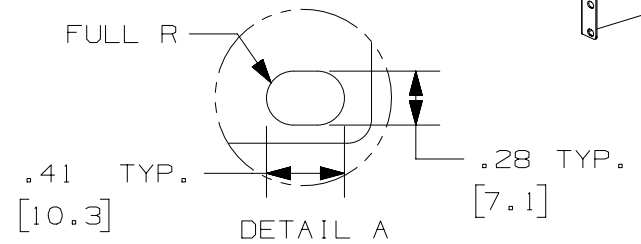


FRONT VIEW



SIDE VIEW

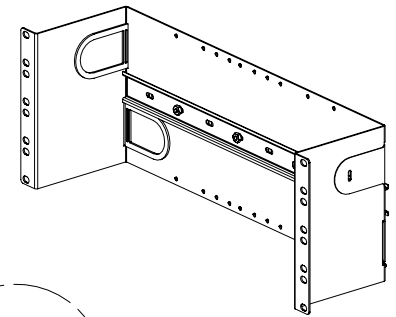
KNOCKOUTS FOR PASS THROUGH GROMMETS, 4 LOCATIONS



PANDUIT P/N	WEIGHT
IABDIN4	4.2 LBS 1.9 kg

NOTES:

- VISIT OUR ON-LINE CATALOG AT [WWW.PANDUIT.COM](http://WWW.PANDUIT.COM) FOR A CURRENT LIST OF PRODUCTS APPLICABLE FOR USE WITH THIS PART.
- COMPONENTS:
  - 1 - 19" x 4 RU EIA RACK PANEL
  - 2 - 35mm x 7.5mm DIN RAIL
  - 2 - CABLE PASS THROUGH GROMMETS
  - 1 - BAG OF (4) #12-24 MOUNT SCREWS
- DIMENSIONS IN PARENTHESES ARE IN METRIC.



REV	DATE	BY	CHK	APR	DESCRIPTION	ECN
00	1/25/18	MGH	EHA	JEFK	RELEASED TO PRODUCTION	00157NZZ

TITLE		19" x 4RU DIN RAIL PANEL IABDIN4 WITH TWO 16.75" DIN RAILS		
CUSTOMER DRAWING				
ITEM REVISION NAME		00157NZZ/00		
DATASET FILE NAME		00157NZZ_DC_00A		
UNLESS OTHERWISE SPECIFIED, DIMENSIONAL TOLERANCES ARE:		MATERIAL:		
INCHES	METRIC - MILLIMETER	ANGLE		
X.X +/- 0.03	X +/- 0.8	+/- 1°		
X.XX +/- 0.018	X.X +/- 0.46			
X.XXX +/- 0.007	X.XX +/- 0.18			
DRAWING NUMBER:		00157NZZ		
DRAWN BY	DATE	CHK	SCALE	SIZE
MGH	1/25/18	EHA	1:5	A