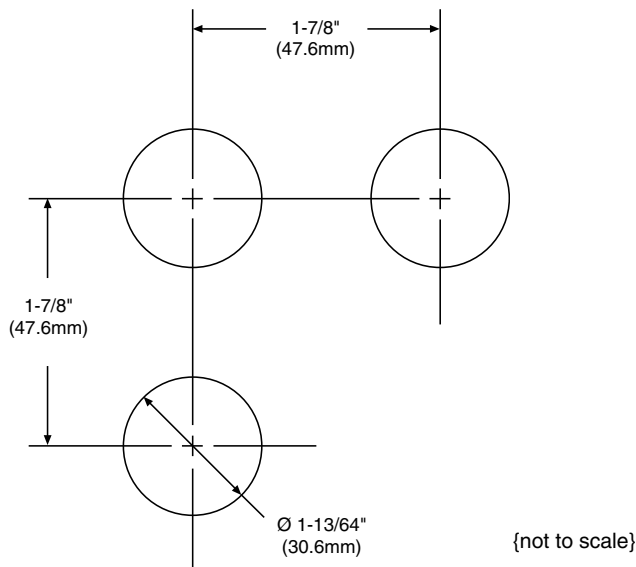
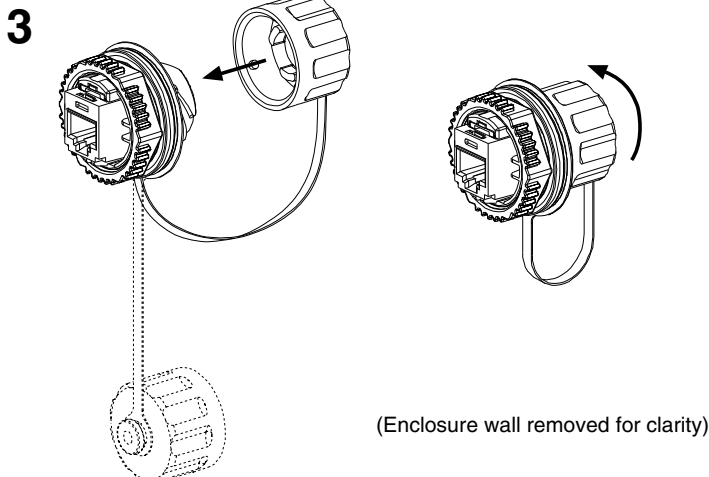
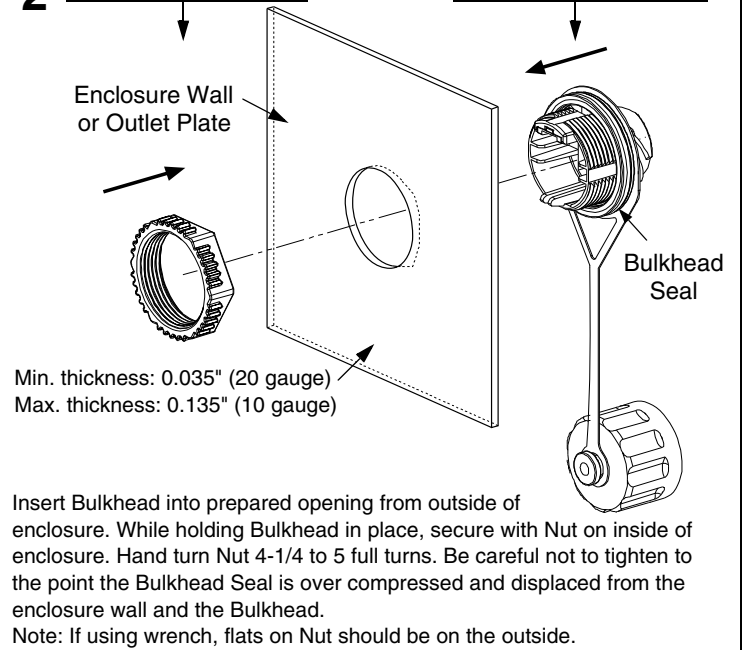


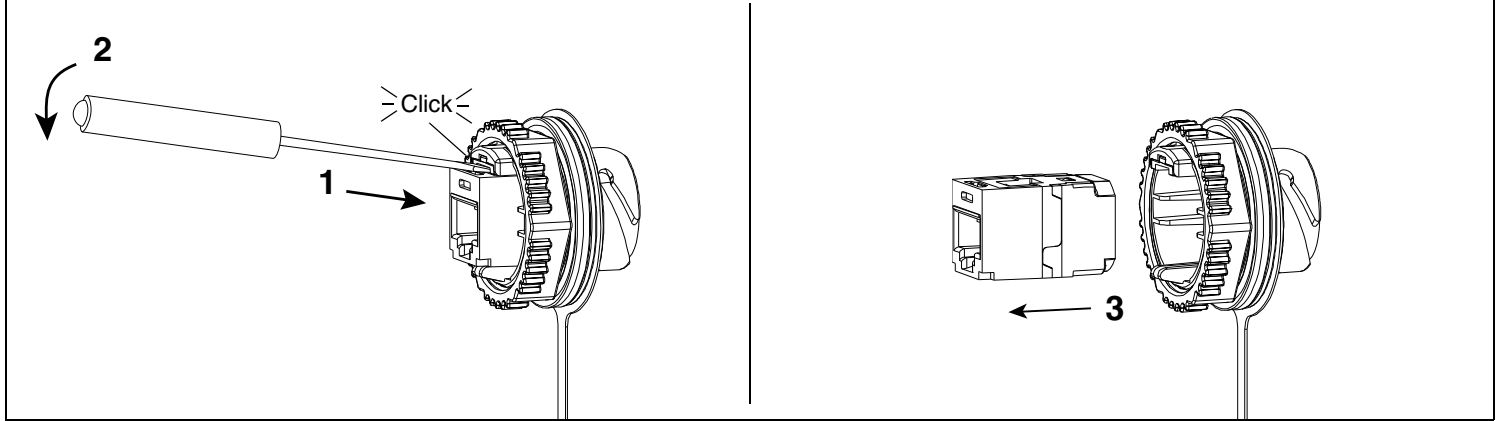
1 Bulkhead Opening Requirements



2 Inside of Enclosure Outside of Enclosure

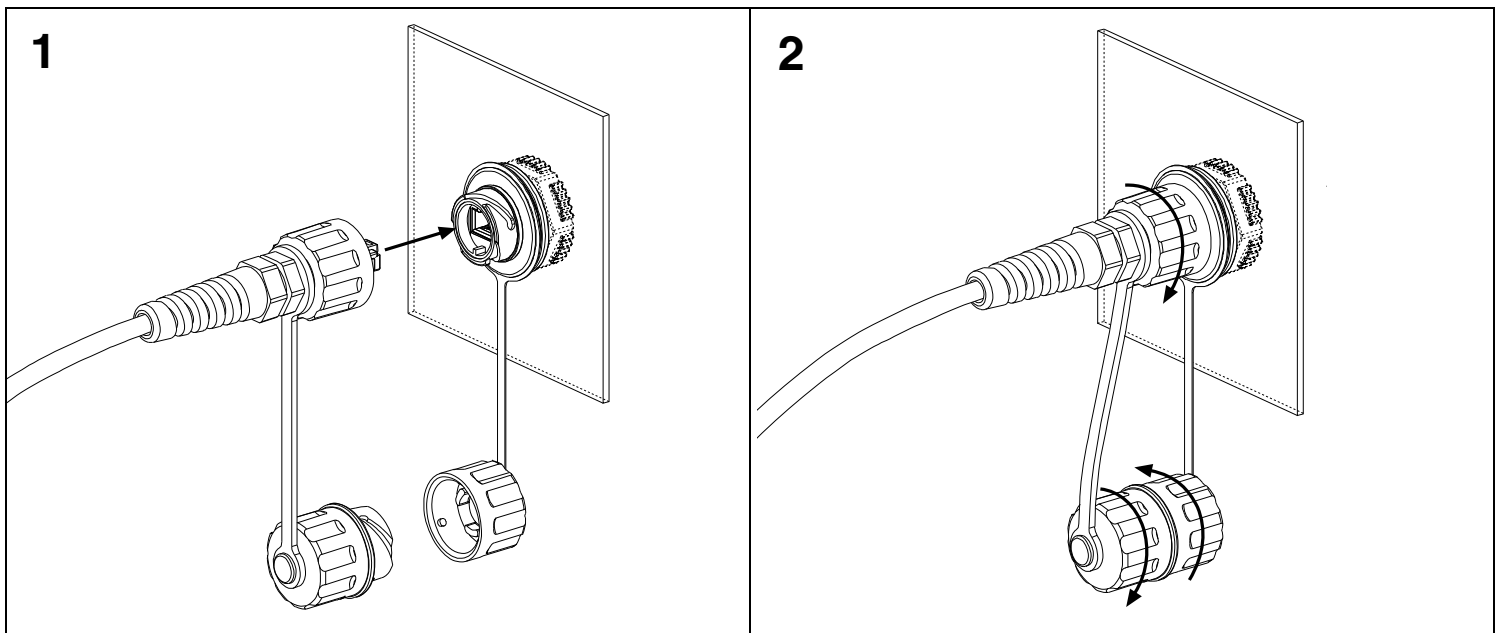
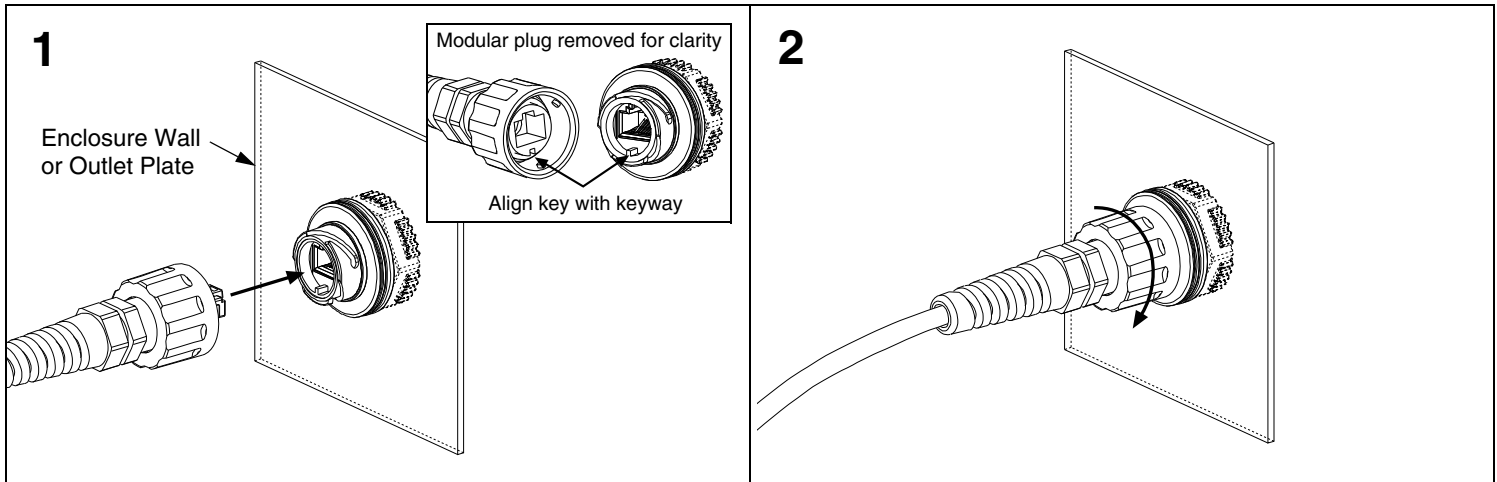


1 Coupler Removal Instructions



Installation for use with IndustrialNet Modular Plug

Note: Bulkhead combination must be used on a flat surface of a NEMA 4X Enclosure to maintain rating.



For Instructions in Local Languages
and Technical Support:
www.panduit.com/resources/install_maintain.asp

PANDUIT
www.panduit.com

E-mail:
techsupport@panduit.com
Phone:
866-405-6654