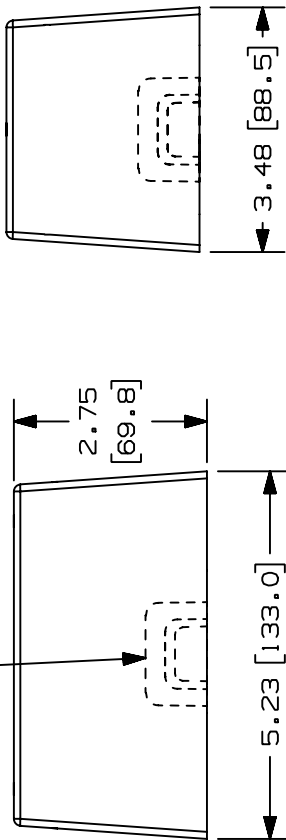
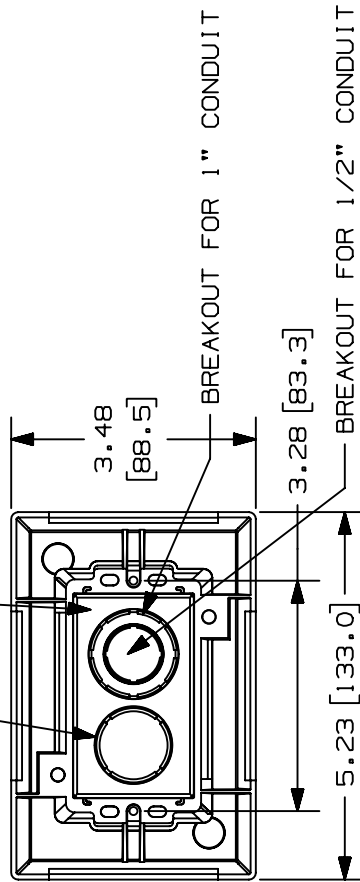


THIS COPY IS PROVIDED ON A RESTRICTED BASIS AND IS NOT TO BE USED IN ANY WAY DETRIMENTAL TO THE INTERESTS OF PANDUIT CORP.  
 NO WARRANTY, EXPRESSED OR IMPLIED, IS MADE BY PANDUIT WITH RESPECT TO ADHESIVE BOND PERFORMANCE. AMONG OTHER THINGS, THE CONDITIONS UNDER WHICH THESE MOUNTS MAY BE APPLIED AND/OR THE SURFACE TO WHICH THEY MAY BE APPLIED ARE BEYOND PANDUIT CONTROL.

LD STYLE BREAKOUTS ON EACH SIDE OF THE FOUR SIDE WALLS



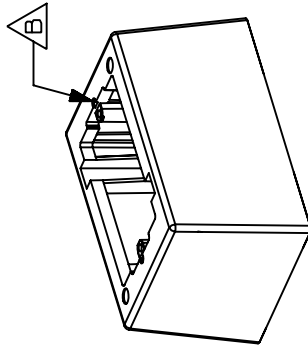
BREAKOUT FOR 3/4" CONDUIT CENTER RECTANGLE BREAKOUT FOR WALL BOX



PANDUIT P/N	WEIGHT
JBID-A	2.5 LB/10 PCS. (1141.6 G/10 PCS.)



- NOTES:
- SEE CURRENT CATALOG FOR ADDITIONAL PART SUFFIXES TO INDICATE COLOR AND OR PACKAGE QUANTITY.
  - ADHESIVE PRESSURE SENSITIVE FOAM .040 (1.0) THICK WITH PROTECTIVE LINER IS PROVIDED FOR EASE OF MOUNTING.
  - DIMENSIONS IN PARENTHESIS ARE IN METRIC.



WAS D35541DB\_JBID\_C\_00.PRT  
 D35541DP\_DC\_JBID\_00.PRT

CAO FILENAME/LAYERS

PANDUIT

CORP. TINLEY PARK, ILLINOIS  
 ONE PIECE JUNCTION BOX (JBID-A)  
 (DEEP)  
 CUSTOMER DRAWING

UNLESS OTHERWISE SPECIFIED,  
 DIMENSIONAL TOLERANCES ARE:  
 (.XX) ± .010(.3)  
 (.XXX) ± .010(.3)  
 (.XX) ± .03(.8) ANGLES ±

UNLESS OTHERWISE SPECIFIED,  
 ALL DIMENSIONS ARE GIVEN  
 IN INCHES, THIRD ANGLE PROJECTION.

DRAWN BY: PM  
 DATE: 10-15-96  
 CHK'D: CEF

MAT'L: POLYSTYRENE

SCALE: NONE

DRAWING NO.

35541-54

DWG

A

SIZE

REV	DATE	BY	CHK	DESCRIPTION	ECN	R	CUST	SUP
1	03-11-99	DW	HIW	35541-54 HIW			HIW	
R	10-15-96	PM	CEF	35541-54 CEF			CEF	
				RELEASED TO PRODUCTION				

C. MAT'L WAS ABS/POLYCARBONATE. D. CORRECTED BREAKOUTS.  
 A. REV'D PRODUCT WEIGHT. B. REV'D FEATURE WHERE NOTED.