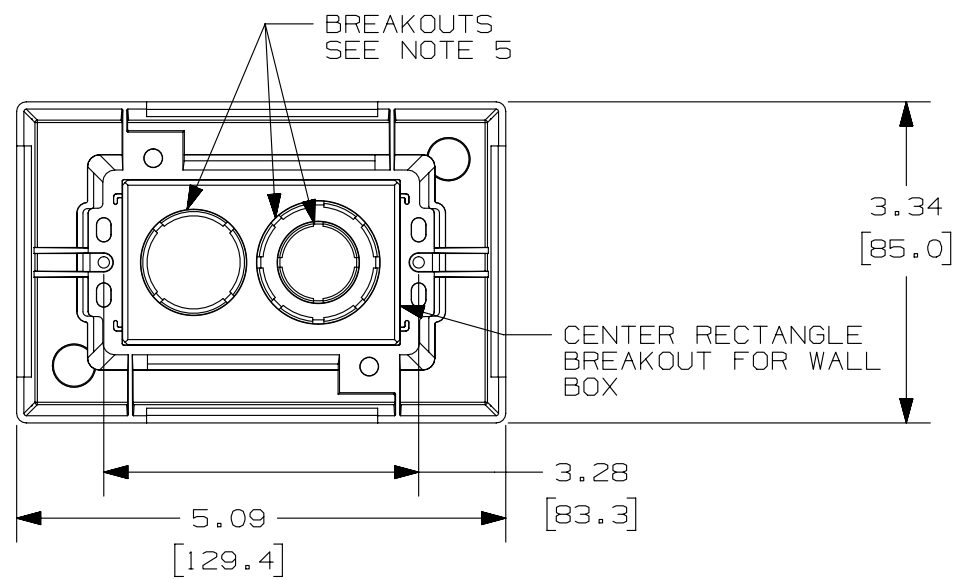
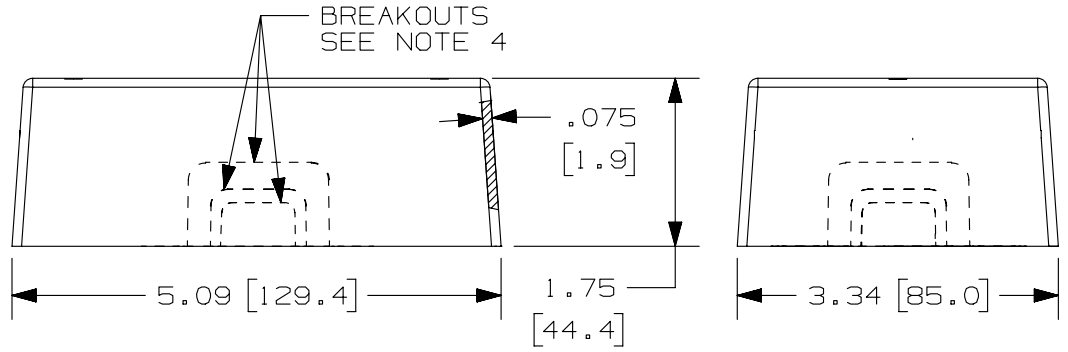


THIS COPY IS PROVIDED ON A RESTRICTED BASIS AND IS NOT TO BE USED IN ANY WAY DETRIMENTAL TO THE INTERESTS OF PANDUIT CORP.

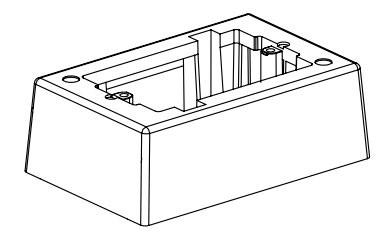
NO WARRANTY, EXPRESSED OR IMPLIED, IS MADE BY PANDUIT WITH RESPECT TO ADHESIVE BOND PERFORMANCE. AMONG OTHER THINGS, THE CONDITIONS UNDER WHICH THESE MOUNTS MAY BE APPLIED AND/OR THE SURFACE TO WHICH THEY MAY BE APPLIED ARE BEYOND PANDUIT CONTROL.

PANDUIT PART NUMBER	WEIGHT	VOLUME CU. IN./CC
JB1-A	0.17 LB [75.9 G]	22.9 [376]



NOTES:

1. SEE CURRENT CATALOG FOR ADDITIONAL PART SUFFIXES TO INDICATE COLOR AND OR PACKAGE QUANTITY.
2. ADHESIVE PRESSURE SENSITIVE FOAM .040 (1.0) THICK WITH PROTECTIVE LINER IS PROVIDED FOR EASE OF MOUNTING.
3. DIMENSIONS IN PARENTHESIS ARE IN METRIC.
4. BREAKOUTS ARE PROVIDED FOR LDS, LD & LDPH RACEWAYS.
5. BEAKOUTS TO ACCOMODATE CONDUIT SIZES OF 1/2" 3/4" & 1" DIAMETERS.



A

A

TITLE		ONE PIECE JUNCTION BOX JB1-A		
		CUSTOMER DRAWING		
ITEM REVISION NAME		D35541DQ/00		
DATASET FILE NAME		D35541DQ_DC_JB1/00C		
UNLESS OTHERWISE SPECIFIED, DIMENSIONAL TOLERANCES ARE: IN (mm)		PANDUIT		
.X ± .XX ± .03 [.8]				
.XXX ± ANGLES ±		MATERIAL: POLYSTYRENE		
DRAWN BY PM		DATE 10-15-96		DRAWING NUMBER: 35541-53
CHK CEF		SCALE NONE		THIRD ANGLE PROJECTION
REV	DATE	BY	CHK	APR
3	02-21-13	JBN	RTFI	RTFI
DESCRIPTION				ECN
G. UPDATED DRAWING BORDER & TITLE BLOCK				35541-53
SHT 1 OF 1				SIZE A

D10100DA/14