

THIS COPY IS PROVIDED ON A RESTRICTED BASIS AND IS NOT TO BE USED IN ANY WAY DETRIMENTAL TO THE INTERESTS OF PANDUIT CORP.

WIRE SIZE	NUMBER OF WIRES	NUMBER OF ADDITIONAL WIRES OF ONE SIZE			
		#22 AWG [0,5 mm <sup>2</sup> ]	#20 AWG [0,75 mm <sup>2</sup> ]	#18 AWG [1,0 mm <sup>2</sup> ]	#16 AWG [1,5 mm <sup>2</sup> ]
#22 AWG [0,5 mm <sup>2</sup> ]	1	1-4	1-3	1-2	1
	2	1-3	1-2	1-2	1
	3	1-2	1	1	1
	4	1	0	0	0
#20 AWG [0,75 mm <sup>2</sup> ]	1	1-3	1-3	1-2	1
	2	1-2	1-2	1	1
	3	1	1	0	0
#18 AWG [1,0 mm <sup>2</sup> ]	1	1-3	1-2	1-2	1
	2	1-2	1	1	0
#16 AWG [1,5 mm <sup>2</sup> ]	1	1-3	1-2	1	1
#14 AWG [2,5 mm <sup>2</sup> ]	1	1	1	0	0

NOTES:

1. USED FOR:

- A. SOLID OR STRANDED COPPER WIRE
- B. 221°F [105°C] MAX. OPERATING TEMPERATURE
- C. 600V. MAX. BLDG WIRE (1000 V. MAX. IN SIGNS, FIXTURES & LUMINAIRES)
- D. SEE CHART FOR WIRE COMBINATIONS

2. INSTALLATION TOOLS:

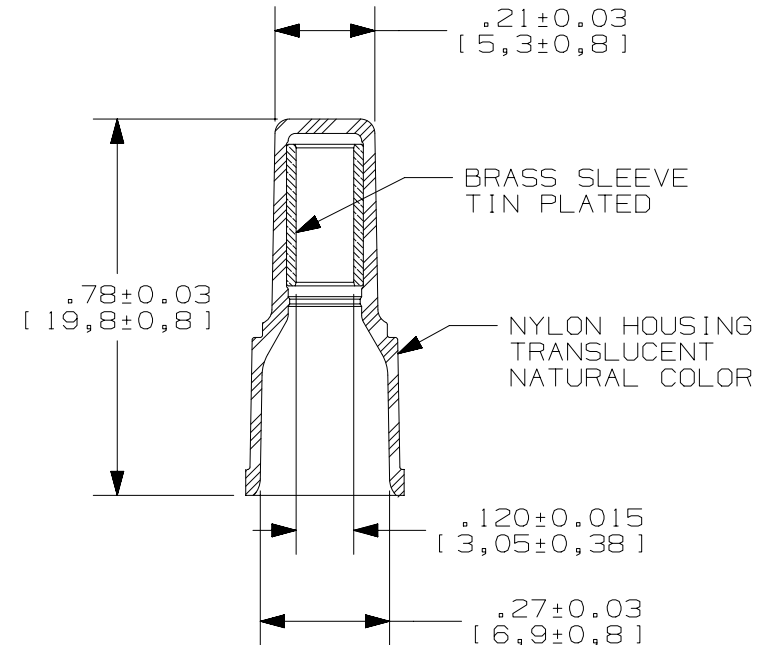
- A. UL LISTED AND CSA CERTIFIED: CT-100A, CT-1550, CT-1551, CT-2400 (CT-2455CH), CT-2500 (CT-2550CH), CT-600-A (CT-550CH)
- B. PANDUIT APPROVED: CT-160, CT-260, CT-400, CT-460

3. WIRE STRIP LENGTH: 7/16" <sup>+1/32</sup>/<sub>-0</sub> [11,1 mm <sup>+0,8</sup>/<sub>-0</sub>]

4. SEE [www.panduit.com](http://www.panduit.com) FOR PACKAGE QUANTITIES, INDICATED BY PART NUMBER SUFFIX

5. DIMENSIONS IN BRACKETS ARE METRIC EQUIVALENT

6. TWIST ENDS OF STRIPPED WIRE TOGETHER BEFORE INSERTING INTO WIRE JOINT



LISTED  
587H  
E52164



CERTIFIED  
LR31212

TITLE		NYLON INSULATED WIRE JOINT JN218-216 CUSTOMER DRAWING	
ITEM REVISION NAME		N41342BA/07	
DATASET FILE NAME		N41342BA_DC/07A	
UNLESS OTHERWISE SPECIFIED, DIMENSIONAL TOLERANCES ARE: IN [mm]		MATERIAL:	
.x ± .1 [2.54] .xx ± .03 [.76]		SEE NOTES	
.xxx ± .005 [.127] ANGLES ± 5°		DRAWING NUMBER: A41342	
THIRD ANGLE PROJECTION			
DRAWN BY	DATE	CHK	SCALE
DAW	-		N.T.S.
SHEET 1 OF 1		A	

D10100DA/12

REV	DATE	BY	CHK	APR	DESCRIPTION	ECN
07	06.02.15	TMR	TMR	RGB	ADDED TOLERANCE TO DWG, MOVED MATERIAL INFO TO DIAGRAM	N41342BA-DC
06	07.18.12	BDK	LCA	VMB	ADDED METRIC EQUIVALENTS. REVISED INSTALLATION TOOLS NOTE. BROUGHT DRAWING TO CURRENT STANDARDS.	N41342BA-DC