

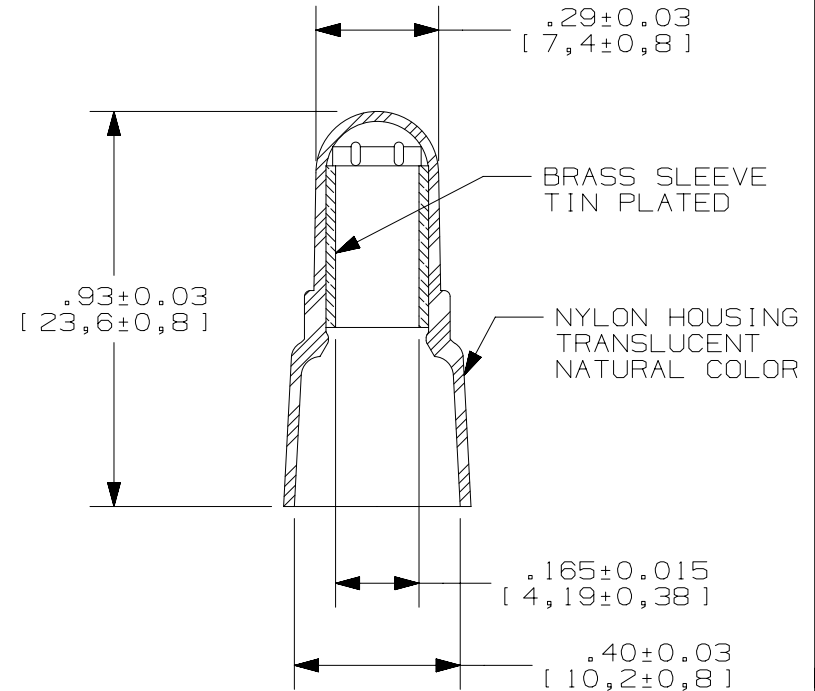
THIS COPY IS PROVIDED ON A RESTRICTED BASIS AND IS NOT TO BE USED IN ANY WAY DETRIMENTAL TO THE INTERESTS OF PANDUIT CORP.

| WIRE SIZE | NUMBER OF WIRES | NUMBER OF ADDITIONAL WIRES OF ONE SIZE | | | |
|----------------------------------|-----------------|--|--------------------------------|--------------------------------|--------------------------------|
| | | #18 AWG [1,0 mm ²] | #16 AWG [1,5 mm ²] | #14 AWG [2,5 mm ²] | #12 AWG [4,0 mm ²] |
| #18 AWG [1,0 mm ²] | 1 | 3-6 | 2-5 | 2-3 | 1 |
| | 2 | 2-5 | 2-4 | 1-2 | 1 |
| | 3 | 1-4 | 1-3 | 1-2 | 1 |
| | 4 | 1-3 | 1-3 | 1-2 | 1 |
| | 5 | 1-2 | 1-2 | 1 | 0 |
| | 6 | 1 | 1 | 1 | 0 |
| #16 AWG [1,5 mm ²] | 1 | 3-6 | 2-4 | 1-2 | 1 |
| | 2 | 1-5 | 1-3 | 1-2 | 1 |
| | 3 | 1-4 | 1-2 | 1 | 1 |
| | 4 | 1-2 | 1 | 1 | 0 |
| | 5 | 1 | 0 | 0 | 0 |
| #14 AWG [2,5 mm ²] | 1 | 2-6 | 1-4 | 1-2 | 1 |
| | 2 | 1-4 | 1-2 | 1 | 1 |
| | 3 | 1 | 0 | 0 | 0 |
| #12 AWG [4,0 mm ²] | 1 | 1-4 | 1-3 | 1-2 | 1 |
| * #10 AWG [6,0 mm ²] | 1 | 1-2 | 1 | 1 | 0 |

*COMBINATIONS WITH #10AWG ARE NOT UL/CSA

NOTES:

- UL LISTED AND CSA CERTIFIED FOR:
 - SOLID OR STRANDED COPPER WIRE #18AWG - #12AWG
 - 221°F [105°C] MAX. OPERATING TEMPERATURE
 - 600V. MAX. BLDG WIRE (1000 V. MAX. IN SIGNS, FIXTURES & LUMINAIRES)
 - SEE CHART FOR WIRE COMBINATIONS
- INSTALLATION TOOLS:
 - UL LISTED AND CSA CERTIFIED: CT-100A, CT-1550, CT-1551, CT-2400, CT-2500 (CT-2550CH), CT-600-A (CT-550CH)
 - PANDUIT APPROVED: CT-160, CT-260, CT-400, CT-460
- WIRE STRIP LENGTH: 1/2" ^{+1/32}₋₀ [12,7mm ^{+0,8}₋₀]
- SEE www.panduit.com FOR PACKAGE QUANTITIES, INDICATED BY PART NUMBER SUFFIX
- DIMENSIONS IN BRACKETS ARE METRIC EQUIVALENT
- TWIST ENDS OF STRIPPED WIRE TOGETHER BEFORE INSERTING INTO WIRE JOINT



LISTED
587H
E52164



CERTIFIED
LR31212

| | | | | |
|--|----------|---|-------|--------|
| TITLE | | NYLON INSULATED WIRE JOINT JN418-212 | | |
| ITEM REVISION NAME | | CUSTOMER DRAWING | | |
| DATASET FILE NAME | | N41343BA_08 | | |
| UNLESS OTHERWISE SPECIFIED, DIMENSIONAL TOLERANCES ARE: IN [mm] | | | | |
| .x ± .1 [2.54] | | .xxx ± .005 [.127] | | |
| .xx ± .03 [.76] | | ANGLES ± 5 ° | | |
| DRAWING NUMBER: | | A41343 | | |
| REV | DATE | BY | CHK | APR |
| 08 | 05.11.15 | TMR | TMR | RGB |
| 07 | 07.19.12 | BDK | LCA | VMB |
| DESCRIPTION | | ECN | | |
| SLEEVE ID WAS .170, ADDED TOLERANCES TO DIMENSIONS | | N41343BA-DC | | |
| ADDED METRIC EQUIVALENTS. REVISED INSTALLATION TOOLS NOTE. BROUGHT DRAWING TO CURRENT STANDARDS. | | N41343BA-DC | | |
| DAW | - | CHK | SCALE | N.T.S. |
| SHEET 1 OF 1 | | A | | |

D101000DA/12