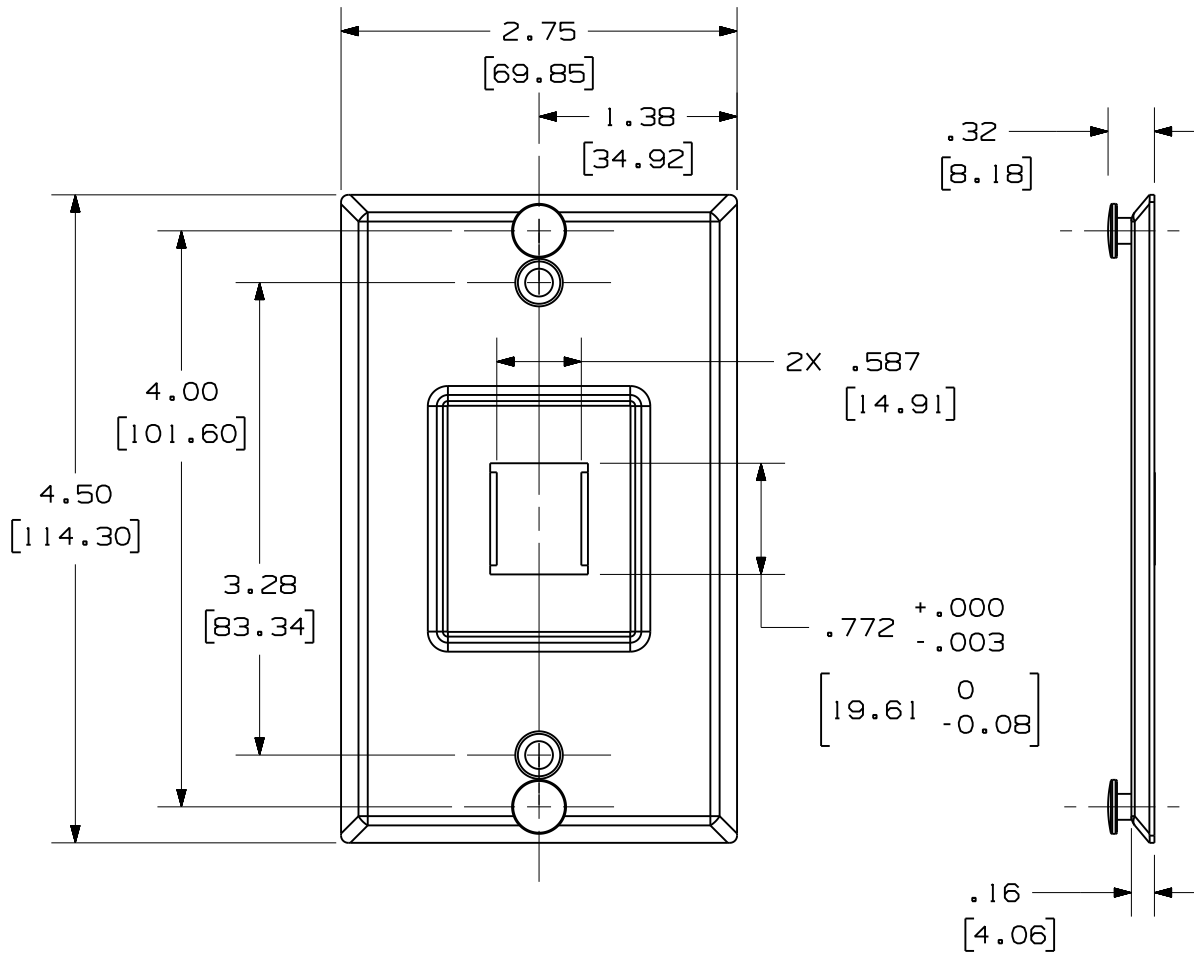
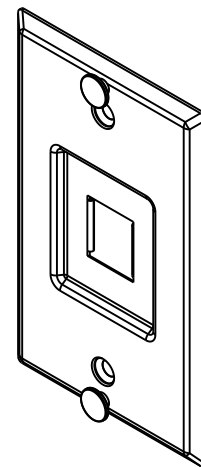


THIS COPY IS PROVIDED ON A RESTRICTED BASIS AND IS NOT TO BE USED IN ANY WAY DETRIMENTAL TO THE INTERESTS OF PANDUIT CORP.



PANDUIT P/N	WEIGHT
KWPY	1.282 LB/10 PCS [581.4 g/10 PCS]

- NOTES:  
 1. SEE CATALOG FOR COMPLETE LIST OF PARTS APPLICABLE FOR USE WITH THIS PART.  
 2. DIMENSIONS IN BRACKETS ARE METRIC.  
 3. CONTAINS:  
 1 - STAINLESS STEEL PHONE PLATE  
 2 - MOUNTING SCREWS

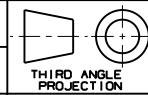


MODEL FILENAME	10M188BA/05	SIZE	A
DRAWING FILENAME	10M188BB_DC02/00A		

STAINLESS STEEL PHONE PLATE  
CUSTOMER DRAWING



I.I. NUMBER	NS-605
PRODUCT SPEC/ PKG SPEC	NS-389



ALL DIMENSIONS ARE GIVEN IN INCHES, UNLESS OTHERWISE SPECIFIED.  
 DIMENSIONAL TOLERANCES ARE:  
 (.X) ± .03 / .76mm (.XXX) ± .005 / .13mm  
 (.XX) ± .01 / .25mm ANGLES ± 2°

ASSY METHOD/ TEST METHOD	
SCALE	FULL

DRAWN BY	LZ	REVIEW DRAWING NUMBERS	PART NO.	KWPY
DATE	10-26-11	MAT'L	DRAWING NO.	10M188BB-02
CHK'D				

REV	DATE	BY	CHK	DESCRIPTION	ECN	R	CUST	SUP	OTH
R	10-26-11	LZ		RELEASED TO PRODUCTION	10M188BB-02				