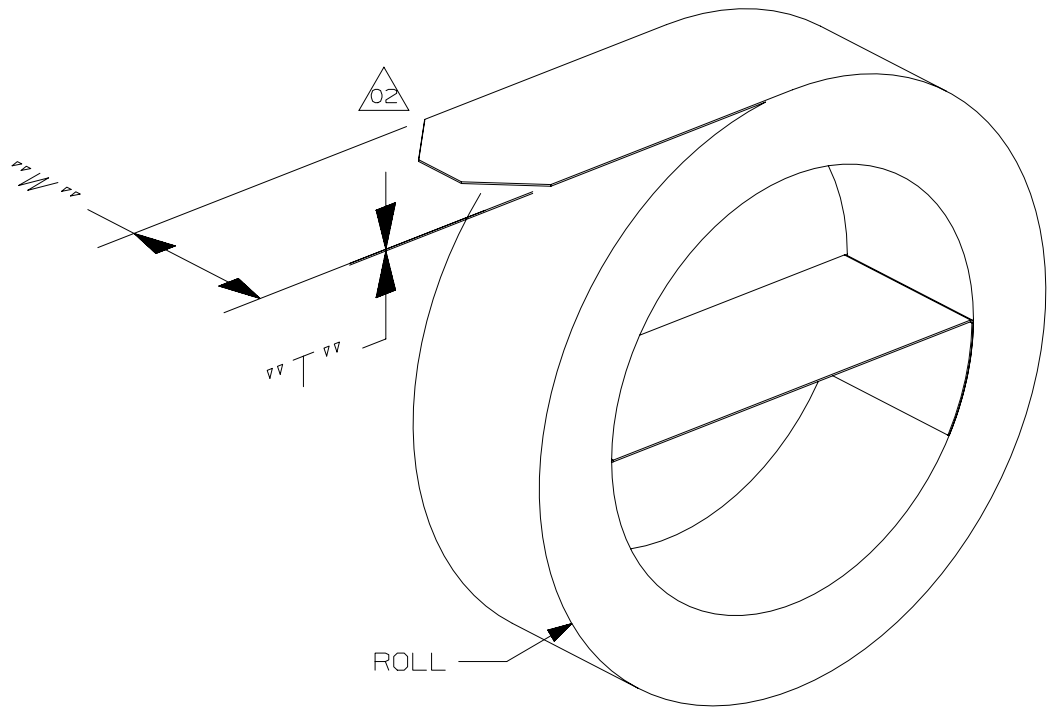


THIS COPY IS PROVIDED ON A RESTRICTED BASIS AND IS NOT TO BE USED IN ANY WAY DETRIMENTAL TO THE INTERESTS OF PANDUIT CORP.

PANDUIT PART NO.	PKG.QTY.	CTN.QTY.	TAPE MATERIAL	"W" (WIDTH)	"T" (THICKNESS)	ROLL LENGTH
META-X	10 ROLLS	40 ROLLS	ALUMINUM	.495"±.010" [ 12.6±.25 ]	.006"±.0005" [ .15±.01 ]	16 ft. 4.88 meters
METS4-X	10 ROLLS	40 ROLLS	304 GRADE STAINLESS STEEL	.495"±.010" [ 12.6±.25 ]	.005"±.0005 [ .12±.01 ]	21 ft. 6.4 meters
METS3-X	10 ROLLS	40 ROLLS	316 GRADE STAINLESS STEEL	.495"±.010" [ 12.6±.25 ]	.005"±.0005 [ .12±.01 ]	21 ft. 6.4 meters



NOTE:

1. TAPE USED WITH PANDUIT EMBOSsing TOOL PART NO.MEHT.
2. BRACKETS [ ] DENOTES DIMENSION IN MILLIMETERS.

REV	DATE	BY	CHK	APR	DESCRIPTION	ECN
02	11/16/18	RVU	ANRO	JHAC	ADDED 45° CHAMFERS ON BOTH SIDES OF TAPE.	GAECN04726
01A	6/06	MIM	DKB	JJB	REVISED WIDTH DIMENSION	SS00189
00A	12/04	JMMR	EJD	JJB	DRAWING RELEASE.	12339

TITLE		ACCESSORY TAPE FOR MEHT PANDUIT EMBOSsing TOOL	
CUSTOMER DRAWING			
ITEM REVISION NAME		N41206BS/03	
DATASET FILE NAME		N41206BS_DC/03B	
UNLESS OTHERWISE SPECIFIED, DIMENSIONAL TOLERANCES ARE: IN (mm)			
.x ± .1 [ 2.54 ]      .xxx ± .005 [ .127 ] .xx ± .01 [ .25 ]      ANGLES ± 5 °			
DRAWING NUMBER:		N41206BS_DC	
DRAWN BY	DATE	CHK	SCALE
JAMB	12/04	EJD	4:1
SHT 1 OF 1			SIZE A