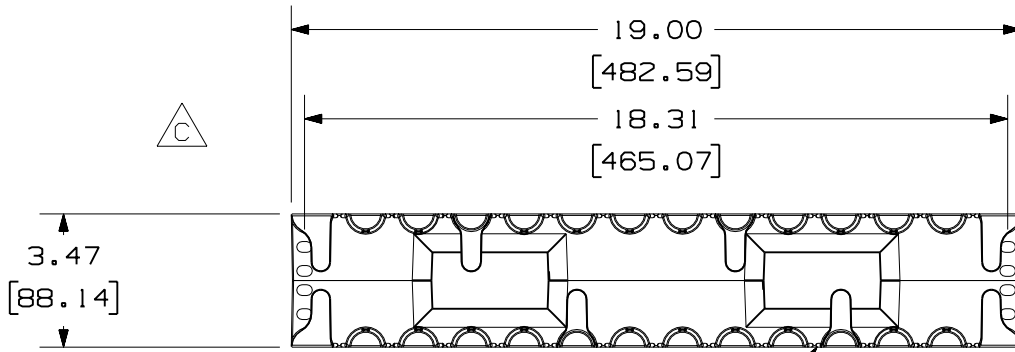
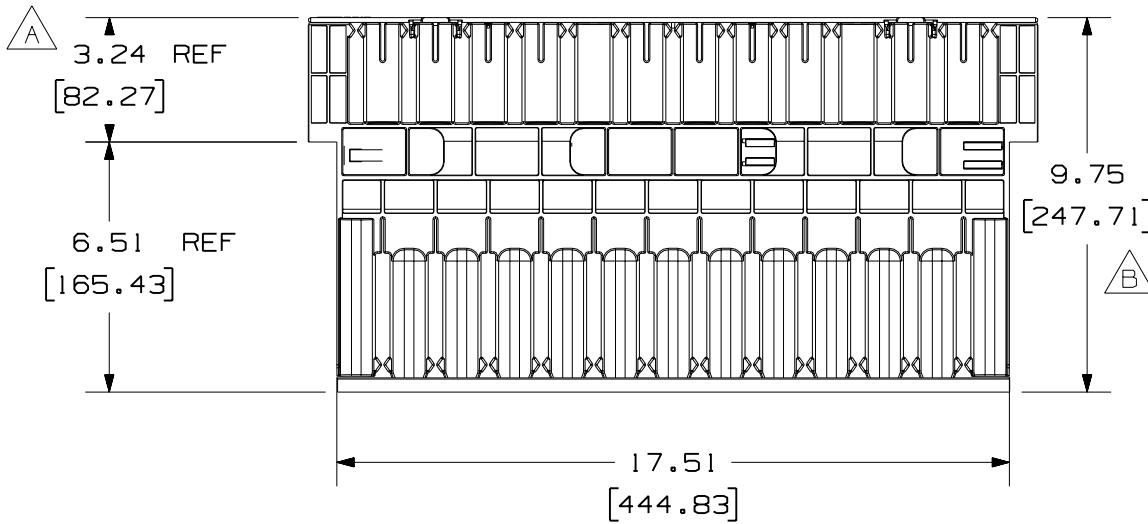


THIS COPY IS PROVIDED ON A RESTRICTED BASIS AND IS NOT TO BE USED IN ANY WAY DETRIMENTAL TO THE INTERESTS OF PANDUIT CORP.



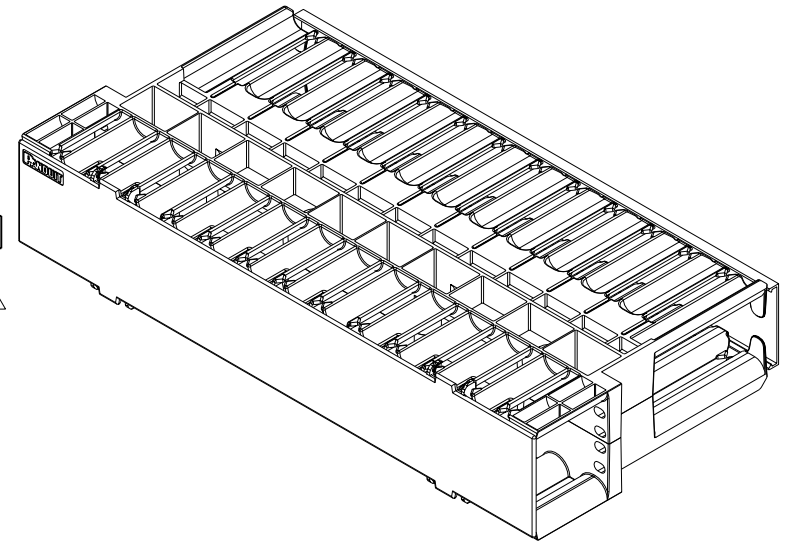
COVER REMOVED FOR CLARITY



PANDUIT P/N	WEIGHT
NCMH2	2.83 LB/EACH (1283.7 g/EACH)

NOTES:

1. THIS CABLE MANAGER IS DESIGNED FOR MOUNTING TO 19" (482) UNIVERSAL RACKS.
2. EACH MANAGER IS SUPPLIED WITH FOUR (4) COMBINATION SLOTTED ROUND HEAD SCREWS 12-24 X 3/4" LONG.
3. DIMENSIONS IN PARENTHESES ARE IN METRIC.



CAD FILENAME/LAYERS M00787BP\_DC\_00B.PRT

**PANDUIT** CORP. TINLEY PARK, ILLINOIS  
 HORIZONTAL NETWORK CABLE  
 MANAGER, 2 RACK UNIT (NCMH2)  
 CUSTOMER DRAWING

UNLESS OTHERWISE SPECIFIED,  
 DIMENSIONAL TOLERANCES ARE:  
 (.X) ± (.XXX) ±.010(.3)  
 (.XX) ±.03(.8) ANGLES ±

UNLESS OTHERWISE SPECIFIED,  
 ALL DIMENSIONS ARE GIVEN  
 IN INCHES, THIRD ANGLE PROJECTION.

DRAWN BY  
KLGO

MAT'L:

SCALE  
NONE

DATE  
10-11-00

MANAGER: PC  
 FRONT COVER: PC  
 REAR COVER: PVC

DRAWING NO.  
00787-07

DWG  
A  
SIZE

REV	DATE	BY	CHK	DESCRIPTION	ECN	CHK	CUST	SUP
I	2-16-07	MLVO		C. DELETED DIMENSION. B. ADDED DIMENSION. A. ALTERED DIMENSION CONSTRAINTS.	00787-07			
R	10-11-00	KLGO	MJM	RELEASED TO PRODUCTION.	00787-07	MJM	MJM	