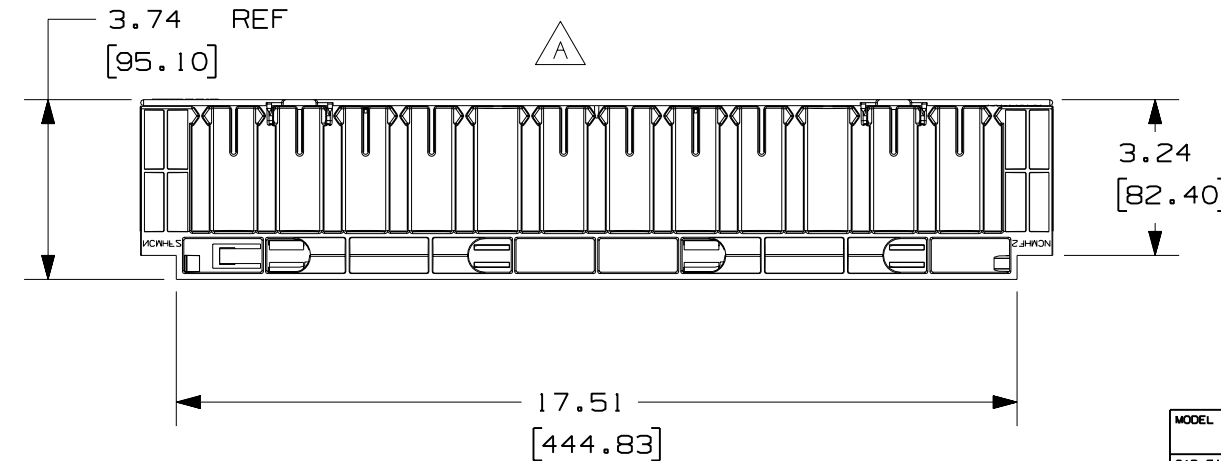
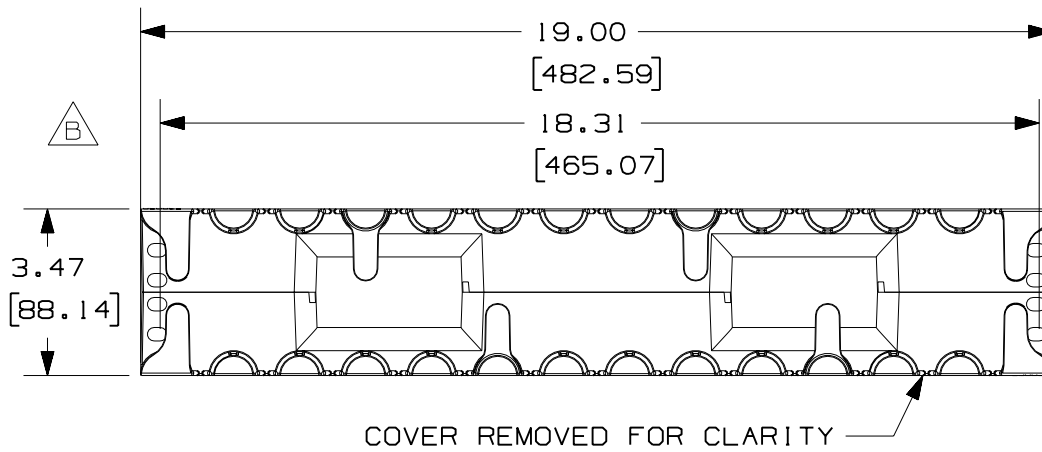


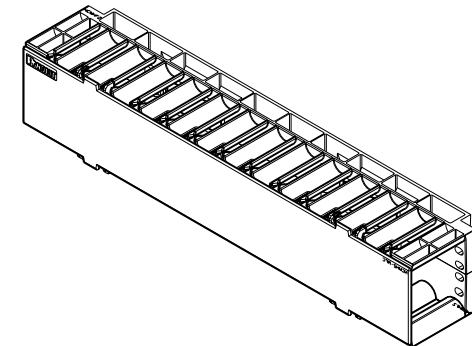
THIS COPY IS PROVIDED ON A RESTRICTED BASIS AND IS NOT TO BE USED IN ANY WAY DETRIMENTAL TO THE INTERESTS OF PANDUIT CORP.



NOTES:

- SEE CATALOG FOR COMPLETE LIST OF PARTS APPLICABLE FOR USE WITH THIS PRODUCT.
- COMPONENTS:
 - (1) BASE
 - (1) HINGED COVER (NCMH2-REC)
 - (4) 12-24 X 1" SCREWS
- DIMENSIONS IN PARENTHESIS ARE IN METRIC.

PANDUIT P/N	WEIGHT
NCMHF2	.84 LB/EACH (381.02g/EACH)



MODEL FILENAME		M00787AD_NCMHF2_ASSY_00A.PRT	
CAD FILENAME/LAYERS		M00787AD_DC_00B.PRT	
<h1>PANDUIT</h1> CORP. TINLEY PARK, ILLINOIS			
HORIZONTAL NETWORK CABLE MANAGER 2 RU FRONT (NCMHF2) CUSTOMER DRAWING			
UNLESS OTHERWISE SPECIFIED, DIMENSIONAL TOLERANCES ARE:		UNLESS OTHERWISE SPECIFIED, ALL DIMENSIONS ARE GIVEN IN INCHES, THIRD ANGLE PROJECTION.	
(.X) ± .03 (.XXX) ± .005		SCALE 1 : 4	
(.XX) ± .01 ANGLES ± 1°		DRAWING NO. 00787-10	
DRAWN BY	MAT'L:	SEE NOTES	DWG SIZE
JDWE			A
DATE			
7-19-01			
CHK'D			
SJA			

REV	DATE	BY	CHK	DESCRIPTION	ECN	R	CUST	SUP	OTH
I	2-16-07	MLVO		B. ADDED AND ALTERED DIMENSIONS AND DESCRIPTIONS. A. TOP VIEW REPLACED BY BOTTOM VIEW WITH COVER.	00787-10				
R	7-19-01	JDWE	SJA	RELEASE TO PRODUCTION	00787-10		SJA	SJA	